

*Shock absorber S46HR1C1S Yamaha Niken*

**YA 7981**

*Spare Parts List*



## SAFETY PRECAUTIONS

### **⚠ Warning!**

The shock absorber/front fork/steering damper is an important part of the vehicle and will affect the stability.

### **⚠ Warning!**

After installing the Öhlins product, take a test ride at low speed to make sure your vehicle has maintained stability.

### **⚠ Warning!**

Some of Öhlins products contain pressurized nitrogen gas (N<sub>2</sub>). Do not open, service or modify pressurized products without proper education (approved Öhlins dealer/distributor) and proper tools.

### **👁 Note!**

Read and ensure you understand the information in this manual and other technical documents provided by Öhlins, before you use the product.

### **👁 Note!**

Öhlins Racing AB can not be held responsible for any damage to the shock absorber/front fork/steering damper, vehicle, other property or injury to persons, if the instructions for mounting, usage and maintenance are not obeyed.

### **⚠ Warning!**

If the suspension makes an abnormal noise, or the function is irregular, or if you notice any leakage from the product, stop the vehicle immediately and return the product to an Öhlins Service Centre.

### **⚠ Warning!**

The product warranty shall only apply if the product has been operated and maintained in accordance with recommendations in this manual. If you have any questions regarding usage, service, inspection and/or maintenance contact Öhlins.

### **👁 Note!**

When working with the Öhlins product, read the Vehicle Service Manual.

### **⚠ Warning!**

This product was developed and designed exclusively for a specific vehicle model and shall only be installed on the intended vehicle model in its original condition as delivered from the vehicle manufacturer.

## Contents

Figure 1 - Shock absorber body .....	3
Figure 2 - Shaft assembly .....	4
Figure 3 - Cylinder head .....	5
Figure 4 - Reservoir assembly .....	5
Figure 5 - Hose assembly .....	6
Figure 6 - Hydraulic preload adjuster .....	7
Figure 7 - Compression adjuster .....	8

## SAFETY SYMBOLS

In this manual, mounting instructions and other technical documents, important information concerning safety is distinguished by the following symbols:



The Safety Alert Symbol means: Warning! Your safety is involved.

### **⚠ Warning!**

The Warning Symbol means: Failure to follow warning instructions can result in severe or fatal injury to anyone working with, inspecting or using the shock absorber, or to bystanders.

### **👉 Caution!**

The Caution Symbol means: Special precautions must be taken to avoid damage to the shock absorber.

### **👁 Note!**

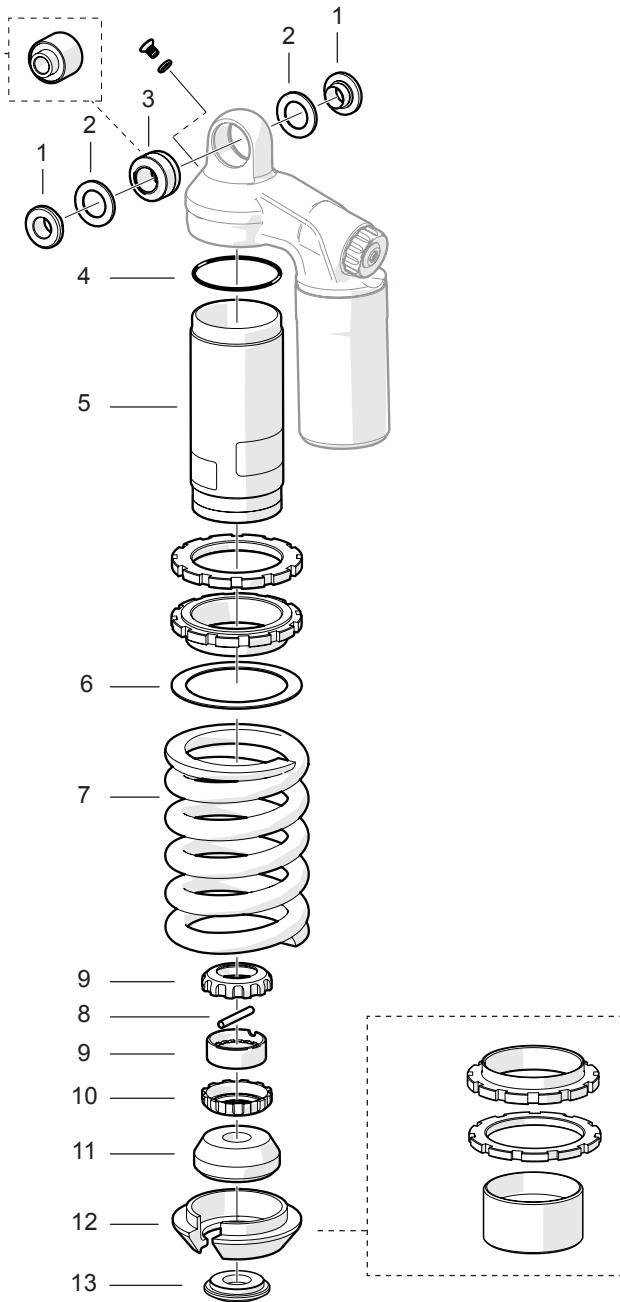
The Note Symbol indicates information that is important regarding procedures.

© Öhlins Racing AB. All rights reserved.

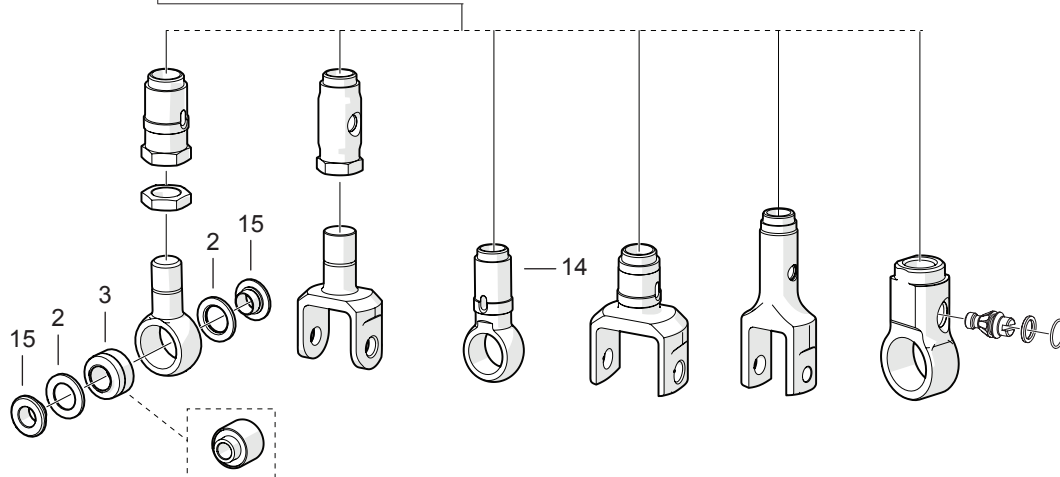
Any reprinting or unauthorized use without the written permission of Öhlins Racing AB is prohibited.

# SPL YA7981

Figure 1 - Shock absorber body

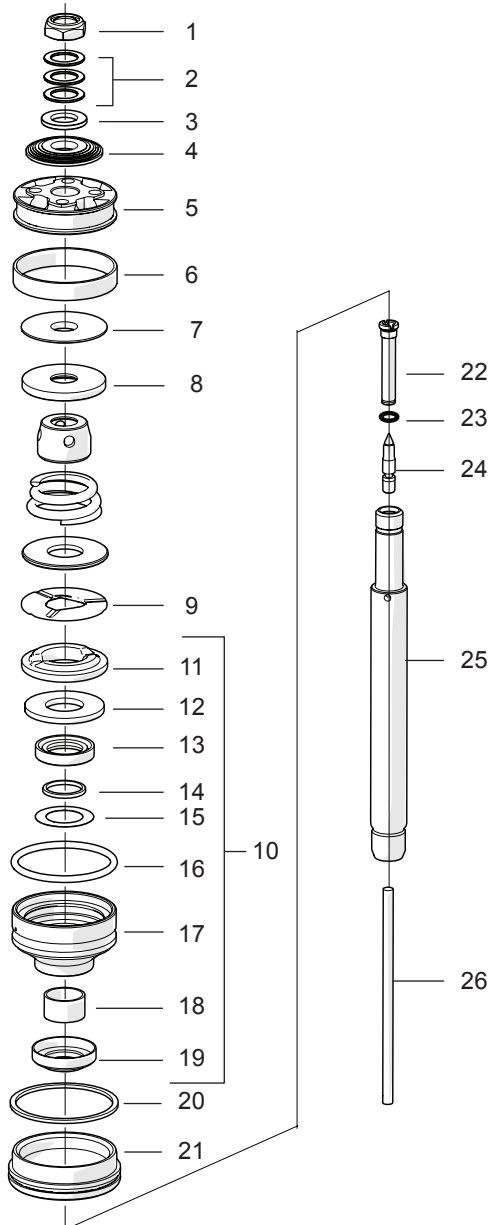
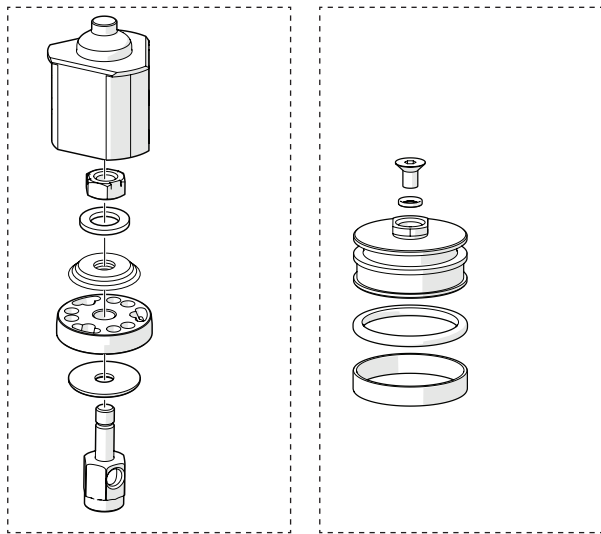


Pos	Part No	Pcs	Description	Notes
1-1	01218-12	2	Spacer, ball joint	
1-2	00534-01	4	Seal ball joint	
1-3	00536-13	2	Ball joint	
1-4	00338-37	1	O-ring	
1-5	04210-11	1	Cyl. tube	
1-6	00543-01	1	Washer	
1-7	01092-41	1	Spring	
1-8	01016-01	2	Seal rebound adj.	
1-9	01030-01	1	Pin	
1-10	01128-01	1	Adjuster	
1-11	00563-03	1	Bump rubber	
1-12	00516-01	1	Spring clip	
1-13	61017-01	1	Stop washer	
1-14	01054-02	1	End eye	
1-15	01218-10	2	Spacer, ball joint	



# SPL YA7981

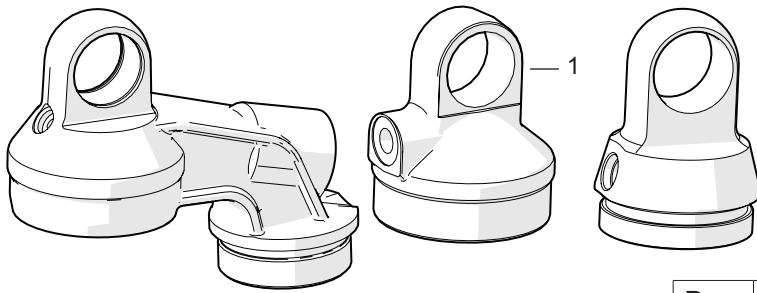
Figure 2 - Shaft assembly



Pos	Part No	Pcs	Description	Notes
2-1	00539-01	1	Lock nut	
2-2	00578-01	3	Washer	
2-3	00519-05	1	Valve stop	
2-4	-	-	Shim stack	See spec. card
2-5	01114-14	1	Piston	
2-6	00541-01	1	Piston ring	
2-7	-	-	Shim stack	See spec. card
2-8	00519-04	1	Valve stop	
2-9	01069-02	1		
2-9	06098-01	1	Bleed washer	
2-10	05129-09	1	Seal head assy	
2-11	03067-03	1	Stop rubber	
2-12	04752-03	1	Washer	
2-13	04717-03	1	Seal	
2-14	01032-23	1	Back up ring	
2-15	04729-04	1	Shim	
2-16	00338-46	1	O-ring	
2-17	05122-06	1	Seal head	
2-18	01056-14	1	Bushing	
2-19	01031-02	1	Scraper	
2-20	00575-01	1	Circlip	
2-21	01065-31	1	End cap	
2-22	05665-18	1	Shaft jet	
2-23	00338-14	1	O-ring	
2-24	05655-04	1	Adj. needle	
2-25	05500-07	1	Shaft	
2-26	00566-56	1	Adj. shaft	

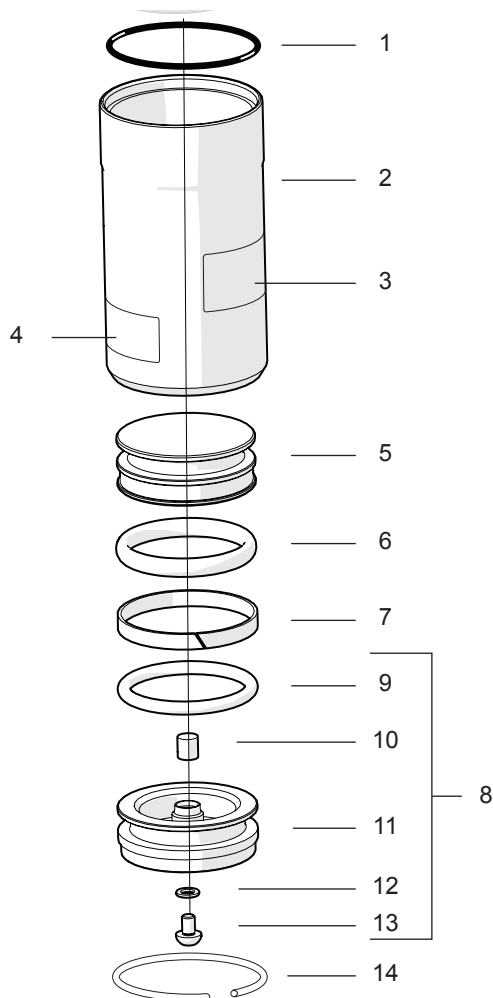
# SPL YA7981

**Figure 3 - Cylinder head**



Pos	Part No	Pcs	Description	Notes
3-1	20570-01	1	Cylinder head	

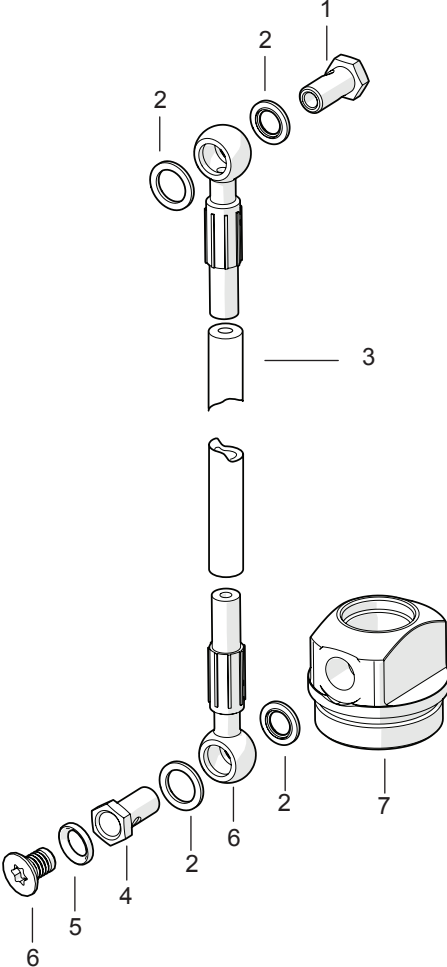
**Figure 4 - Reservoir assembly**



Pos	Part No	Pcs	Description	Notes
4-1	00338-24	1	O-ring	
4-2	00302-02	1	Reservoir	
4-3	00191-06	1	Sticker "Öhlins"	
4-4	00196-01	1	Sticker "Warning"	
4-5	00305-01	1	Reservoir piston	
4-6	00338-26	1	O-ring	
4-7	00340-01	1	Teflon band	
4-8	00161-83	1	Reservoir top assy	
4-9	00338-04	1	O-ring	
4-10	00604-01	1	Rubber valve	
4-11	00561-03	1	Reservoir top	
4-12	00338-59	1	O-ring	
4-13	01050-01	1	Screw	
4-14	00329-01	1	Circlip	
	03102-21	1	Bracket reservoir	See MI
	00382-16	1	Screw	See MI
	01046-36	2	Screw M6x12	See MI

# SPL YA7981

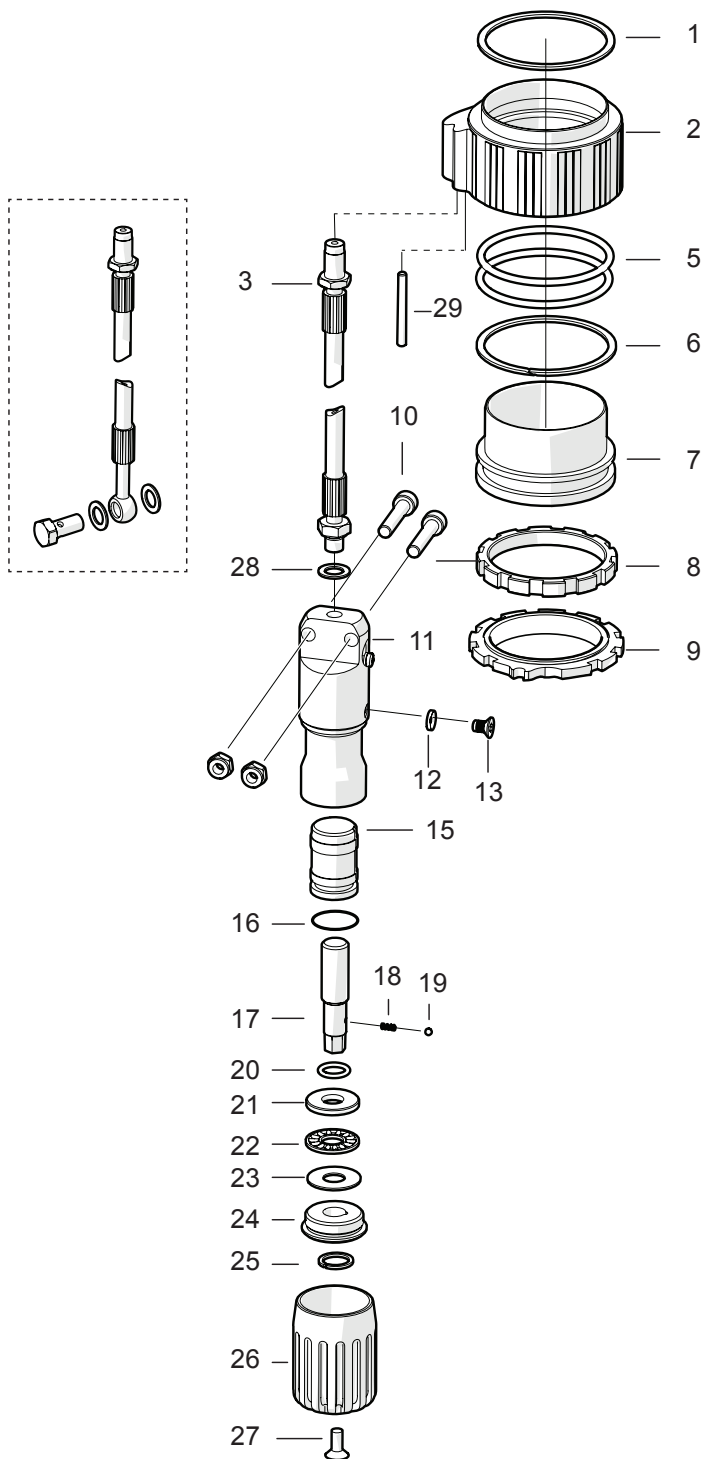
Figure 5 - Hose assembly



Pos	Part No	Pcs	Description	Notes
5-1	00631-81	1	Banjo bolt	
5-2	00586-01	4	Seal washer	
5-3	03100-04	1	Hose	
5-4	00631-82	1	Banjo bolt	
5-5	00438-33	1	O-ring	
5-6	00382-07	1	Screw	
5-7	00862-02	1	Reservoir end	

# SPL YA7981

Figure 6 - Hydraulic adjuster

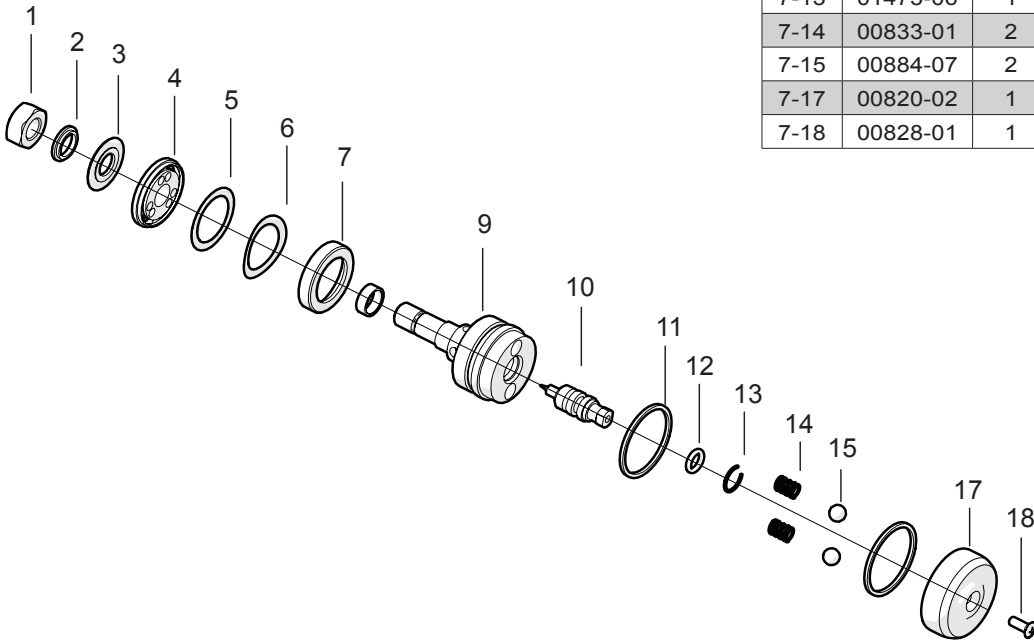


Pos	Part No	Pcs	Description	Notes
6-1	03611-01	1	Support ring	
6-2	03607-01	1	Housing	
6-3	01047-03	1	Hose banjo bolt	
6-5	00338-90	2	O-ring	
6-6	03610-01	1	Support ring	
6-7	03606-01	1	Inner sleeve	
6-8	03609-01	1	Lock nut	
6-9	03608-01	1	Guide nut	
6-10	01046-05	2	Screw	
6-11	03600-01	1	Adj. cylinder	
	00338-79	1	O-ring	Filling screw
	00382-07	1	Screw	Filling screw
6-12	03614-01	1	Seal washer	
6-13	03601-02	1	Guide screw	
6-15	03604-01	1	Piston	
6-16	00338-89	1	O-ring	
6-17	03602-01	1	Adj. screw	
6-18	03083-01	1	Spring	
6-19	00884-03	1	Ball	
6-20	00131-03	1	Circlip	
6-21	03072-02	1	Thrust washer	
6-22	01023-02	1	Needle bearing	
6-23	03073-02	1	Thrust washer	
6-24	03603-01	1	Cover	
6-25	00338-88	1	O-ring	
6-26	03605-01	1	Knob	
6-27	00382-08	1	Screw	
	01165-17	1	Bracket	See MI
6-28	01048-01	1	Seal washer	
6-29	03613-01	1	Pin	

# SPL YA7981

Figure 7 - Compression adjuster

Pos	Part No	Pcs	Description	Notes
7-1	00430-07	1	Nut	
7-2	00641-01	1	Clamp washer	
7-3	-	-	Shim stack	see spec.card
7-4	01244-07	1	Valve	
7-5	01245-01	1	Check valve shim	
7-6	01246-01	1	Wave washer	
7-7	01247-01	1	Check valve housing	
7-9	01243-08	1	End piece	
7-10	01242-06	1	Adj. needle	
7-11	00338-27	1	O-ring	
7-12	00338-79	1	O-ring	
7-13	01473-06	1	Circlip	
7-14	00833-01	2	Spring	
7-15	00884-07	2	Ball	
7-17	00820-02	1	Knob	
7-18	00828-01	1	Screw	







Your Öhlins retailer:

Öhlins Racing AB  
Box 722  
SE-194 27, Upplands Väsby  
Sweden

Phone: +46 (0)8 590 025 00  
Fax: +46 (0)8 590 025 80  
[www.ohlins.com](http://www.ohlins.com)



[www.ohlins.com](http://www.ohlins.com)