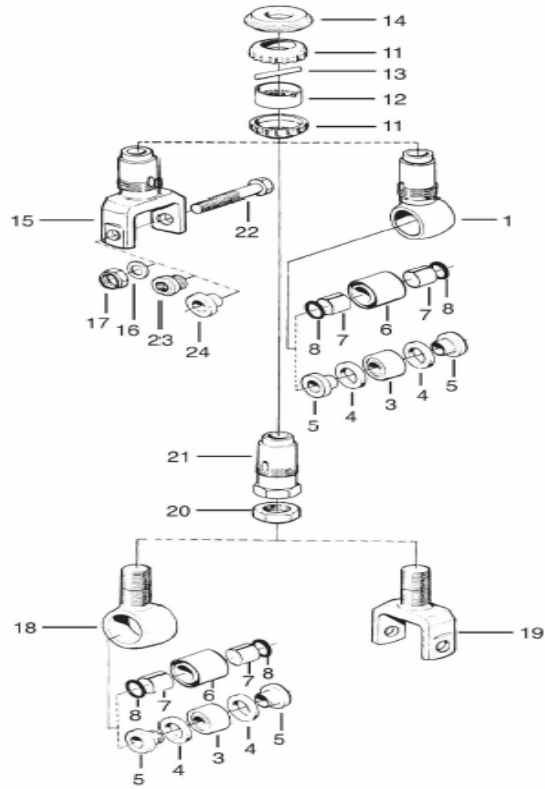
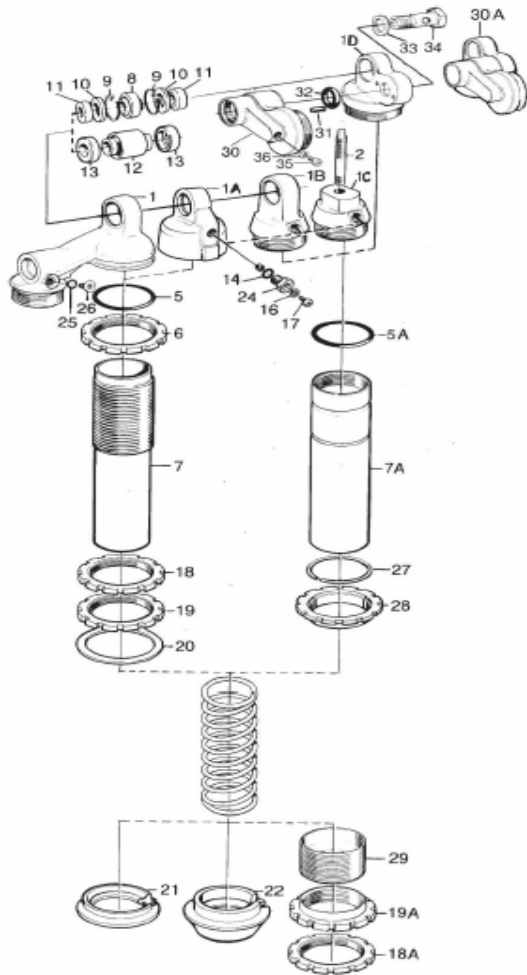


Fig. 01



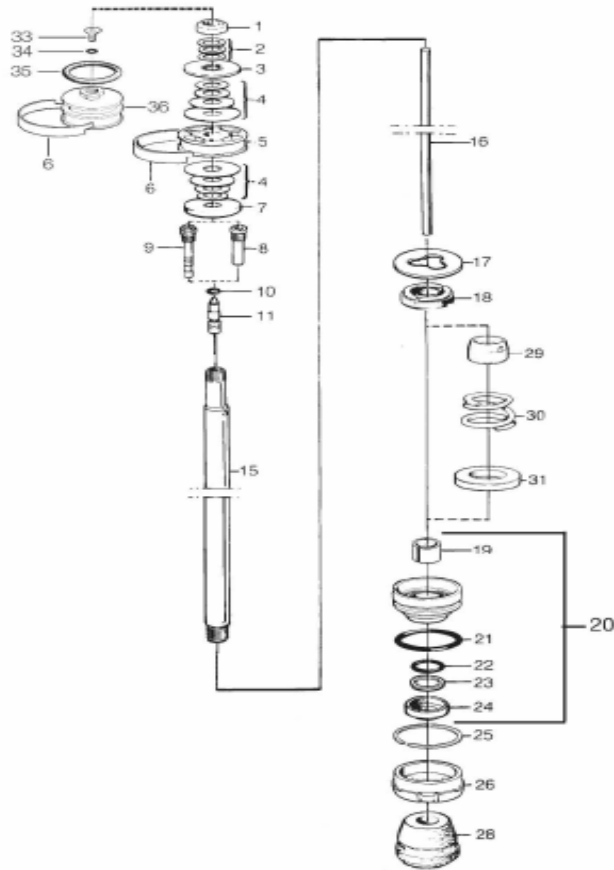
	S46DR1	YAMAHA Fazer 600	YA 314
Fig No.	Part No	Description	Qty
01-11	01016-01	Seal rebound adjuster	2
01-12	01128-01	Adjustment knob	1
01-13	01030-01	Pin	1
01-14	01017-01	Stop washer	1
01-15	01052-03	Bracket	1

Fig.02



	S46DR1	YAMAHA Fazer 600	YA 314
Fig No.	Part No	Description	Qty
Body tube			
02-00	00191-02	Sticker Öhlins	1
02-00	00196-01	Sticker Varning	1
02-01	00570-05	Cylinder head	1
02-05	00338-37	O-ring	1
02-07	01010-09	Cylinder tube	1
02-08	00536-04	Ball joint	1
02-10	00534-01	Seal	2
02-11	01218-07	Spacer	2
02-14	00583-01	O-ring	1
02-16	00338-59	O-ring	1
02-17	01050-01	Screw	1
02-18	00532-01	Lock nut	1
02-19	00531-01	Spring platform	1
02-20	00543-01	Washer	1
02-21	00516-01	Spring clip	1
02-24	00603-01	Valve assy	1
	01093-64	Spring	1

Fig. 03



	S46DR1	YAMAHA Fazer 600	YA 314
Fig No.	Part No	Description	Qty
Shaft			
03-01	00539-01	Lock nut	1
03-02	00578-01	Washer	3
03-03	00519-07	Stop washer	1
03-05	01114-14	Piston	1
03-06	00541-01	Piston ring	2
03-07	00519-04	Stop washer	1
03-09	05521-03	Valve	1
03-10	00338-14	O-ring	1
03-11	05155-03	Adjustment needle	1
03-15	05500-26	Shaft	1
03-16	00566-42	Adj.shaft	1
03-17	01069-02	Spacer	1
03-17	01069-03	Spacer	1
03-18	05115-01	Stop rubber	1
03-19	01056-13	Bushing	1
03-20	05129-04	Seal head assy	1
03-21	00576-01	O-ring	1
03-22	01027-01	X-ring	1
03-23	01032-01	Back-up ring	1
03-24	01031-02	Scraper	1
03-25	00575-01	Circlip	1
03-26	01065-01	End cap	1
03-28	00563-03	Bump rubber	1
03-33	00382-01	Screw	1
03-34	00338-01	O-ring	1
03-35	00338-13	O-ring	1
03-36	01005-01	Piston	1