

Shock Absorber YAMAHA XT1200Z Tenere

YA 0130


Spare Parts List




Safety Precautions

Note!


The shock absorber is a very important part of the vehicle and will therefore affect the stability of the vehicle.


 Read and make sure that you understand the information in this manual and the mounting instructions before you use this product. If you have any questions regarding installation or maintenance please contact your nearest Öhlins dealer.

 Öhlins Racing AB can not be held responsible for any damage to the shock absorber, vehicle, other property or injury to persons, if the instructions for installing and maintenance are not followed exactly.

Warning!


This product was developed and designed exclusively for a specific vehicle model and should only be installed on the intended vehicle model in its original condition as delivered from the vehicle manufacturer.

 This product contains pressurized nitrogen gas (N₂). Do not open, service or modify this product without proper education (authorized Öhlins dealer/distributor) or proper tools.

 After installing this product, take a test ride at low speed to make sure that your vehicle has maintained its stability.

Note!

When working on this product, always consult your Vehicle Service Manual.

 This Manual should be considered as a part of the product and should therefore accompany the product throughout its life cycle.

Safety Symbols

In this manual, mounting instructions and other technical documents, important information concerning safety is distinguished by the following symbols:



The Safety Alert Symbol means: Warning! Your safety is involved.

Warning!

The Warning Symbol means: Failure to follow warning instructions can result in severe or fatal injury to anyone working with, inspecting or using the shock absorber, or to bystanders.

Caution!

The Caution Symbol means: Special precautions must be taken to avoid damage to the shock absorber.

Note!

The Note Symbol indicates information that is important regarding procedures.

© Öhlins Racing AB. All rights reserved. Any reprinting or unauthorized use without the written permission of Öhlins Racing AB is prohibited.
Printed in Sweden.

Pos	Part No.	Pcs	Description	Type/Remarks
1-11	01016-01	2	Seal rebound adjuster	
1-12	01128-01	1	Adjustment knob	
1-13	01030-01	1	Pin	
1-14	01017-01	1	Stop washer	
1-15	01052-37	1	Bracket	

Fig.1 End eye

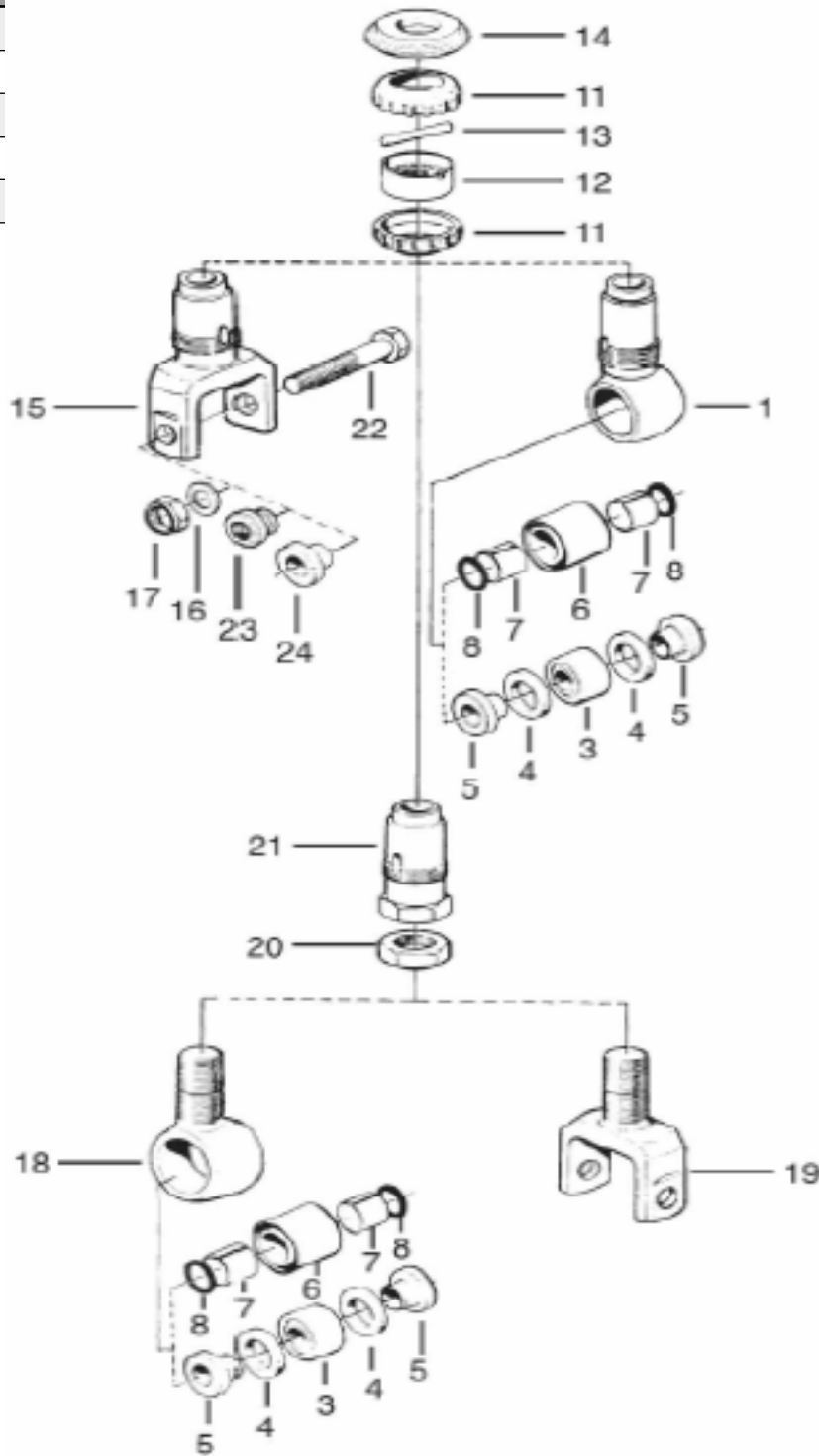
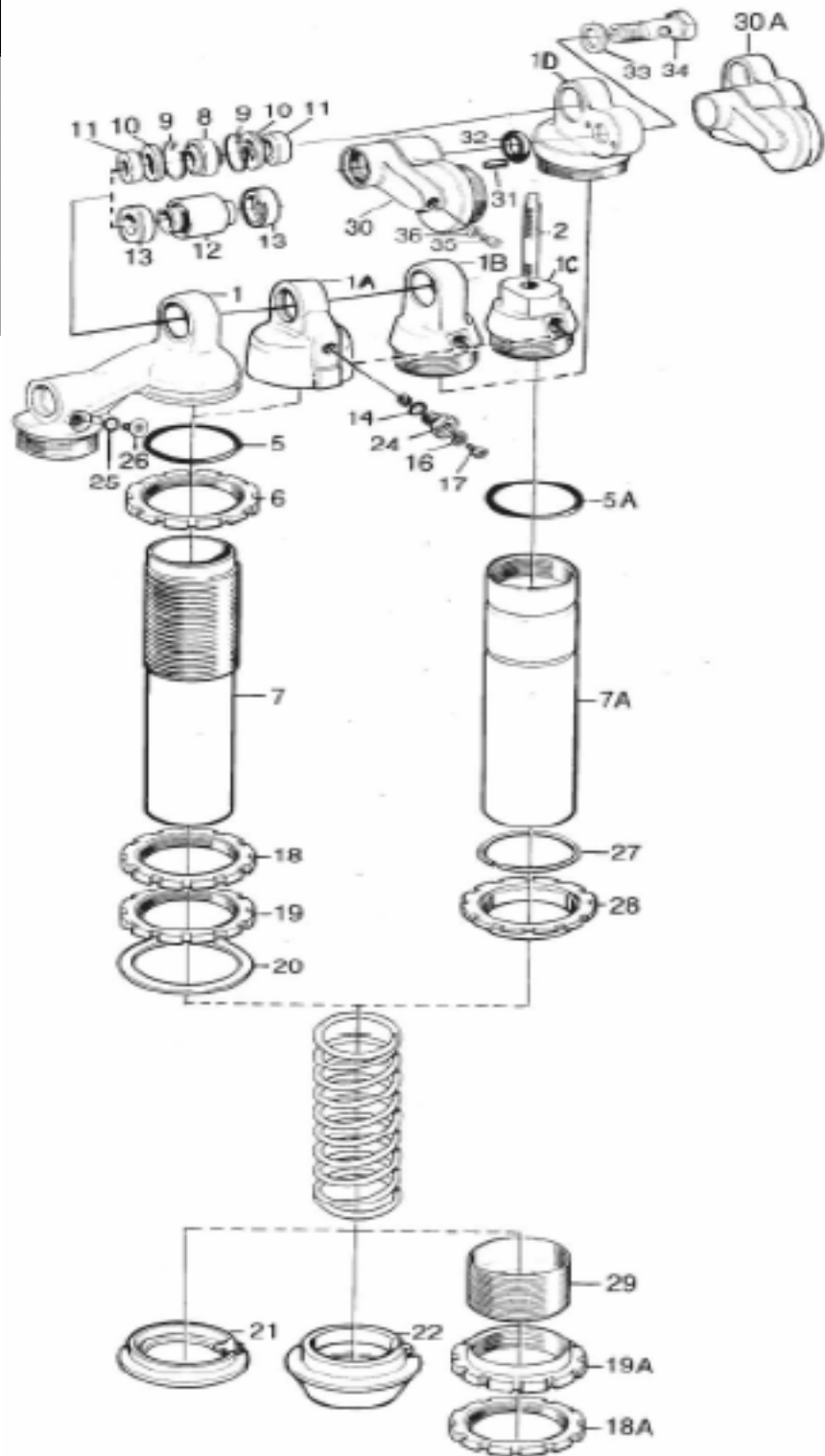


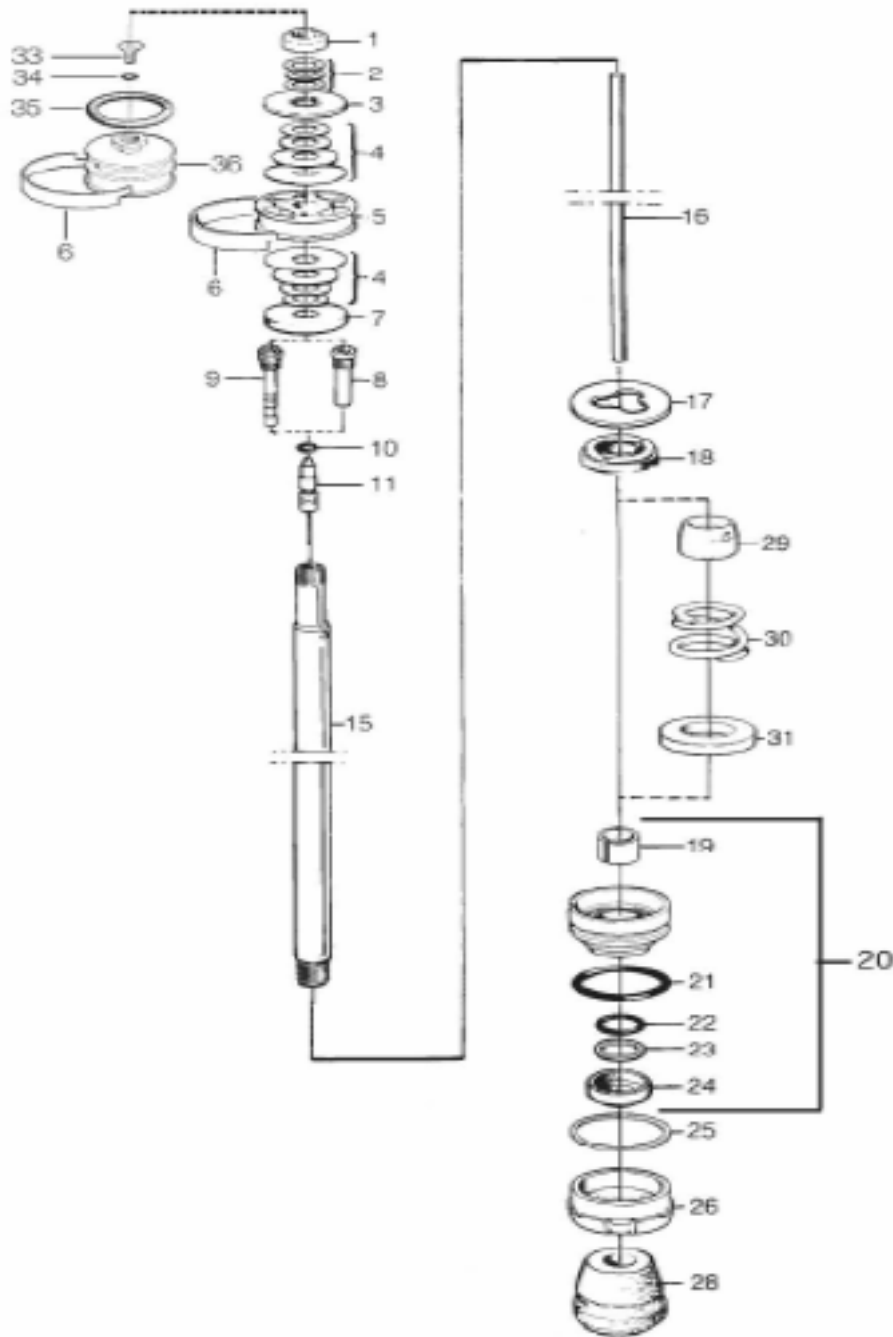
Fig.2 Cylinder head/tube

Pos	Part No.	Pcs	Description	Type/Remarks
2-1	00570-01	1	Cylinder head	
2-5	00338-37	1	O-ring	
2-7	04210-52	1	Cylinder tube	
2-12	00809-01	1	Rubber bushing	
2-20	00543-01	1	Washer	
2-22	01286-01	1	Spring clip	
	01099-49	1	Spring	



Shaft assy

Fig.3



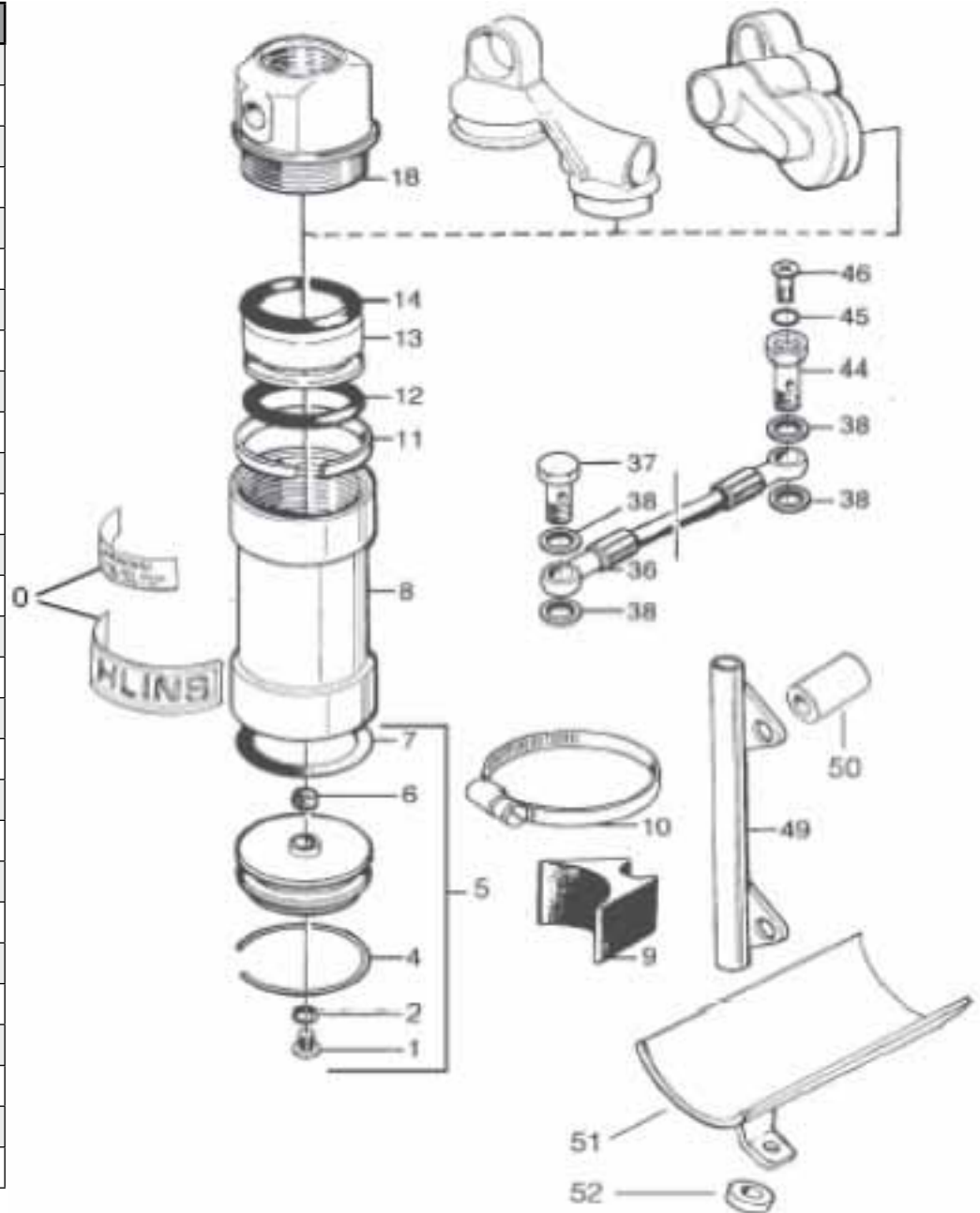
Pos	Part No.	Pcs	Description	Type/Remarks
3-1	00539-01	1	Lock nut	
3-2	00578-01	3	Washer	
3-3	00519-07	1	Valve stop	
3-4			Shims See spec.card	
3-5	01114-14	1	Piston	
3-6	00541-01	1	Piston ring	
3-7	00519-04	1	Valve stop	
3-8	05621-04	1	Shaft jet	
3-10	00338-14	1	O-ring	
3-11	05655-04	1	Adjustment needle	
3-15	05500-31	1	Shaft	
3-16	03566-43	1	Adjustment shaft	
3-17	01069-02	1	Spacer	
3-17	01069-10	2	Spacer	
3-18	05115-01	1	Stop rubber	
3-19	01056-13	1	Bushing	
3-20	05129-04	1	Seal head assy	
3-21	00576-01	1	O-ring	
3-22	01027-01	1	X-ring	
3-23	01032-01	1	Back up ring	
3-24	01031-02	1	Scraper	
3-25	00575-01	1	Circlip	
3-26	01065-02	1	End cap	
3-28	00563-03	1	Bump rubber	

SPARE PARTS LIST YA 0130

Pos	Part No.	Pcs	Description
4-0	00191-02	1	Sticker "Öhlins"
4-0	00196-01	1	Sticker "Warning"
4-1	01050-01	1	Screw
4-2	00338-59	1	O-ring
4-4	00329-01	1	Circlip
4-5	00161-03	1	Reservoir top assy
4-7	00338-04	1	O-ring
4-8	00302-01	1	Reservoir
4-11	00340-01	1	Teflon band
4-12	00338-26	1	O-ring
4-13	00305-01	1	Reservoir piston
4-14	00338-24	1	O-ring
4-18	00862-02	1	Reservoir end
4-36	00637-25	1	Hose
4-37	00631-01	1	Banjo bolt
4-38	00586-01	4	Seal washer
4-44	00631-02	1	Banjo bolt
4-45	00438-33	1	O-ring
4-46	00382-07	1	Screw
4-51	21617-09	1	Reservoir bracket
	05378-10	1	Reservoir clamp
	01046-26	1	Screw M5x22
	01046-18	2	Screw M5x16
	01046-21	1	Screw M8x40
	00430-04	3	Nut M5
	00430-05	1	Nut M8
	00153-01	1	Washer 8mm

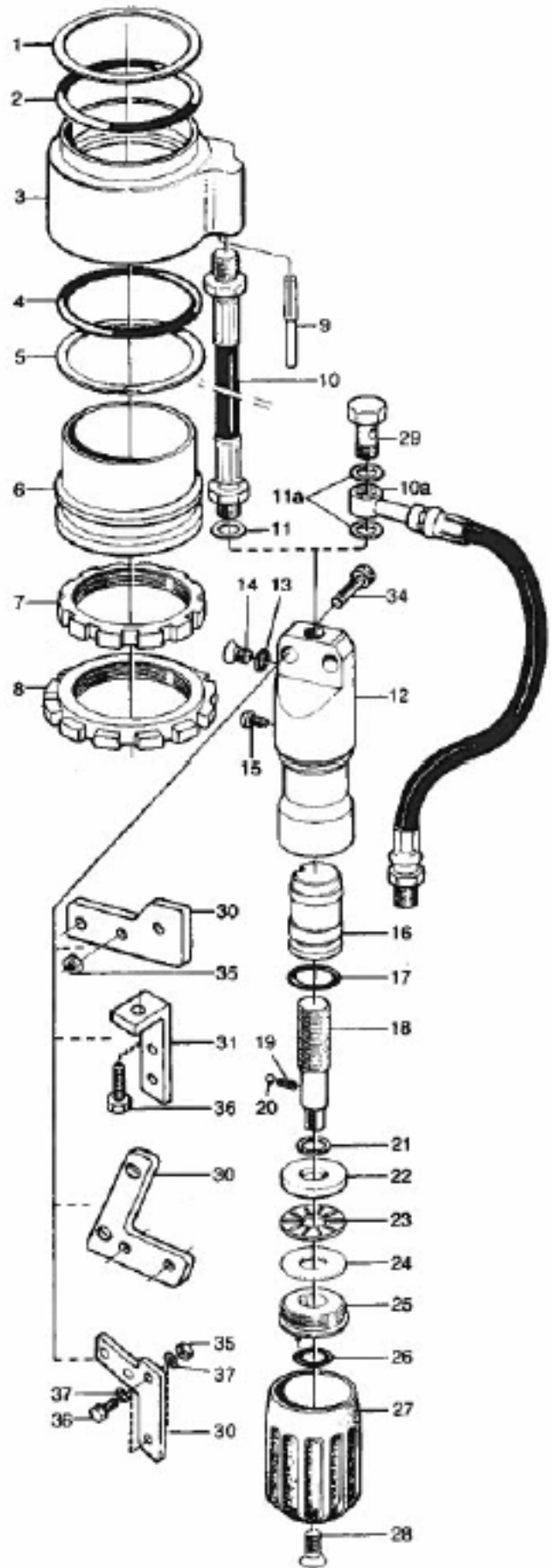
Fig.4

Reservoir/Hose



Pos	Part No.	Pcs	Description	Type/Remarks
5-0	00191-06	1	Sticker "Öhlins"	
5-1	03611-01	1	Support ring	
5-2	00338-90	1	O-ring	
5-3	03607-01	1	Preload housing	
5-4	00338-90	1	O-ring	
5-5	03610-01	1	Support ring	
5-6	03606-01	1	Inner sleeve	
5-7	03609-01	1	Lock nut	
5-8	03608-01	1	Guide nut	
5-9	03613-01	1	Pin	
5-10	01042-02	1	Hose	
5-11	01048-01	2	Seal washer	
5-12	03600-02	1	Adj. cylinder	
5-13	00338-79	1	O-ring	
5-14	00382-07	1	Screw	
5-15	03601-02	1	Guide screw	
	03614-01	1	Seal washer	
5-16	03604-02	1	Piston	
5-17	00338-71	1	O-ring	
5-18	03602-02	1	Adj. screw	
5-19	03083-01	1	Spring	
5-20	00884-03	1	Ball	
5-21	00131-03	1	Circlip	
5-22	03072-02	1	Thrust washer	
5-23	01023-02	1	Thrust needle bearing	
5-24	03073-02	1	Thrust washer	
5-25	03603-01	1	Cover	
5-26	00338-88	1	O-ring	
5-27	03605-01	1	Knob	
5-28	00382-08	1	Screw	
5-29	00831-02	1	Banjo bolt	
5-30	01082-06	1	Bracket	
5-34	05404-07	2	Screw M6x30	
	00430-02	2	Nut M6	
	00153-04	2	Washer 6mm	
5-36	01046-21	1	Screw M8x40	
5-37	00153-01	1	Washer 8mm	
5-35	00430-05	1	Nut M8	

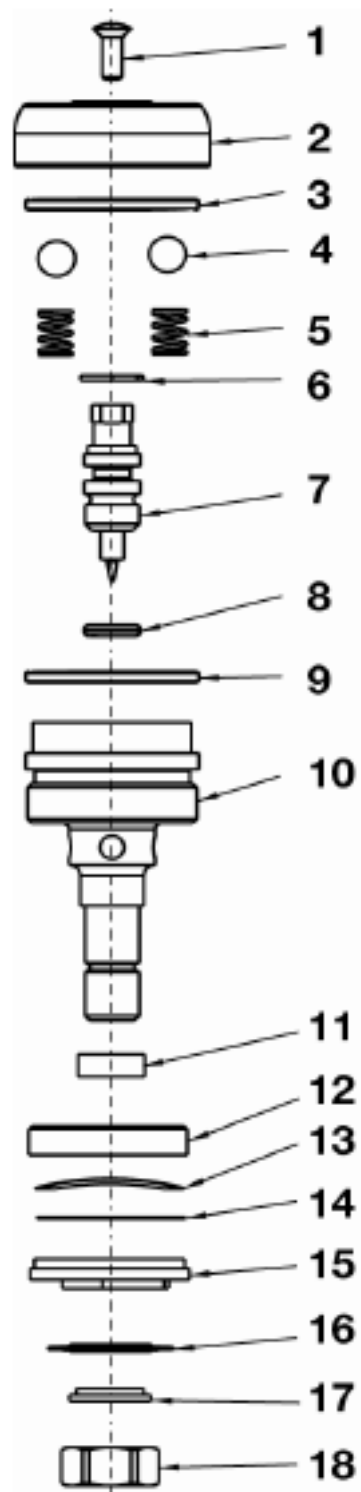
Fig.5 Preload housing assy



Pos	Part No.	Pcs	Description	Type/Remarks
6-1	00828-01	1	Screw	
6-2	00820-02	1	Knob adj. comp.	
6-4	00884-07	2	Ball	
6-5	00833-01	2	Spring	
6-6	01473-06	1	Circlip	
6-7	01242-06	1	Adjustment needle	
6-8	00338-79	1	O-ring	
6-9	00338-27	1	O-ring	
6-10	01243-08	1	End piece	
6-12	01247-01	1	Check valve housing	
6-13	01246-01	1	Wave washer	
6-14	01245-01	1	Check valve shim	
6-15	01244-05	1	Valve	
6-16			Shim see spec.card	
6-17	00641-01	1	Washer	
6-18	00430-07	1	Nut	

Fig.6

Comp. adjuster



Your Öhlins retailer:



Öhlins Racing AB
Box 722
SE-194 27, Upplands Väsby
Sweden

Phone: +46 (0)8 590 025 00
Fax: +46 (0)8 590 025 80
www.ohlins.com



www.ohlins.com