

S36PL for Triumph

TR 927

Spare Parts List



ADVANCED SUSPENSION TECHNOLOGY

SAFETY PRECAUTIONS

General Warnings

Note!

The shock absorber/front fork/steering damper is an important part of the vehicle and will affect the stability.

Note!

Read and ensure you understand the information in this manual and other technical documents provided by Öhlins, before using the product.

Note!

Öhlins Racing AB can not be held responsible for any damage to the shock absorber/front fork/steering damper, vehicle, other property or injury to persons, if the instructions for mounting, usage and maintenance are not followed exactly.

Warning!

After installing the Öhlins product, take a test ride at low speed to ensure your vehicle has maintained stability.

Warning!

If the suspension makes an abnormal noise, or the function is irregular, or if you notice any leakage from the product, stop the vehicle immediately and return the product to an Öhlins Service Centre.

Warning!

The product warranty shall only apply if the product has been operated and maintained in accordance with recommendations in this manual. If you have any questions regarding usage, service, inspection and/or maintenance please contact Öhlins.

Note!

When working with the Öhlins product, always read the Vehicle Service Manual.

Product Specific Warnings

Warning!

This product was developed and designed exclusively for a specific vehicle model and shall only be installed on the intended vehicle model in its original condition as delivered from the vehicle manufacturer.

Warning!

This product contains pressurized nitrogen gas (N₂). Do not open, service or modify this product without proper education (authorized Öhlins dealer/distributor) and proper tools.

Safety Symbols

In this manual, mounting instructions and other technical documents, important information concerning safety is distinguished by the following symbols:



The Safety Alert Symbol means: **Warning!** Your safety is involved.

Warning!

The Warning Symbol means: Failure to follow warning instructions can result in severe or fatal injury to anyone working with, inspecting or using the shock absorber, or to bystanders.

Caution!

The Caution Symbol means: Special precautions must be taken to avoid damage to the shock absorber.

Note!

The Note Symbol indicates information that is important regarding procedures.

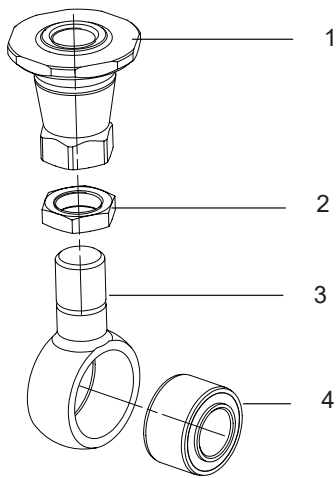
© Öhlins Racing AB. All rights reserved.

Any reprinting or unauthorized use without the written permission of Öhlins Racing AB is prohibited.

TABLE OF CONTENTS

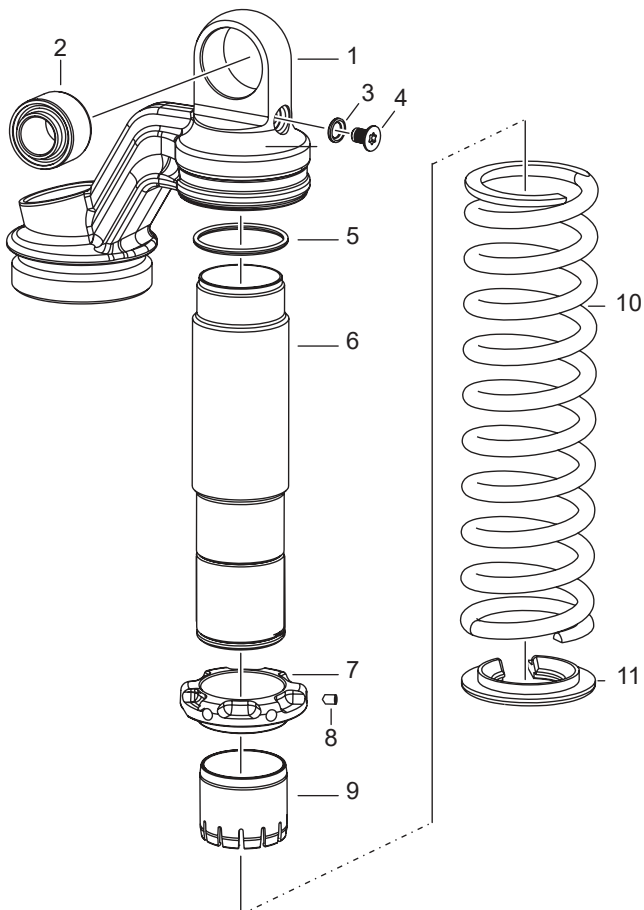
Figure 1 End piece assembly	3
Figure 2 Cylinder head and tubes	3
Figure 3 Shaft assembly	4
Figure 4 Reservoir	5
Figure 5 Valve assembly	5

Figure 1 End piece assembly



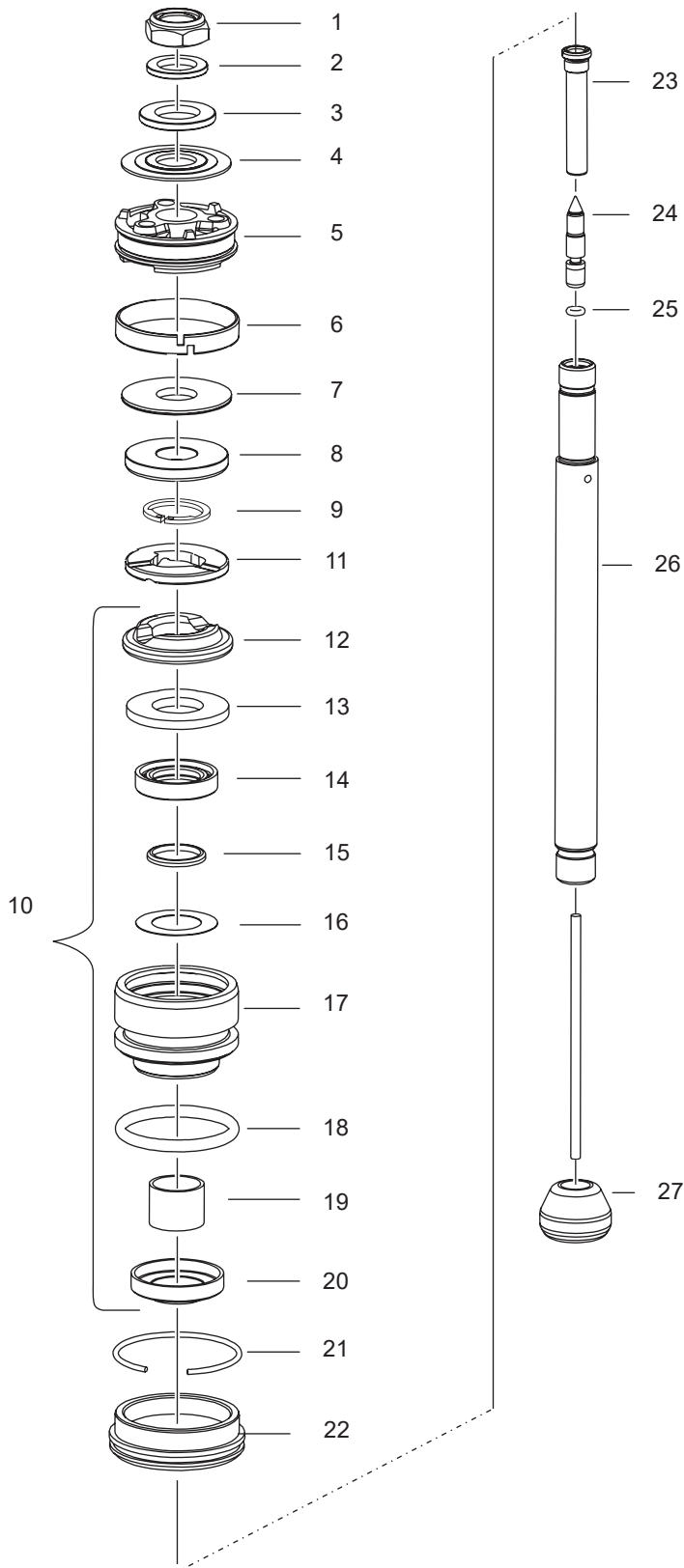
Pos	Part no	Pcs	Description	Notes
1-1	04058-01	1	Shaft extension	
1-2	03059-01	1	Nut	
1-3	03061-12	1	End eye	
1-4	60124-17	1	Rubber bush	

Figure 2 Cylinder head and tubes



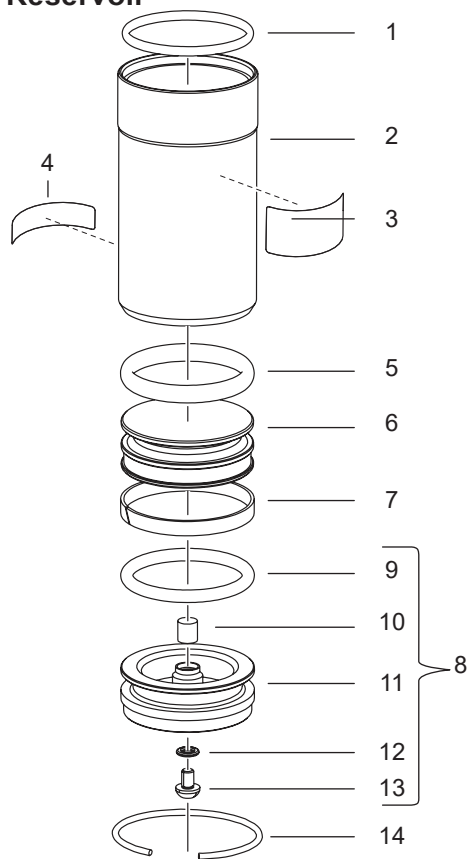
Pos	Part no	Pcs	Description	Notes
2-1	00303-13	1	Cylinder head	
2-2	60124-17	1	Rubber bushing	
2-3	00438-33	1	O-ring	
2-4	00382-07	1	Screw	
2-5	00338-02	1	O-ring	
2-6	67300-18	1	Cylinder tube	
2-7	03251-02	1	Spring platform	
2-8	05410-02	1	Stop screw	
2-9	00417-02	1	Support sleeve	
2-10	60480-03	1	Spring yellow	
2-11	00116-07	1	Spring clip	

Figure 3 Shaft assembly



Pos	Part no	Pcs	Description	Notes
3-1	00539-01	1	Lock nut	
3-2	00578-01	2	Washer	
3-3	00519-07	1	Valve stop	
3-4	-	-	Shim stack	
3-5	03377-40	1	Piston	
3-6	03078-01	1	Piston ring	
3-7	-	-	Shim stack	
3-8	03068-01	1	Valve stop	
3-9	00436-01	1	Circlip valve stop	
3-10	03164-08	1	Seal head aasy.	
3-11	03269-02	1	Spacer	
3-12	03067-02	1	Stop rubber	
3-13	04752-02	1	Washer	
3-14	04717-02	1	Seal	
3-15	01032-09	1	Back up ring	
3-16	04729-02	1	Shim	
3-17	63064-03	1	Seal head	
3-18	00338-09	1	O-ring	
3-19	01056-12	1	Bushing	
3-20	03070-05	1	Scraper	
3-21	00128-01	1	Circlip	
3-22	63065-02	1	End cap	
3-23	60160-09	1	Shaft jet	
3-24	01055-03	1	Adjustment valve	
3-25	00338-14	1	O-ring	
3-26	03062-21	1	Shaft	
3-27	03063-01	1	Bump rubber	

Figure 4 Reservoir



Pos	Part no	Pcs	Description	Notes
4-1	00338-24	1	O-ring	
4-2	00302-02	1	Reservoir	
4-3	00196-01	1	Sticker Warning	
4-4	60191-01	1	Sticker Öhlins	
4-5	00338-26	1	O-ring	
4-6	00305-01	1	Reservoir piston	
4-7	00340-01	1	Teflon band	
4-8	00161-83	1	Reservoir top assy	
4-9	00338-04	1	O-ring	
4-10	00604-01	1	Rubber valve	
4-11	00561-03	1	Reservoir end	
4-12	00338-59	1	O-ring	
4-13	01050-01	1	Screw	
4-14	00329-01	1	Circlip	

Your Öhlins retailer:

Öhlins Asia Co.,Ltd
700/937 Moo5, Nongkhaka,
Phanthong Chonburi 20160
Thailand

Phone: +66 (0)38 212 291-6
Fax: +66 (0)38 212 297
www.ohlins.com



www.ohlins.com