

*Shock absorber Triumph Bobber (S36DR1)*

**TR 7291**

*Spare Parts List*



## SAFETY PRECAUTIONS

### **⚠ Warning!**

The shock absorber/front fork/steering damper is an important part of the vehicle and will affect the stability.

### **⚠ Warning!**

After installing the Öhlins product, take a test ride at low speed to make sure your vehicle has maintained stability.

### **⚠ Warning!**

Some of Öhlins products contain pressurized nitrogen gas (N<sub>2</sub>). Do not open, service or modify pressurized products without proper education (approved Öhlins dealer/distributor) and proper tools.

### **👁 Note!**

Read and ensure you understand the information in this manual and other technical documents provided by Öhlins, before you use the product.

### **👁 Note!**

Öhlins Asia Co.,Ltd can not be held responsible for any damage to the shock absorber/front fork/steering damper, vehicle, other property or injury to persons, if the instructions for mounting, usage and maintenance are not obeyed.

### **⚠ Warning!**

If the suspension makes an abnormal noise, or the function is irregular, or if you notice any leakage from the product, stop the vehicle immediately and return the product to an Öhlins Service Centre.

### **⚠ Warning!**

The product warranty shall only apply if the product has been operated and maintained in accordance with recommendations in this manual. If you have any questions regarding usage, service, inspection and/or maintenance contact Öhlins.

### **👁 Note!**

When working with the Öhlins product, read the Vehicle Service Manual.

### **⚠ Warning!**

This product was developed and designed exclusively for a specific vehicle model and shall only be installed on the intended vehicle model in its original condition as delivered from the vehicle manufacturer.

## Contents

|  |   |
|--|---|
| Figure 1 - Body assy .....                   | 3 |
| Figure 2 - Spring assy .....                 | 4 |
| Figure 3 - Damping assy+ Seal head assy..... | 5 |
| Figure 4 - Dividing assy .....               | 6 |
| Figure 5 - Shaft assy.....                   | 7 |

## SAFETY SYMBOLS

In this manual, mounting instructions and other technical documents, important information concerning safety is distinguished by the following symbols:

The Safety Alert Symbol means: Warning! Your safety is involved.

### **⚠ Warning!**

The Warning Symbol means: Failure to follow warning instructions can result in severe or fatal injury to anyone working with, inspecting or using the shock absorber, or to bystanders.

### **👉 Caution!**

The Caution Symbol means: Special precautions must be taken to avoid damage to the shock absorber.

### **👁 Note!**

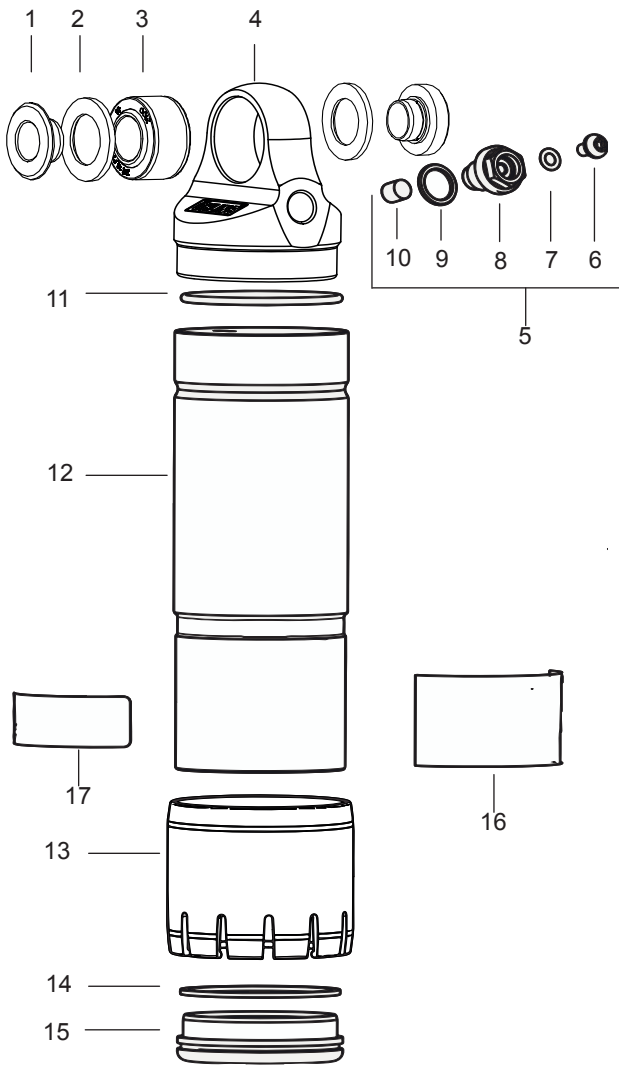
The Note Symbol indicates information that is important regarding procedures.

© Öhlins Asia Co.,Ltd. All rights reserved.

Any reprinting or unauthorized use without the written permission of Öhlins Asia Co.,Ltd is prohibited.

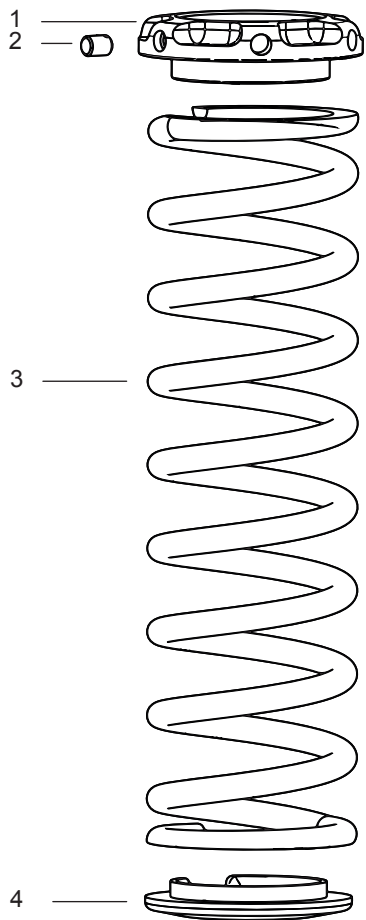
# SPL TR 7291

Figure 1 - Body assy



| Pos  | Part No   | Pcs | Description               | Notes |
|------|-----------|-----|---------------------------|-------|
| 1-1  | 01218-12  | 2   | Spacer, bj Ø14, 10x30     |       |
| 1-2  | 00534-01  | 2   | Seal ball joint 16/26/2.7 |       |
| 1-3  | 00536-13  | 1   | Ball joint dia 14/26/15   |       |
| 1-4  | 00201-029 | 1   | Cylinder head             |       |
| 1-5  | -         | -   | Valve assy                |       |
| 1-6  | 01050-01  | 1   | Screw M4x5                |       |
| 1-7  | 00338-59  | 1   | O-ring 4.5x1.5            |       |
| 1-8  | 00605-03  | 1   | Valve                     |       |
| 1-9  | 00338-07  | 1   | O-ring 10.82x1.78         |       |
| 1-10 | 00604-01  | 1   | Rubber valve              |       |
| 1-11 | 00338-02  | 1   | O-ring 38x2.5             |       |
| 1-12 | 04300-30  | 1   | Cylinder tube 36/134      |       |
| 1-13 | 00417-02  | 1   | Support sleeve            |       |
| 1-14 | 00128-01  | 1   | Circlip                   |       |
| 1-15 | 63065-02  | 1   | End cap 36/14 clear       |       |
| 1-16 | 60191-14  | 1   | Sticker "ÖHLINS"          |       |
| 1-17 | 00196-01  | 1   | Sticker "Warning"         |       |

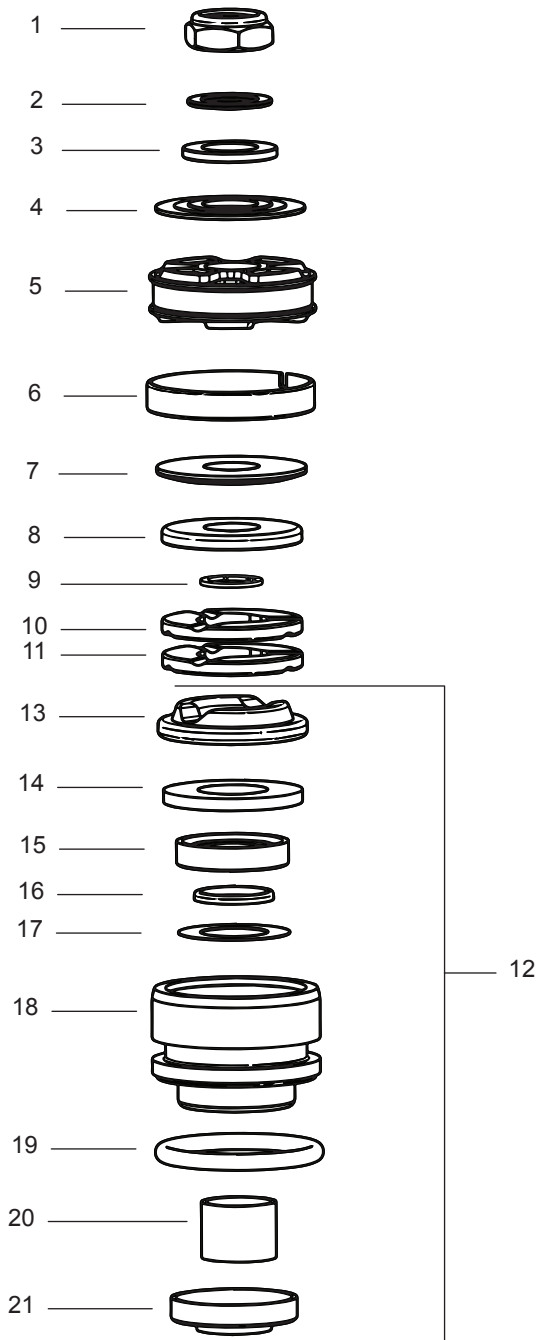
Figure 2 - Spring assy



| Pos | Part No  | Pcs | Description                | Notes |
|-----|----------|-----|----------------------------|-------|
| 2-1 | 03251-01 | 1   | Spring adjuster            |       |
| 2-2 | 05410-02 | 1   | Stop screw 1 M6x8 nylon    |       |
| 2-3 | 60282-11 | 1   | Spring 46/200/36 N/mm      |       |
| 2-4 | 00116-03 | 1   | Spring clip for springs 46 |       |

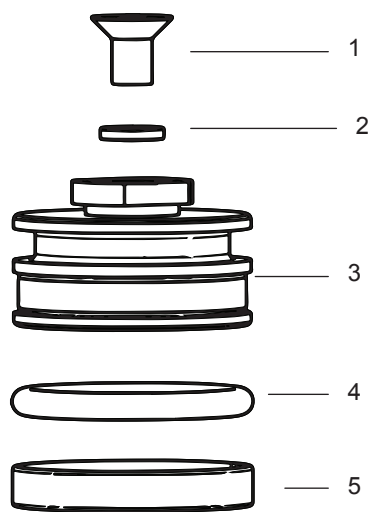
# SPL TR 7291

Figure 3 - Damping assy+Seal head assy



| Pos  | Part No  | Pcs | Description            | Notes     |
|------|----------|-----|------------------------|-----------|
| 3-1  | 00539-01 | 1   | Lock nut               |           |
| 3-2  | 00578-01 | 2   | Washer                 |           |
| 3-3  | 00519-07 | 1   | Stop washer            |           |
| 3-4  | -        | -   | Shim stack rebound     | See spec. |
| 3-5  | 03377-42 | 1   | Piston 12/36           |           |
| 3-6  | 03078-01 | 1   | Piston ring 36/6       |           |
| 3-7  | -        | -   | Shim stack compression | See spec. |
| 3-8  | 03068-01 | 1   | Valve stop             |           |
| 3-9  | 00436-01 | 1   | Circlip                |           |
| 3-10 | 03269-03 | 1   | Spacer 14/30/3 Red     |           |
| 3-11 | 03269-02 | 1   | Spacer 14/30/2 Black   |           |
| 3-12 | 03164-07 | 1   | Seal head assy         |           |
| 3-13 | 03067-02 | 1   | Stop rubber            |           |
| 3-14 | 04752-02 | 1   | Washer                 |           |
| 3-15 | 04717-02 | 1   | Seal                   |           |
| 3-16 | 01032-09 | 1   | Back-up ring           |           |
| 3-17 | 04729-02 | 1   | Shim                   |           |
| 3-18 | 63064-03 | 1   | Seal head 14/36        |           |
| 3-19 | 00338-09 | 1   | O-ring                 |           |
| 3-20 | 01056-12 | 1   | Bushing 14/16/12       |           |
| 3-21 | 03070-02 | 1   | Scraper 14/25/7        |           |

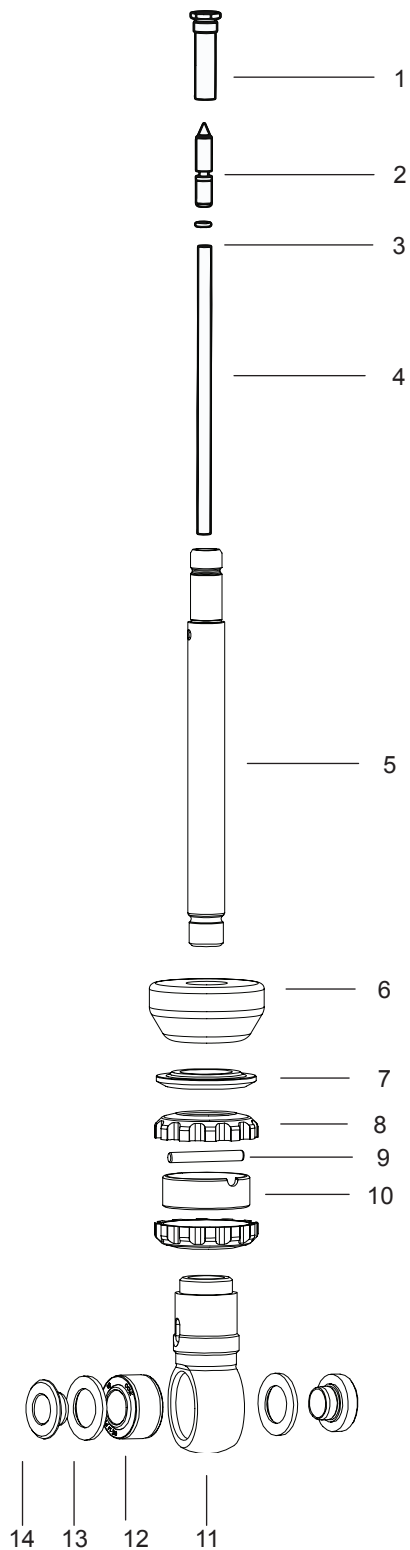
Figure 4 - Dividing assy



| Pos | Part No  | Pcs | Description      | Notes |
|-----|----------|-----|------------------|-------|
| 4-1 | 00382-01 | 1   | Screw M6x10      |       |
| 4-2 | 00338-01 | 1   | O-ring 6.07x1.78 |       |
| 4-3 | 00305-04 | 1   | Dividing piston  |       |
| 4-4 | 00338-28 | 1   | O-ring 28x4      |       |
| 4-5 | 03078-01 | 1   | Piston ring 36/6 |       |

# SPL TR 7291

Figure 5 - Shaft assy



| Pos  | Part No  | Pcs | Description               | Notes |
|------|----------|-----|---------------------------|-------|
| 5-1  | 01021-03 | 1   | Shaft jet bleed 4.0       |       |
| 5-2  | 01055-03 | 1   | Adjustment needle dia     |       |
| 5-3  | 00338-14 | 1   | O-ring 3.1x1.6            |       |
| 5-4  | 03566-64 | 1   | Adj. shaft 81/4.3         |       |
| 5-5  | 03062-18 | 1   | Shaft 14/137              |       |
| 5-6  | 06375-02 | 1   | Bump rubber 14/39/20      |       |
| 5-7  | 63117-01 | 1   | Stop washer 20/38/5.5     |       |
| 5-8  | 01016-01 | 2   | Seal rebound adjuster     |       |
| 5-9  | 01030-01 | 1   | Pin 4x29.7 h8             |       |
| 5-10 | 01128-01 | 1   | Adjustment knob           |       |
| 5-11 | 21154-01 | 1   | End eye 14/50/26          |       |
| 5-12 | 00536-13 | 1   | Ball joint dia 14/26/15   |       |
| 5-13 | 00534-01 | 2   | Seal ball joint 16/26/2.7 |       |
| 5-14 | 01218-12 | 2   | Spacer 10x30              |       |

Your Öhlins retailer:

Öhlins Asia Co.,Ltd  
700/937 Moo5, Nongkhaka,  
Phanthong Chonburi 20160  
Thailand

Phone: +66 (0)38 212 291-6  
Fax: +66 (0)38 212 297  
[www.ohlins.com](http://www.ohlins.com)



[www.ohlins.com](http://www.ohlins.com)