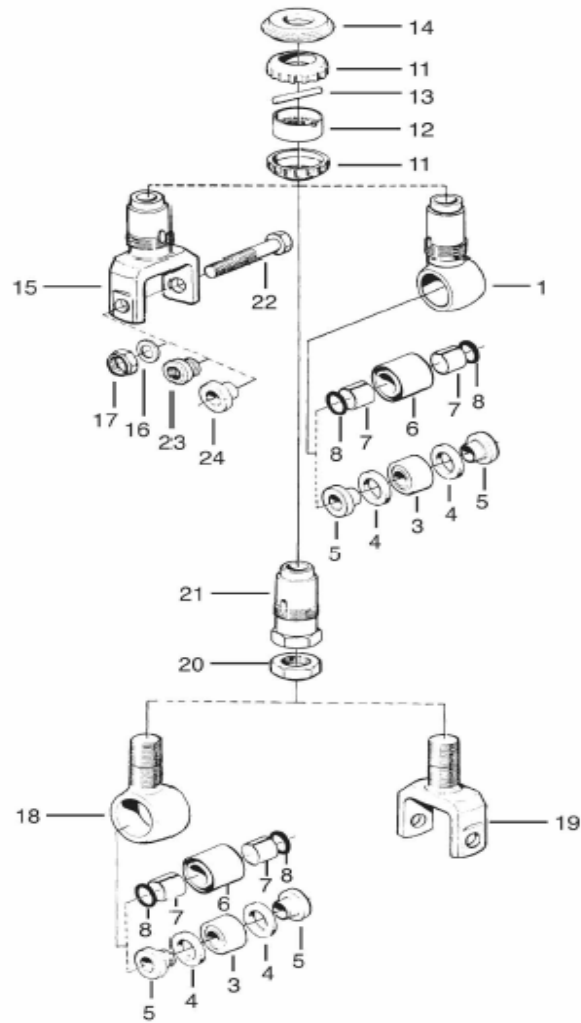
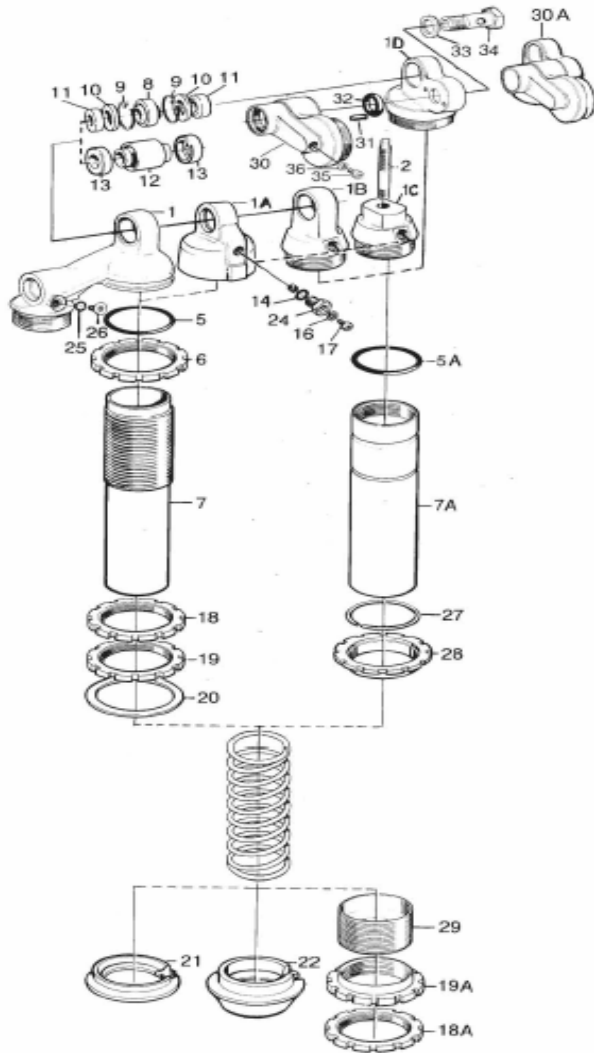


Fig.01



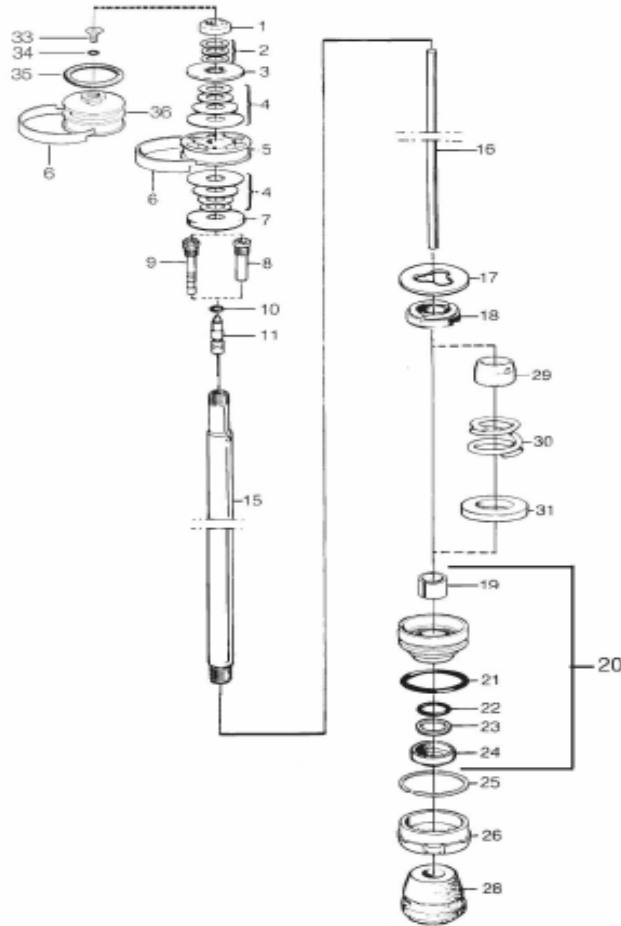
	<i>S46HR1C1</i>	<i>SUZUKI GSX-1100-R</i>	<i>SU 635</i>
<i>Fig No.</i>	<i>Part No</i>	Description	Qty
End eye			
01-03	00536-04	Ball joint	1
01-04	00534-01	Seal rebound adjuster	2
01-05	01018-13	Spacer	2
01-11	01016-01	Seal rebound adjuster	2
01-12	01128-01	Adjustment knob	1
01-13	01030-01	Pin	1
01-14	01017-01	Stop washer	1
01-15	01054-03	End eye	1

Fig.02



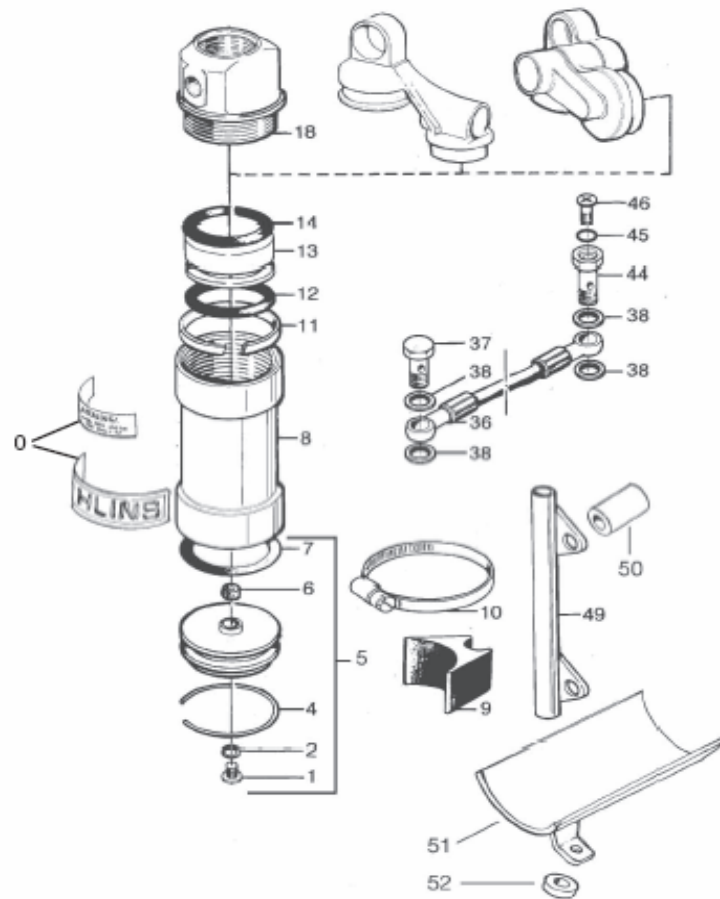
	S46HR1C1	SUZUKI GSX-1100-R	SU 635
Fig No.	Part No	Description	Qty
Body tube			
02-01A	00570-07	Cylinder head	1
02-05	00338-37	O-ring	1
02-07	04210-11	Cylinder tube	1
02-08	00536-04	Ball joint	1
02-10	00534-01	Seal ball joint	2
02-11	01018-12	Spacer, ball joint	2
02-18	00532-01	Lock nut	1
02-19	00531-06	Spring platform	1
02-20	00543-01	Washer	1
02-21	00516-01	Spring clip	1
	01095-21	Spring	1

Fig.03



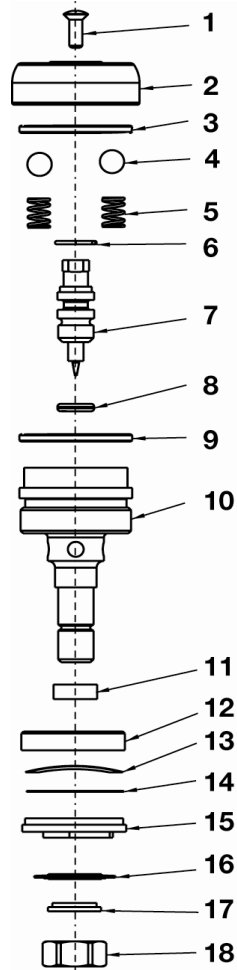
	S46HR1C1	SUZUKI GSX-1100-R	SU 635
Fig No.	Part No	Description	Qty
Shaft			
03-01	00539-01	Lock nut	1
03-02	00578-01	Washer	8
03-05	00514-11	Piston	1
03-06	00541-01	Piston ring	1
03-07	00519-04	Stop washer	1
03-08	05621-03	Valve	1
03-10	00338-14	O-ring	1
03-11	05655-03	Adjustment needle	1
03-15	05500-07	Shaft	1
03-16	00566-83	Adj.shaft	1
03-17	01069-03	Spacer	1
03-18	00815-01	Stop rubber	1
03-19	01056-01	Bushing	1
03-20	01029-02	Seal head assy	1
03-21	00576-01	O-ring	1
03-22	01027-01	X-ring	1
03-23	01032-01	Back-up ring	1
03-24	01031-02	Scraper	1
03-25	00575-01	Circlip	1
03-26	01065-01	End cap	1
03-28	00563-03	Bump rubber	1

Fig.04



	S46HR1C1	SUZUKI GSX-1100-R	SU 635
Fig No.	Part No	Description	Qty
Reservoir			
04-00	00191-02	Sticker "ÖHLINS" blue/transp	1
04-00	00196-01	Sticker "Warning"black/transp 17x53	1
04-01	01050-01	Screw	1
04-02	00338-59	O-ring	1
04-04	00329-01	Circlip	1
04-05	00161-03	Reservoir top assy	1
04-07	00338-04	O-ring	1
04-08	00302-01	Reservoir	1
04-11	00340-01	Teflon band	1
04-12	00338-26	O-ring	1
04-13	00305-01	Reservoir piston	1
04-14	00338-24	O-ring	1
04-18	00862-01	Reservoir end	1
04-36	00636-22	Hose	1
04-37	00634-01	Banjo bolt	1
04-38	00686-01	Seal washer	4
04-44	00817-01	Banjo bolt	1
04-45	00338-01	O-ring	1
04-46	00382-01	Screw	1

Fig.05



01250-14	S46HR1C1	SUZUKI GSX-1100-R	SU 635
Fig No.	Part No	Description	Qty
Compr. Valve			
05-01	00828-01	Screw	1
05-02	00820-02	Knob	1
05-04	00884-07	Ball	2
05-05	00833-01	Spring	2
05-06	01473-06	Circlip	1
05-07	01242-06	Adjustment needle	1
05-08	00338-79	O-ring	1
05-09	00338-27	O-ring	1
05-10	01243-08	End piece	1
05-12	01247-01	Check valve housing	1
05-13	01246-01	Wave washer	1
05-14	01245-01	Check valve shim	1
05-15	01244-05	Valve	1
05-16		Shims see spec.card	1
05-17	00641-01	Washer	1
05-18	00430-07	Nut	1