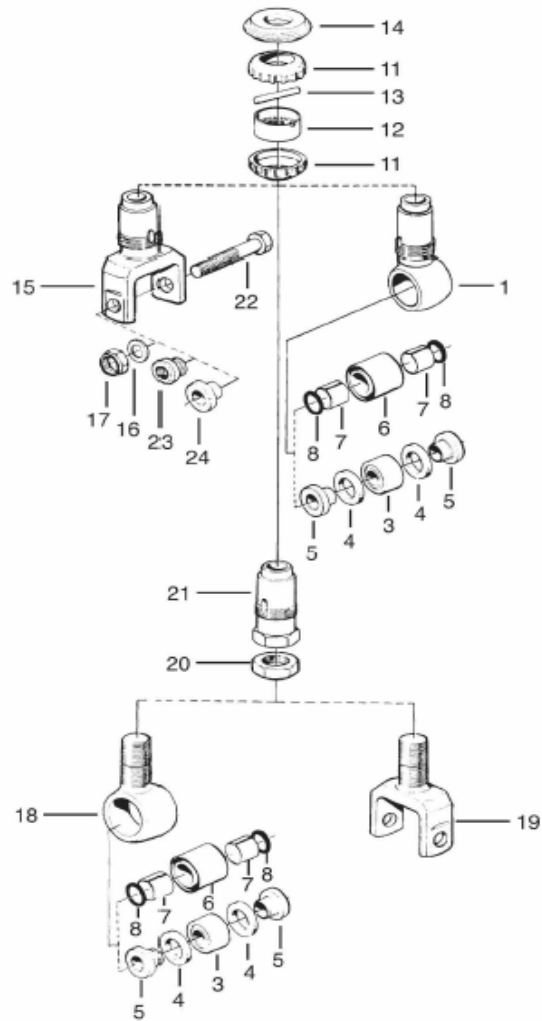




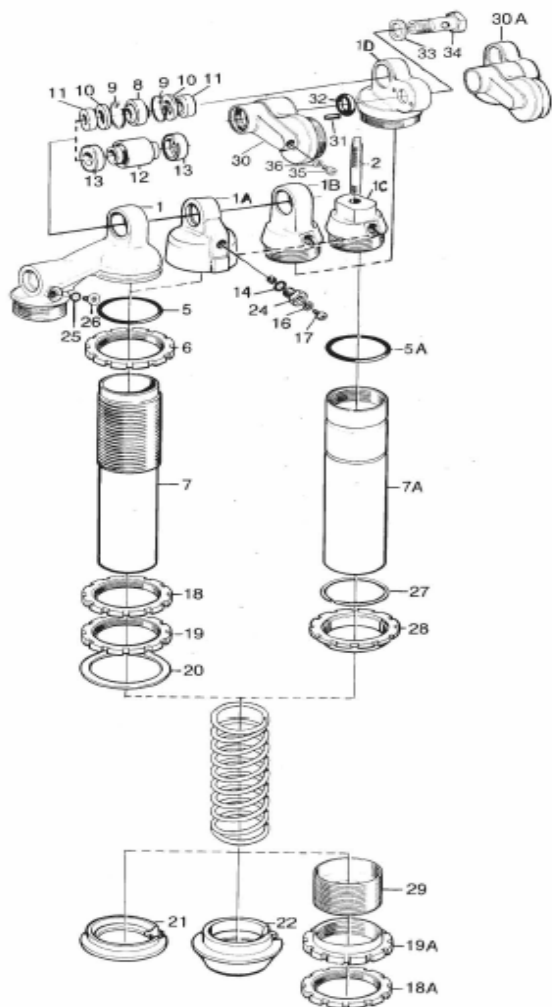
Fig.01



| <i>Suzuki</i> | | | |
|----------------|----------------|---------------------------------|---------------|
| <i>SU 503</i> | <i>46PRXLS</i> | <i>Suzuki GSXR 1000R</i> | <i>SU 503</i> |
| <i>Fig No.</i> | <i>Part No</i> | <i>Description</i> | <i>Qty</i> |
| End eye | | | |
| 01-11 | 01016-01 | Seal rebound adjuster | 2 |
| 01-12 | 01128-01 | Adjustment knob 25/33.1 | 1 |
| 01-13 | 01030-01 | Pin 4x30 CPr h8 | 1 |
| 01-19 | 03160-02 | Bracket adjustable 6mm 56/30/10 | 1 |
| 01-20 | 01059-01 | Nut M17x1/6.5 | 1 |
| 01-21 | 03109-01 | Shaft M15x1/16/44 | 1 |



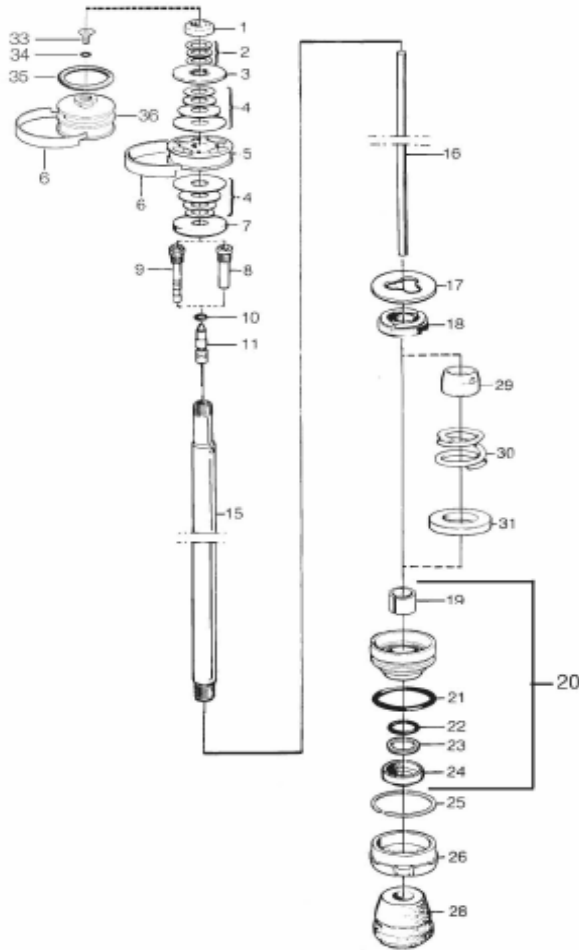
Fig.02



| <i>Suzuki</i> | | | |
|------------------|----------------|-----------------------------------|---------------|
| <i>SU 503</i> | <i>46PRXLS</i> | <i>Suzuki GSXR 1000R</i> | <i>SU 503</i> |
| <i>Fig No.</i> | <i>Part No</i> | <i>Description</i> | <i>Qty</i> |
| Body tube | | | |
| 02-05 | 00338-37 | O-ring 50x2.5 NBR70 | 1 |
| 02-07 | 04210-49 | Cylinder tube 46/134 Al | 1 |
| 02-08 | 00536-02 | Ball joint dia 14/26/15 | 1 |
| 02-09 | 00557-01 | Circlip 28/1.0 | 2 |
| 02-10 | 00534-01 | Seal ball joint 16/26/3.5 | 2 |
| 02-11 | 01218-12 | Spacer, ball joint 10x30 al | 2 |
| 02-20 | 00543-01 | Washer 57/73/1 | 1 |
| 02-21 | 00516-01 | Spring clip for springs 57 | 1 |
| 02-30A | 03103-06 | Cylinder head 46/28.5/26 X 49 res | 1 |
| 02-35 | 01597-02 | Screw M8x1 aluminium | 1 |
| 02-36 | 01048-01 | Seal washer dia 8 8.7x14x1 | 1 |
| | 01093-29 | Spring 57/150/90 | 1 |



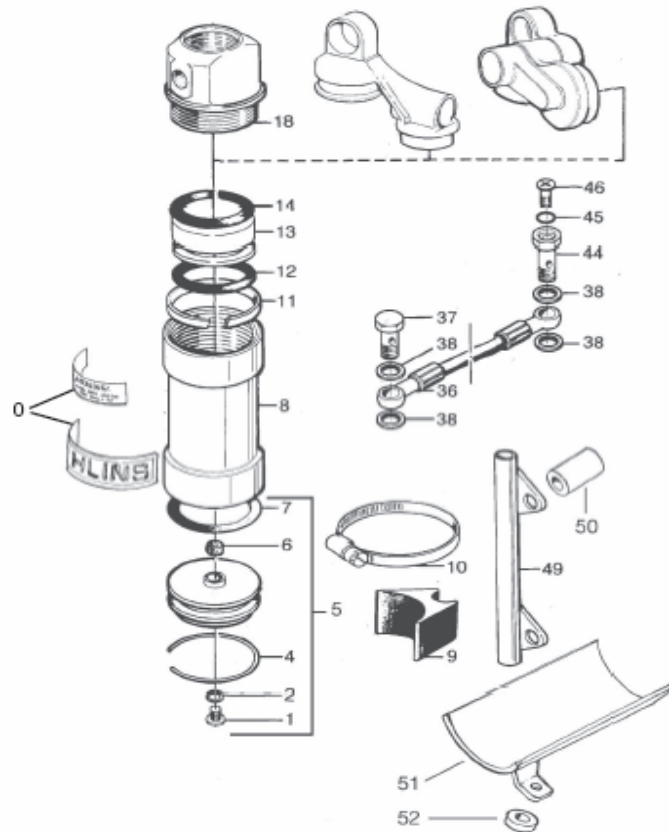
Fig.03



| <i>Suzuki</i> | | | |
|----------------|----------------|-------------------------------------|---------------|
| <i>SU 503</i> | <i>46PRXLS</i> | <i>Suzuki GSXR 1000R</i> | <i>SU 503</i> |
| <i>Fig No.</i> | <i>Part No</i> | <i>Description</i> | <i>Qty</i> |
| Shaft | | | |
| 03-01 | 00539-01 | Lock nut M12x1.25/7 | 1 |
| 03-02 | 00578-01 | Washer PS 12/18/1 | 3 |
| 03-03 | 00519-07 | Stop washer 12/20/2 flat | 1 |
| 03-05 | 03366-01 | Piston 12/46 MX sintered | 1 |
| 03-06 | 00541-01 | Piston ring 46 (INA 781561-1) | 1 |
| 03-07 | 00519-08 | Stop washer 12/37/4 TOP-OUT | 1 |
| 03-09 | 05666-18 | Valve assy dia 1.8 shaft bleed 4.0 | 1 |
| 03-10 | 00338-14 | O-ring 3.1x1.6 NBR70 | 1 |
| 03-11 | 05655-03 | Adjustment needle diam.4 | 1 |
| 03-15 | 05500-08 | Shaft 16/173 | 1 |
| 03-16 | 00566-59 | Adj.shaft 113.6/4.5 | 1 |
| 03-17 | 01069-02 | Spacer 16/37.8/2 Black | 2 |
| 03-18 | 05115-01 | Stop rubber 23/36/8 | 1 |
| 03-19 | 01056-13 | Bushing 16/18/12 DU | 1 |
| 03-20 | 05129-04 | Seal head assy 46/16 | 1 |
| 03-21 | 00576-01 | O-ring 40.2x3 NBR70 | 1 |
| 03-22 | 01027-01 | X-ring 15.54x2.62 NBR 88 | 1 |
| 03-23 | 01032-01 | Back-up ring 16/20.6/1.4 PTFE | 1 |
| 03-24 | 01031-02 | Scraper 16/26x8/5.5 | 1 |
| 03-25 | 00575-01 | Circlip SB 46, stainless | 1 |
| 03-26 | 01065-01 | End cap 46/16 | 1 |
| 03-28 | 00563-03 | Bump rubber 16/48/19 PUR 650 | 1 |
| 03-29 | 01132-02 | Top-out spring guide 16 - 5500shaft | 1 |
| 03-30 | 01131-02 | Stop spring 24.5/21.5/700N | 1 |
| 03-31 | 01269-02 | Spacer 16/38/2 | 1 |



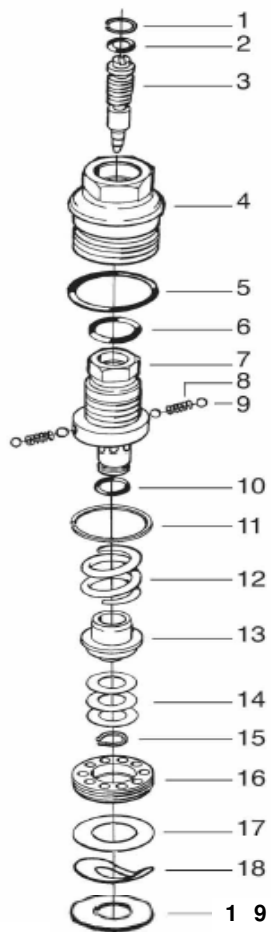
Fig.04



| <i>Suzuki</i> | | | |
|------------------|----------------|-------------------------------------|---------------|
| <i>SU 503</i> | <i>46PRXLS</i> | <i>Suzuki GSXR 1000R</i> | <i>SU 503</i> |
| <i>Fig No.</i> | <i>Part No</i> | <i>Description</i> | <i>Qty</i> |
| Reservoir | | | |
| 04-00 | 00191-02 | Sticker "ÖHLINS" blue/transp | 1 |
| 04-00 | 00196-01 | Sticker "Warning"black/transp 17x53 | 1 |
| 04-01 | 01050-01 | Screw DIN 7985 Torx A2 M4x6 | 1 |
| 04-02 | 00338-59 | O-ring 4.5x1.5 NBR70 | 1 |
| 04-04 | 00329-04 | Circlip 53/1.5 | 1 |
| 04-05 | 00161-04 | Reservoir top assy 49 | 1 |
| 04-07 | 00438-27 | O-ring 40x5 FKM70 £ | 1 |
| 04-08 | 00403-02 | Reservoir 49/90 | 1 |
| 04-11 | 00340-03 | Teflon band Dia 49/5 55-60D Shore D | 1 |
| 04-12 | 00438-27 | O-ring 40x5 FKM70 £ | 1 |
| 04-13 | 00405-01 | Reservoir piston 49 | 1 |
| 04-14 | 00438-26 | O-ring 44.04x3.53 NBR70 £ | 1 |



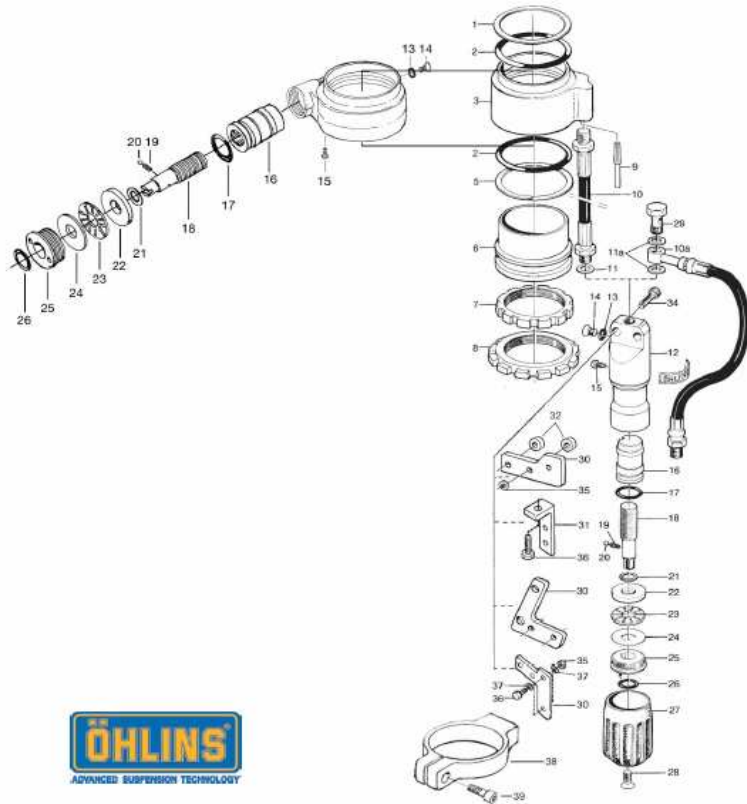
Fig.05



| <i>Suzuki</i> | | | |
|---------------------|----------------|--------------------------------|---------------|
| <i>SU 503</i> | <i>46PRXLS</i> | <i>Suzuki GSXR 1000R</i> | <i>SU 503</i> |
| <i>Fig No.</i> | <i>Part No</i> | <i>Description</i> | <i>Qty</i> |
| Compr. Valve | | | |
| 05-01 | 01473-01 | Circlip SRH 8 stainless | 1 |
| 05-02 | 00577-01 | O-ring 5.1x1.6 NBR70 | 1 |
| 05-03 | 05944-01 | Adjustment needle 1,5mm | 1 |
| 05-04 | 05943-01 | Needle housing | 1 |
| 05-05 | 00438-02 | O-ring 23.52x1.78 NBR70 | 1 |
| 05-06 | 00338-69 | O-ring 11.1x1.6 NBR70 | 1 |
| 05-07 | 05942-01 | End piece, 2-w comp.adj. click | 1 |
| 05-08 | 05945-01 | Spring SS2796 0,32x2x7,69 £ | 2 |
| 05-09 | 00884-02 | Ball 2.5-G20 £ | 4 |
| 05-10 | 00438-52 | O-ring 6.0x1 NBR 70 | 1 |
| 05-11 | 00575-13 | Circlip SB 23 | 1 |
| 05-12 | 04102-25 | Spring, k=50 N/mm, L=16mm | 1 |
| 05-13 | 04103-02 | Poppet valve, dia 14 | 1 |
| 05-14 | 01420-14 | Shims 6/14/0.20 | 3 |
| 05-15 | 01499-04 | Circlip SRA 6 | 1 |
| 05-16 | 04104-02 | Valve seat, dia 12 | 1 |
| 05-17 | 00520-23 | Shims 12/23/0.20 | 1 |
| 05-18 | 04105-01 | Wave washer 12/23/0,15 | 1 |
| 05-19 | 00530-23 | Shims 12/23/0.30 | 7 |



Fig.06



| Suzuki | | | |
|---------------------|----------------|------------------------------------|---------------|
| SU 503 | 46PRXLS | Suzuki GSXR 1000R | SU 503 |
| Fig No. | Part No | Description | Qty |
| Preload adj. | | | |
| 06-00 | 00191-06 | Sticker "ÖHLINS" blue/transp 18x46 | 1 |
| 06-01 | 03611-01 | Support ring di 54.4x3.25x1.5 | 1 |
| 06-03 | 03607-01 | Preload housing M10-hose | 1 |
| 06-04 | 00338-90 | O-ring 54X4 NBR70 | 2 |
| 06-05 | 03610-01 | Support ring 62.2x3.25x1.5 | 1 |
| 06-06 | 03606-01 | Inner sleeve hydr.prel.adj | 1 |
| 06-07 | 03609-01 | Lock nut 61/52/6 | 1 |
| 06-08 | 03608-01 | Guide nut 52/73/6 | 1 |
| 06-09 | 03613-01 | Pin CP 4x35 m6 A1 | 1 |
| 06-10a | 01042-09 | Hose M10x1/8/200 | 1 |
| 06-11a | 01048-01 | Seal washer dia 8 8.7x14x1 | 2 |
| 06-12 | 03600-01 | Adj. screw M12-left/52.25 | 1 |
| 06-13 | 00338-79 | O-ring 5.28x1.78 NBR70 | 1 |
| 06-14 | 00382-07 | Screw MFT (DIN7991) A2 M5x8 | 1 |
| 06-15 | 03601-02 | Guide screw M3x6.5 | 1 |
| 06-15 | 03614-01 | Seal washer dia 3 3.1x6.4x1.3 | 1 |
| 06-16 | 03604-01 | Piston 21/M12-left/31 | 1 |
| 06-17 | 00338-89 | O-ring 15.88x2.62 NBR70 | 1 |
| 06-18 | 03602-01 | Adj. screw M12-left/52.25 | 1 |
| 06-19 | 03083-01 | Spring 3/6.1/6.18 | 1 |
| 06-20 | 00884-03 | Ball 3-G40-X46CR13 | 1 |
| 06-21 | 00131-03 | Circlip SW 10 | 1 |
| 06-22 | 03072-02 | Thrust washer AS 1024 | 1 |
| 06-23 | 01023-02 | Thrust needle bearing AXK1024 | 1 |
| 06-24 | 03073-02 | Thrust washer LS 1024 | 1 |
| 06-25 | 03603-01 | Cover 29/10.3/9 | 1 |
| 06-26 | 00338-88 | O-ring 10x2.5 NBR70 | 1 |
| 06-27 | 03605-01 | Knob for hydr.prel.adj. with hose | 1 |
| 06-28 | 00382-08 | Screw MF6S 5x12 stainless | 1 |
| 06-29 | 00831-01 | Banjo bolt M8x1 | 1 |
| 06-34 | 01046-16 | Screw MC6S 6x20 A2 £ | 3 |
| 06-35 | 00430-02 | Nut M6 DIN 985 fzb kl8 | 2 |
| 06-36 | 03102-04 | Bracket hydr.prel on res 49-90deg | 1 |
| 06-37 | 00153-04 | Washer BRB SMS70 6.4/12/1.5 | 2 |
| 06-38 | 03102-04 | Bracket | 1 |
| 06-39 | 01046-16 | Screw | 1 |