

SU 149

Suzuki GSX-R 600



Öhlins shock absorber 46 PRXLS

Your Öhlins shock absorber type 46 PRXLS features the following adjusters:

Compression damping adjuster (X)

Adjustments are made on top of the reservoir.
Low speed adjustments: Slotted centre screw.
High speed adjustments: Hexagon screw.

Rebound damping adjuster (R)

Adjuster wheel on the piston shaft above the end bracket.

Spring preload adjuster (S)

Adjustments are made by turning the knob on the hydraulic adjuster.
Clockwise for harder adjustment, counter clockwise too release the preload.

Length adjuster (L)

Adjustment is made by turning the end eye and tightening with the lock nut.

NOTE!

When delivered the Öhlins shock absorber is dialed to recommended settings for the specific brand and make of the motorcycle. If you have changed the setting check like this:

The adjusters have a normal right hand thread. Turn the damping adjusters clockwise to fully closed (pos. zero [0]). Turn counter clockwise to open and count the clicks until you reach the recommended number of clicks. See Setup data at last page.

CAUTION!

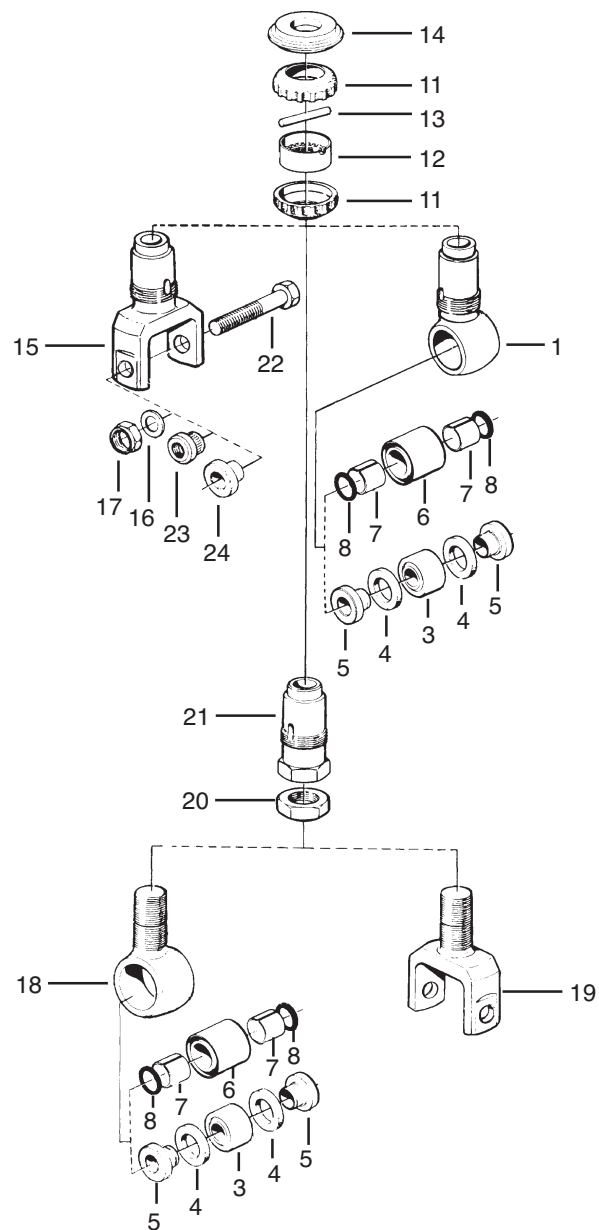
Do not use too much force, delicate sealing surfaces can be damaged.

SU 149

Suzuki GSX-R 600

End eye

FigNo.	Part No	Description	Qty
01-11	01016-01	Seal rebound adjuster	2
01-12	01128-01	Adjustment knob 25/33.1	1
01-13	01030-01	Pin 4x30 CPR h8	1
01-14	01017-01	Stop washer 20/46/10	1
01-19	03160-01	Bracket adjustable 6mm 52/30/10	1
01-20	01059-01	Nut M17x1/6.5	1
01-21	03109-01	Shaft M15x1/i16/44	1

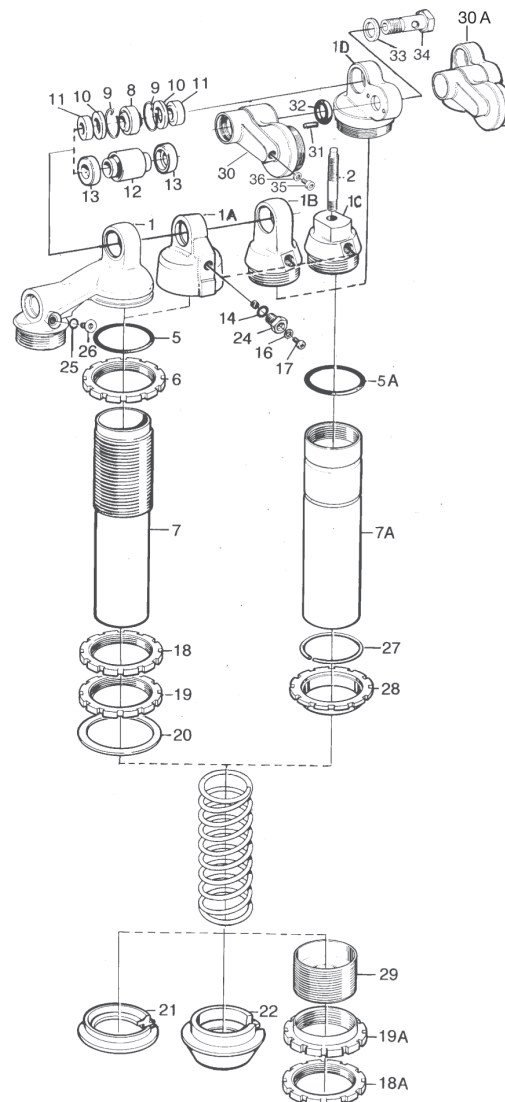


SU 149

Suzuki GSX-R 600

Body tube

Fig No.	Part No	Description	Qty
02-00	01091-18	Spring 57/160/68	1
02-01D	03091-01	Cylinder head adjustable 46	1
02-05	00338-37	O-ring 50x2.5 NBR70	1
02-07	01210-49	Cylinder tube 46/134 Al	1
02-08	00536-02	Ball joint dia 14/26/15	1
02-10	00534-01	Seal ball joint 16/26/3.5	2
02-11	01218-12	Spacer, ball joint 10x30 al	2
02-20	00543-01	Washer 57/73/1	1
02-22	00629-01	Spring clip for springs 57	1
02-25	00438-33	O-ring 5.6x1.6 NBR 70	1
02-25	00438-33	O-ring 5.6x1.6 NBR 70	1
02-26	00382-07	Screw MFT (DIN7991) A2 M5x8	1
02-26	00382-07	Screw MFT (DIN7991) A2 M5x8	1
02-30	03092-04	Comp adj. housing (5946 + 44 res.)	1
02-31	01030-08	Pin 2.5x12 CPr m6	1
02-32	00438-08	O-ring 14x3 NBR70	1
02-33	05086-01	Seal washer dia 14 14.7x22x1.5	1
02-34	03093-01	Banjo bolt cylinder head	1

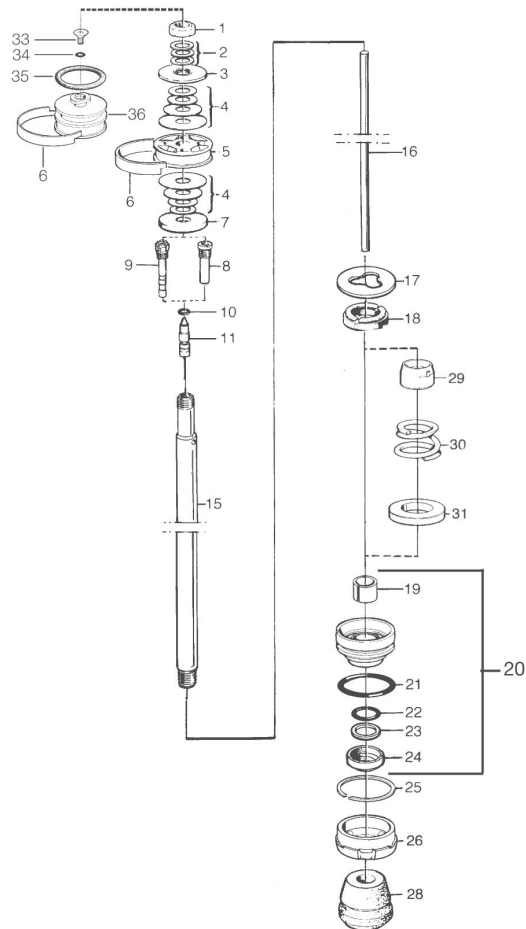


SU 149

Suzuki GSX-R 600

Shaft

Fig No.	Part No	Description	Qty
03-01	00539-01	Lock nut M12x1.25/7	1
03-02	00578-01	Washer PS 12/18/1	5
03-03	00519-07	Stop washer 12/20/2 flat	1
03-05	01114-14	Piston 12/46	1
03-06	00541-01	Piston ring 46	1
03-07	00519-08	Stop washer 12/37/4 TOP-OUT	1
03-09	05666-14	Valve assy dia 1.4 shaft bleed 4.0	1
03-10	00338-14	O-ring 3.1x1.6 NBR70	1
03-11	05655-03	Adjustment needle diam.4	1
03-15	05500-08	Shaft 16/173	1
03-16	00566-59	Adj.shaft 113.6/4.5	1
03-18	05115-01	Stop rubber 23/36/8	1
03-19	01056-13	Bushing 16/18/12 DU	1
03-20	05129-04	Seal head assy 46/16	1
03-21	00576-01	O-ring 40.2x3 NBR70	1
03-22	01027-01	X-ring 15.54x2.62 NBR 88	1
03-23	01032-01	Back-up ring 16/20.6/1.4 PTFE	1
03-24	01031-02	Scraper 16/26x8/5.5	1
03-25	00575-01	Circlip SB 46, stainless	1
03-26	01065-01	End cap 46/16	1
03-28	00563-03	Bump rubber 16/47/19 PUR 650	1
03-29	01132-02	Top-out spring guide 16 - 5500shaft	1
03-30	01131-02	Stop spring 24.5/21.5/700N	1
03-31	01269-02	Spacer 16/38/2	1

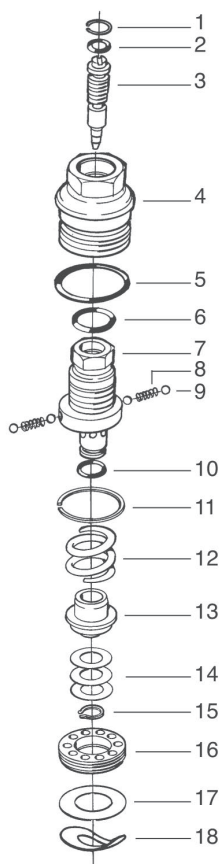


SU 149

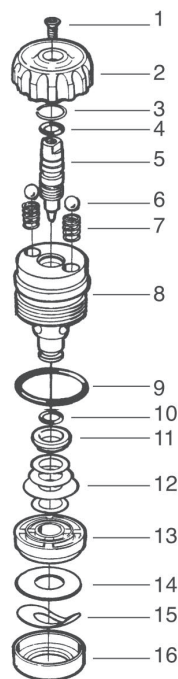
Suzuki GSX-R 600

Comp. Valve

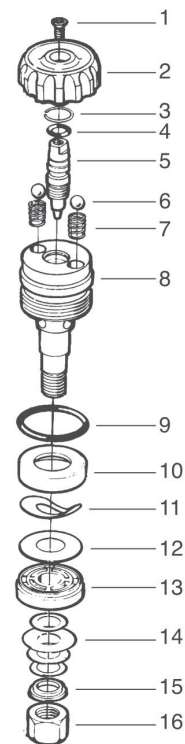
Fig No.	Part No	Description	Qty
05-01	01473-01	Circlip SRH 8 stainless	1
05-02	00577-01	O-ring 5.1x1.6 NBR70	1
05-03	05944-01	Adjustment needle 1,5mm	1
05-04	05942-01	End piece, 2-w comp.adj. click	1
05-05	00438-02	O-ring 23.52x1.78 NBR70	1
05-06	00338-69	O-ring 11.1x1.6 NBR70	1
05-07	05943-01	Needle housing	1
05-08	05945-01	Spring SS2796 0,32x2x7,69	2
05-09	00884-02	Ball 2.5-G20	4
05-10	00438-52	O-ring 6x1 NBR 70	1
05-11	00575-13	Circlip SB 23	1
05-12	04102-25	Spring, k=50 N/mm, L=16mm	1
05-13	04103-02	Poppet valve, dia 14	1
05-14	01420-14	Shims 6/14/0.20	3
05-15	01499-04	Circlip SRA 6	1
05-16	04104-02	Valve seat, dia 12	1
05-17	00520-23	Shims 12/23/0.20	1
05-18	04105-01	Wave washer 12/23/3.2	1



5946-xx



1249-xx



1250-xx

SU 149

Suzuki GSX-R 600

Preload adjuster

Fig No.	Part No	Description	Qty
06-00	00191-06	Sticker "ÖHLINS" blue/transp 18x46	1
06-01	03611-01	Support ring di 54.4x3.25x1.5	1
06-03	03607-01	Preload housing M10-hose	1
06-04	00338-90	O-ring 54X4 NBR70	2
06-05	03610-01	Support ring 62.2x3.25x1.5	1
06-06	03606-01	Inner sleeve hydr.prel.adj	1
06-07	03609-01	Lock nut 61/52/6	1
06-08	03608-01	Guide nut 52/73/6	1
06-09	03613-01	Pin CP 4x35 m6 A1	1
06-10	01047-09	Hose M8x1/M10x1/550	1
06-11	01048-01	Seal washer dia 8 8.7x14x1	1
06-12	03600-01	Adj.cylinder hydr.prel.adj 2:1 10mm	1
06-13	00338-79	O-ring 5.28x1.78 NBR70	1
06-14	00382-07	Screw MFT (DIN7991) A2 M5x8	2
06-15	03601-02	Guide screw M3x6.5	1
06-15	03614-01	Seal washer dia 3 3.1x6.4x1.3	1
06-16	03604-01	Piston 21/M12-left/31	1
06-17	00338-89	O-ring 15.88x2.62 NBR70	1
06-18	03602-01	Adj. screw M12-left/51.5	1
06-19	03083-01	Spring 3/6.1/6.18	1
06-20	00884-03	Ball 3-G40-X46CR13	1
06-21	00131-03	Circlip SW 10	1
06-22	03073-02	Thrust washer LS 1024	1
06-23	01023-02	Thrust needle bearing AXK1024	1
06-24	03072-02	Thrust washer AS 1024	1
06-25	03603-01	Cover 29/10.3/9	1
06-26	00338-88	O-ring 10x2.5 NBR70	1
06-27	03605-01	Knob for hydr.prel.adj. with hose	1
06-28	00382-08	Screw MF6S 5x12 stainless	1
06-30	01082-01	Bracket hydraulic preload adjust.	1
06-34	01046-02	Bolt MC6S 6x30 8.8 fzb	2
06-35	00430-02	Nut M6 DIN 985 fzb kl8	2
06-36	01046-21	Bolt MC6S 8x40 8.8 fzb	1

