

*S36P for SUZUKI*

***SU 1431***

*Spare Parts List*



ADVANCED SUSPENSION TECHNOLOGY

## SAFETY PRECAUTIONS

### General Warnings

**Note!**

The shock absorber/front fork/steering damper is an important part of the vehicle and will affect the stability.

**Note!**

Read and ensure you understand the information in this manual and other technical documents provided by Öhlins, before using the product.

**Note!**

Öhlins Racing AB can not be held responsible for any damage to the shock absorber/front fork/steering damper, vehicle, other property or injury to persons, if the instructions for mounting, usage and maintenance are not followed exactly.

**Warning!**

After installing the Öhlins product, take a test ride at low speed to ensure your vehicle has maintained stability.

**Warning!**

If the suspension makes an abnormal noise, or the function is irregular, or if you notice any leakage from the product, stop the vehicle immediately and return the product to an Öhlins Service Centre.

**Warning!**

The product warranty shall only apply if the product has been operated and maintained in accordance with recommendations in this manual. If you have any questions regarding usage, service, inspection and/or maintenance please contact Öhlins.

**Note!**

When working with the Öhlins product, always read the Vehicle Service Manual.

### Product Specific Warnings

**Warning!**

This product was developed and designed exclusively for a specific vehicle model and shall only be installed on the intended vehicle model in its original condition as delivered from the vehicle manufacturer.

**Warning!**

This product contains pressurized nitrogen gas (N<sub>2</sub>). Do not open, service or modify this product without proper education (authorized Öhlins dealer/distributor) and proper tools.

### Safety Symbols

In this manual, mounting instructions and other technical documents, important information concerning safety is distinguished by the following symbols:



The Safety Alert Symbol means: **Warning!** Your safety is involved.

**Warning!**

The Warning Symbol means: Failure to follow warning instructions can result in severe or fatal injury to anyone working with, inspecting or using the shock absorber, or to bystanders.



**Caution!**

The Caution Symbol means: Special precautions must be taken to avoid damage to the shock absorber.

**Note!**

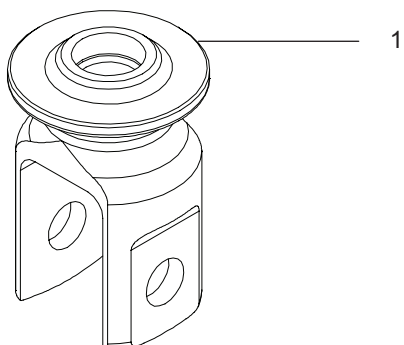
The Note Symbol indicates information that is important regarding procedures.

© Öhlins Racing AB. All rights reserved.  
Any reprinting or unauthorized use without the written permission of Öhlins Racing AB is prohibited.

## TABLE OF CONTENTS

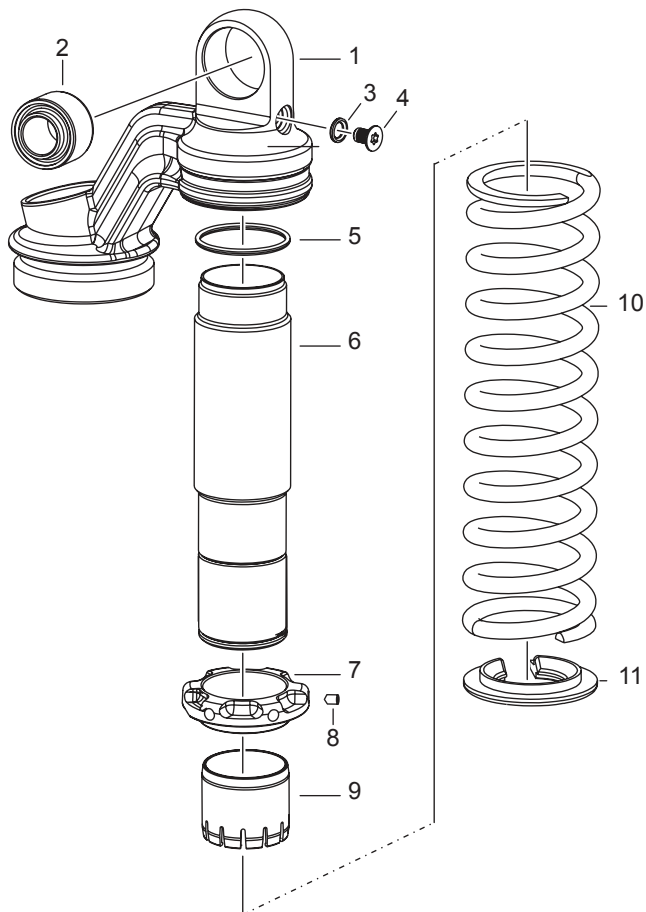
Figure 1 End piece assembly .....	3
Figure 2 Cylinder head and tubes .....	3
Figure 3 Shaft assembly .....	4
Figure 4 Reservoir .....	5
Figure 5 Valve assembly .....	5

**Figure 1 End bracket**



Pos	Part no	Pcs	Description	Notes
1-1	63152-24	1	End bracket	

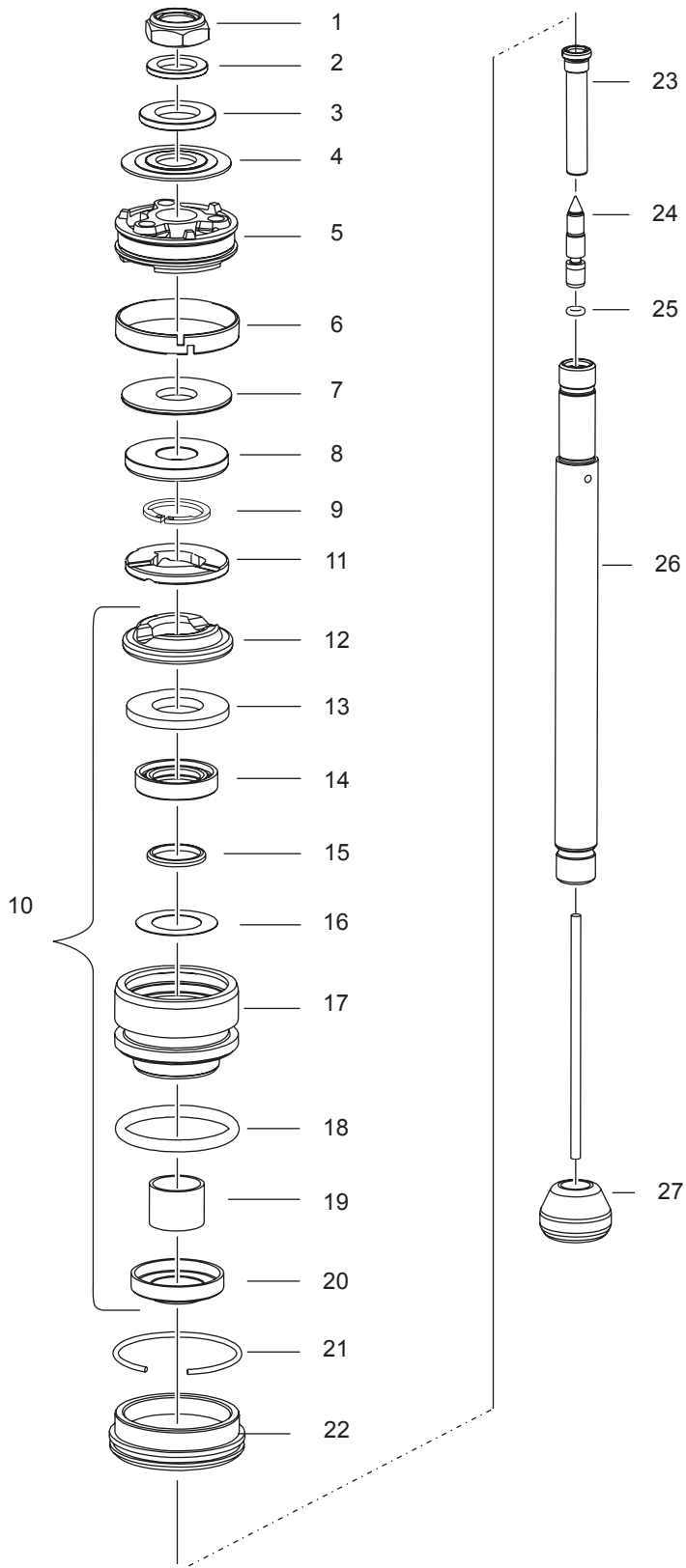
**Figure 2 Cylinder head and tubes**



Pos	Part no	Pcs	Description	Notes
2-1	00303-13	1	Cylinder head	
2-2	00124-18	1	Rubber bushing	
2-3	00438-33	1	O-ring	
2-4	00382-07	1	Screw	
2-5	00338-02	1	O-ring	
2-6	67300-17	1	Cylinder tube	
2-7	03251-01	1	Spring adjuster	
2-8	05410-02	1	Stop screw	
2-9	00417-02	1	Support sleeve	
2-10	60480-03	1	Spring	
2-11	00116-07	1	Spring clip	

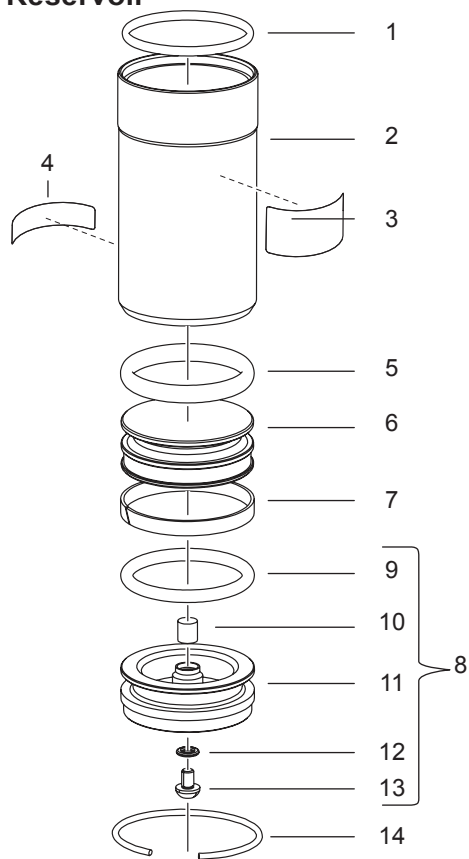
# SU 1431

Figure 3 Shaft assembly



Pos	Part no	Pcs	Description	Notes
3-1	00539-01	1	Lock nut	
3-2	-	-	-	
3-3	00519-07	1	Valve stop	
3-4	-	-	Shim stack	See spec. card
3-5	03377-40	1	Piston	
3-6	03078-01	1	Piston ring	
3-7	-	-	Shim stack	See spec. card
3-8	03068-01	1	Valve stop	
3-9	00436-01	1	Circlip valve stop	
3-10	03164-08	1	Seal head aasy.	
3-11	03269-02	1	Spacer	
3-12	03067-02	1	Stop rubber	
3-13	04752-02	1	Washer	
3-14	04717-02	1	Seal	
3-15	01032-09	1	Back up ring	
3-16	04729-02	1	Shim	
3-17	63064-03	1	Seal head	
3-18	00338-09	1	O-ring	
3-19	01056-12	1	Bushing	
3-20	03070-05	1	Scraper	
3-21	00128-01	1	Circlip	
3-22	63065-02	1	End cap	
3-23	60160-09	1	Shaft jet	
3-24	01055-03	1	Adjustment valve	
3-25	00338-14	1	O-ring	
3-26	03062-02	1	Shaft	
3-27	03063-01	1	Bump rubber	

Figure 4 Reservoir



Pos	Part no	Pcs	Description	Notes
4-1	00338-24	1	O-ring	
4-2	00302-02	1	Reservoir	
4-3	00196-01	1	Sticker Warning	
4-4	60191-01	1	Sticker Öhlins	
4-5	00338-04	1	O-ring	
4-6	00305-01	1	Reservoir piston	
4-7	00340-01	1	Teflon band	
4-8	00161-83	1	Reservoir top assy	
4-9	00338-04	1	O-ring	
4-10	00604-01	1	Rubber valve	
4-11	00561-03	1	Reservoir end	
4-12	00338-59	1	O-ring	
4-13	01050-01	1	Screw	
4-14	00329-01	1	Circlip	

Your Öhlins retailer:

Öhlins Asia Co.,Ltd  
700/937 Moo5, Nongkhaka,  
Phanthong Chonburi 20160  
Thailand

Phone: +66 (0)38 212 291-6  
Fax: +66 (0)38 212 297  
[www.ohlins.com](http://www.ohlins.com)



[www.ohlins.com](http://www.ohlins.com)