

**Shock Absorber TTX39  
KTM 1290 Super Duke**

**KT 3021**

**Spare Parts List**





ADVANCED SUSPENSION TECHNOLOGY

## Safety Precautions

### **Note!**


The shock absorber is a very important part of the vehicle and will therefore affect the stability of the vehicle.


 Read and make sure that you understand the information in this manual and the mounting instructions before you use this product. If you have any questions regarding installation or maintenance please contact your nearest Öhlins dealer.

 Öhlins Racing AB can not be held responsible for any damage to the shock absorber, vehicle, other property or injury to persons, if the instructions for installing and maintenance are not followed exactly.

### **Warning!**


This product was developed and designed exclusively for a specific vehicle model and should only be installed on the intended vehicle model in its original condition as delivered from the vehicle manufacturer.

 This product contains pressurized nitrogen gas (N<sub>2</sub>). Do not open, service or modify this product without proper education (authorized Öhlins dealer/distributor) or proper tools.

 After installing this product, take a test ride at low speed to make sure that your vehicle has maintained its stability.

### **Note!**

When working on this product, always consult your Vehicle Service Manual.

 This Manual should be considered as a part of the product and should therefore accompany the product throughout its life cycle.

## Safety Symbols

In this manual, mounting instructions and other technical documents, important information concerning safety is distinguished by the following symbols:



The Safety Alert Symbol means: Warning! Your safety is involved.

### **Warning!**

The Warning Symbol means: Failure to follow warning instructions can result in severe or fatal injury to anyone working with, inspecting or using the shock absorber, or to bystanders.



### **Caution!**

The Caution Symbol means: Special precautions must be taken to avoid damage to the shock absorber.

### **Note!**

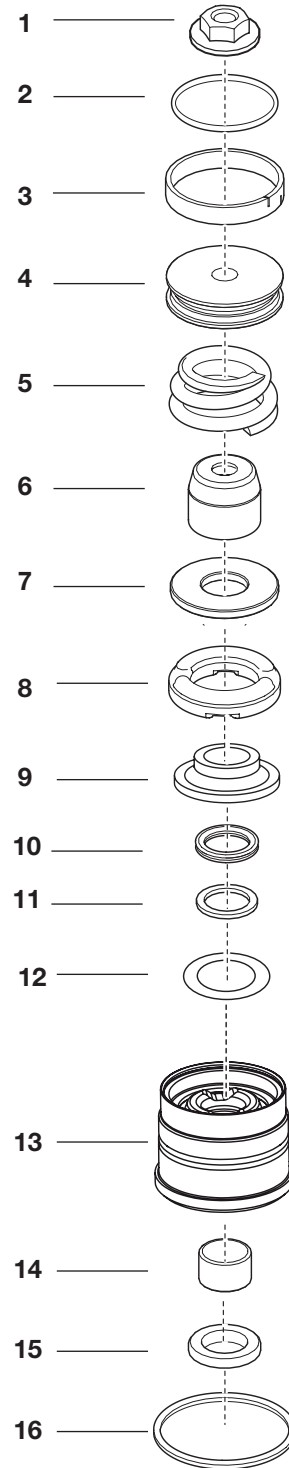
The Note Symbol indicates information that is important regarding procedures.

© Öhlins Racing AB. All rights reserved. Any reprinting or unauthorized use without the written permission of Öhlins Racing AB is prohibited.  
Printed in Sweden.

Fig.1

Shaft assy

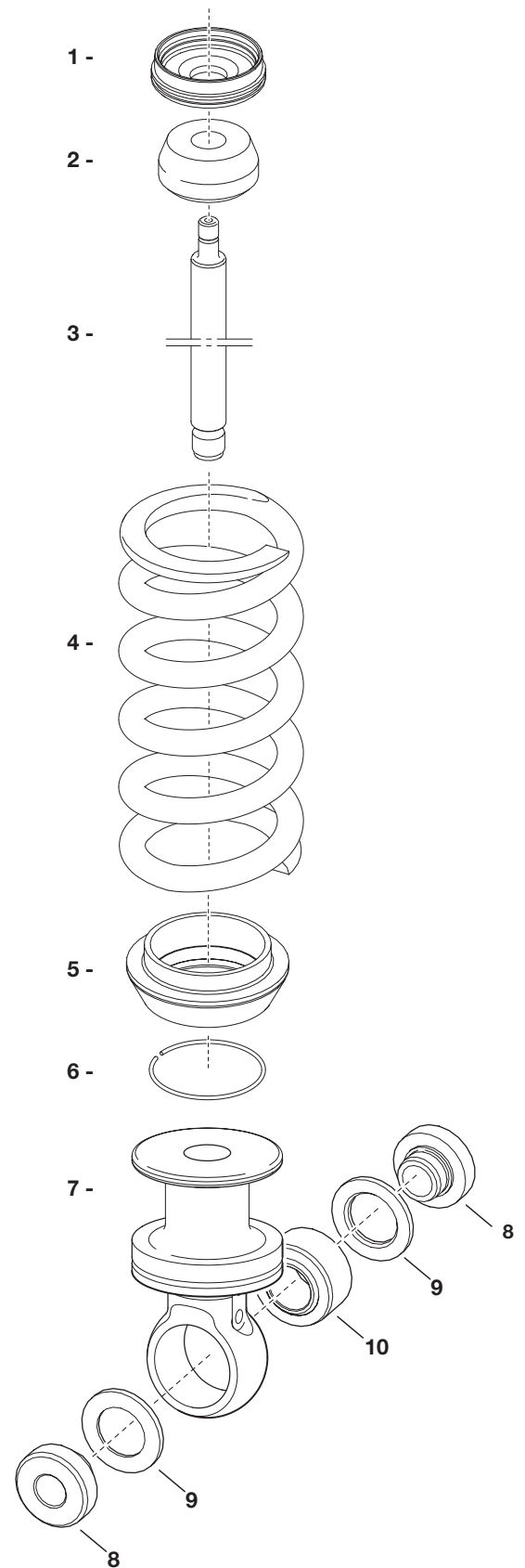
Pos	Part No.	Pcs	Description	Type/Remarks
1-1	21855-01	1	Flange nut	
1-2	00638-73	1	O-ring	
1-3	21018-02	1	Piston band	
1-4	21847-01	1	Piston	
1-5	21031-05	1	Top out spring	
1-6	21848-01	1	Top out spring guide	
1-7	21841-03	2	Spacer	
1-7	21841-08	1	Spacer	
	<b>21858-01</b>	<b>1</b>	<b>Seal head assy</b>	
1-8	05115-01	1	Stop rubber	
1-9	21856-01	1	Stop spacer	
1-10	04717-02	1	Seal	
1-11	01032-09	1	Back up ring	
1-12	04729-02	1	Shim	
1-13	21859-01	1	Seal head	
1-14	01056-15	1	Bushing	
1-15	03070-01	1	Scraper	
1-16	00338-24	1	O-ring	



**Fig.2**

Pos	Part No.	Pcs	Description	Type/Remarks
2-1	21843-01	1	End cap	
2-2	21029-01	1	Bump rubber	
2-3	21846-02	1	Shaft	
	00543-01	1	Washer spring support	
2-4	01092-69	1	Spring	Standard
2-5	21854-01	1	Spring clip	
2-6	00329-22	1	Circlip	
2-7	21849-03	1	End eye	
2-8	01218-73	2	Spacer ball joint	
2-9	00534-01	2	Seal ball joint	
2-10	00536-13	1	Ball joint	

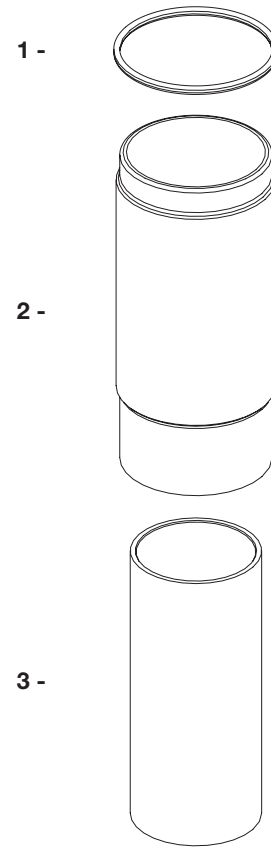
**Shaft assy**



**Fig.3**

Pos	Part No.	Pcs	Description	Type/Remarks
3-1	00338-37	1	O-ring	
3-2	21845-01	1	Outer tube	
3-3	21842-01	1	Inner tube	

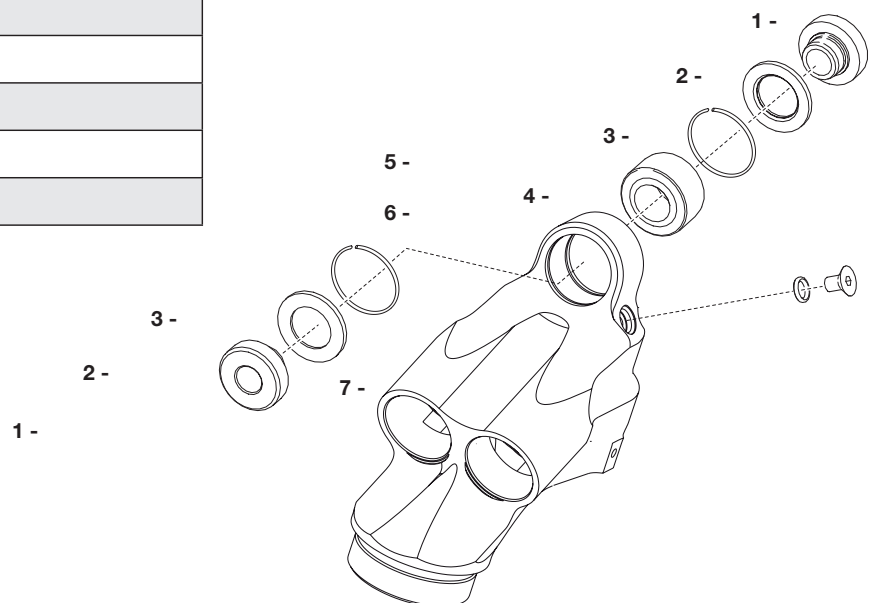
**Cylinder tubes**



**Fig.4**

Pos	Part No.	Pcs	Description	Type/Remarks
4-1	01218-73	2	Spacer, ball joint	
4-2	00534-01	2	Seal ball joint	
4-3	00557-01	2	Circlip	
4-4	00536-13	1	Ball joint	
4-5	00382-07	1	Screw	
4-6	00438-33	1	O-ring	
4-7	21850-03	1	Cylinder head	

**Cylinder head**



**Fig.5**

Pos	Part No.	Pcs	Description	Type/Remarks
5-1	00329-01	1	Circlip	
5-2	01050-01	1	Screw	
5-3	00338-59	1	O-ring	
5-4	00161-03	1	Reservoir top assy	
5-5	00338-04	1	O-ring	
5-6	00305-01	1	Piston	
5-7	00340-01	1	Teflon band	
5-8	00338-26	1	O-ring	
5-9	00196-01	1	Sticker "Warning"	
5-10	00302-02	1	Reservoir	
5-11	00191-24	1	Sticker "Öhlins"	
5-12	00338-24	1	O-ring	

## Reservoir assy

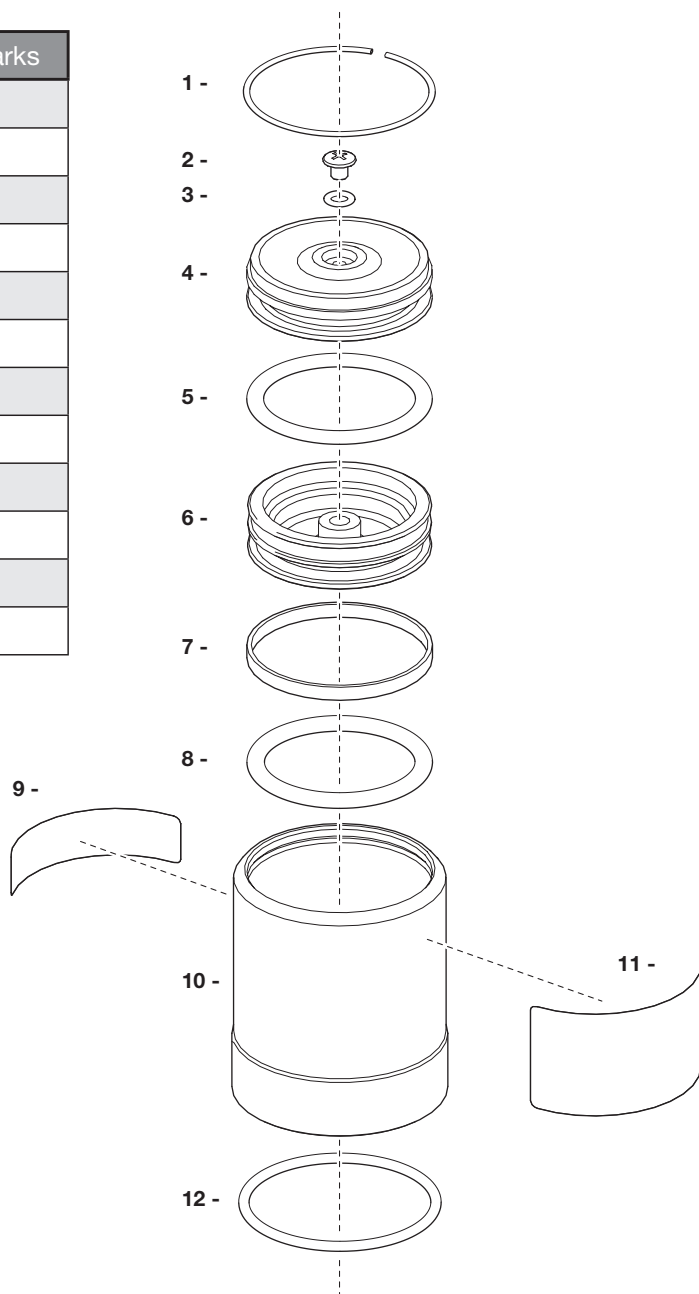
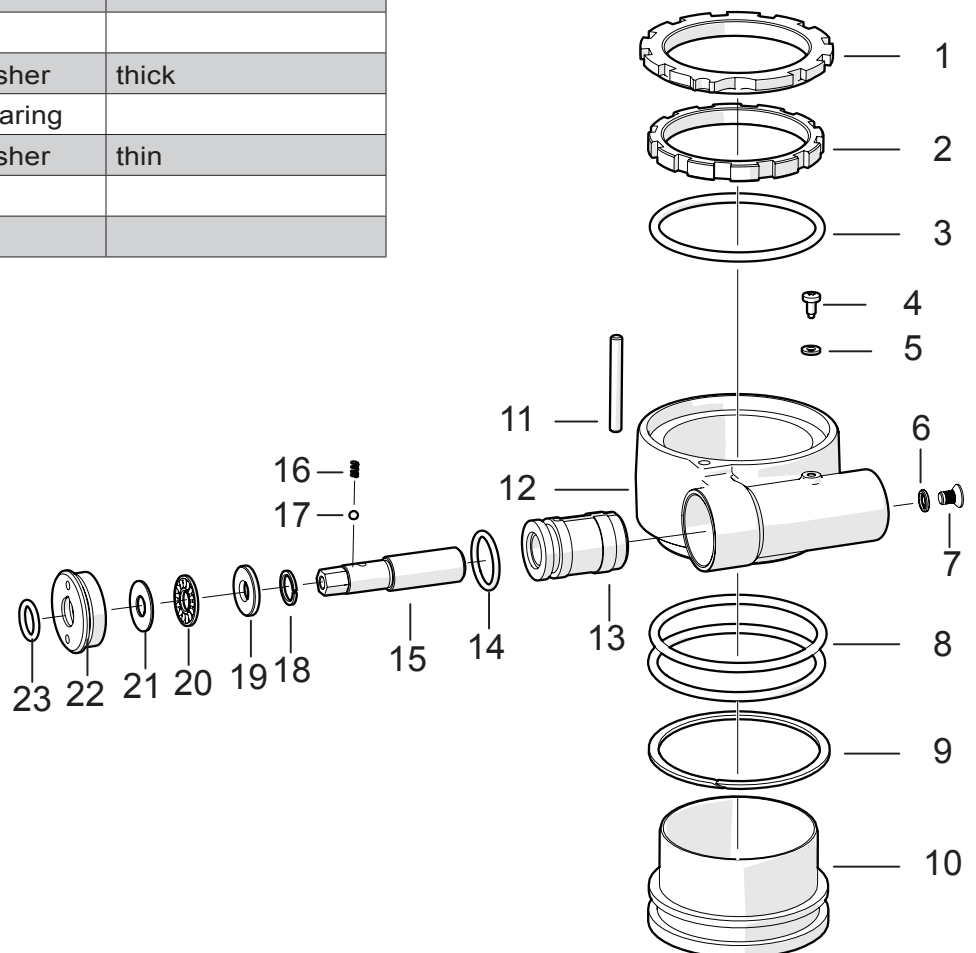


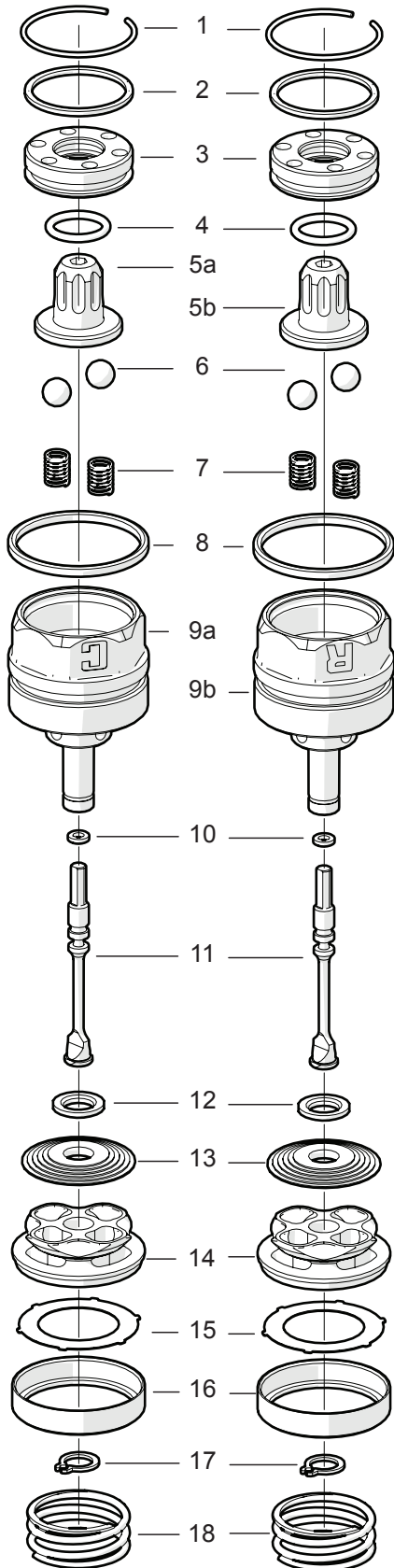
Fig.6

Preload housing assy

Pos	Part No	Pcs	Description	Notes
6-1	03608-01	1	Stop ring	
6-2	03609-01	1	Adj. ring	
6-3	03610-01	1	Support ring	
6-4	03601-02	1	Guide screw	
6-5	03614-01	1	Seal washer	
6-6	00338-59	1	O-ring	
6-7	00382-05	1	Screw	
6-8	00338-90	2	O-ring	
6-9	03611-01	1	Support ring	
9-10	03606-01	1	Inner sleeve	
9-11	03613-01	1	Pin	
9-12	03612-02	1	Housing	
9-13	03604-01	1	Piston	
9-14	00338-89	1	O-ring	
9-15	03602-01	1	Adj. screw	
9-16	03083-01	1	Spring	
9-17	00884-03	1	Ball	
9-18	00131-03	1	Circlip	
9-19	03073-02	1	Thrust washer	thick
9-20	01023-02	1	Needle bearing	
9-21	03072-02	1	Thrust washer	thin
9-22	03603-01	1	Cover	
9-23	00338-88	1	O-ring	



**Figure 7 - Compression and rebound adjuster**



Pos	Part No	Pcs	Description	Notes
7-1	00557-08	2	Circlip	
7-2	00338-78	2	O-ring	
7-3	21053-01	2	Adjuster cap	
7-4	00438-63	2	O-ring	
7-5a	21052-01	1	Adjuster knob gold	Compression
7-5b	21052-02	1	Adjuster knob alum.	Rebound
7-6	00884-07	4	Ball	
7-7	00833-02	4	Spring	
7-8	00438-02	2	O-ring	
7-9a	21043-05	1	Housing	Compression
7-9b	21043-06	1	Housing	Rebound
7-10	00338-95	2	O-ring	
7-11	21051-01	2	Adjuster needle	
7-12	01449-xx	-	Clamp washer	See spec.card
7-13	-	-	Shim stack	See spec.card
7-14	21044-30	2	Piston	
7-15	21045-02	2	Check valve	
7-16	21047-01	2	Check valve housing	
7-17	05009-06	2	Circlip	
7-18	21046-30	2	Check valve spring	



Your Öhlins retailer:



Öhlins Racing AB  
Box 722  
SE-194 27, Upplands Väsby  
Sweden

Phone: +46 (0)8 590 025 00  
Fax: +46 (0)8 590 025 80  
[www.ohlins.com](http://www.ohlins.com)



[www.ohlins.com](http://www.ohlins.com)