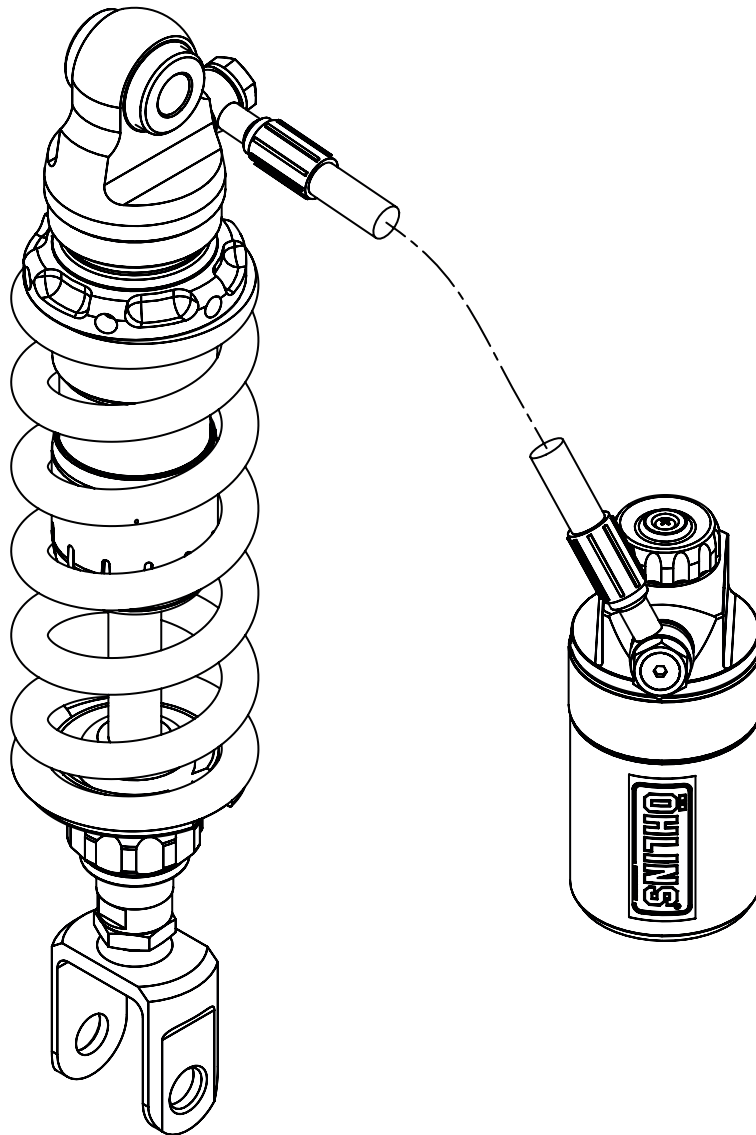


# Spare Parts List

---

Kawasaaki Ninja 300



KA 841 3

## Safety signals

Important information concerning safety is distinguished in this manual by the following notations:



This Safety alert symbol means: Caution! Your safety is involved.

### **⚠ WARNING!**

Failure to follow warning instructions could result in severe or fatal injury to anyone working with, inspecting or using the suspension, or to bystanders.

### **CAUTION!**

Caution indicates that special precautions must be taken to avoid damage to the suspension.

### **NOTE!**

This indicates information that is of importance with regard to procedures.

### **⚠ WARNING!**

1. Installing a suspension, that is not approved by the vehicle manufacturer, may affect the stability of your vehicle. Öhlins Racing AB cannot be held responsible for any personal injury or damage whatsoever that may occur after fitting the suspension. Contact an Öhlins dealer for advice.

2. Please study and make certain that you fully understand all the mounting instructions and the owner's manuals before handling this suspension kit. If you have any questions regarding proper installation procedures, contact an Öhlins dealer.

3. The vehicle service manual must be referred to when installing the Öhlins suspension.

### **NOTE!**

Öhlins products are subject to continual improvement and development. Consequently, although these instructions include the most up-to-date information available at the time of printing, there may be minor differences between your suspension and this manual. Please consult your Öhlins dealer if you have any questions with regard to the contents of the manual.

### **NOTE!**

During storage and transportation, especially at high ambient temperature, the oil and grease used for assembling may run out inside the packing and damage the expanded polystyrene packing material. This is not unusual and is in no way detrimental to the suspension.

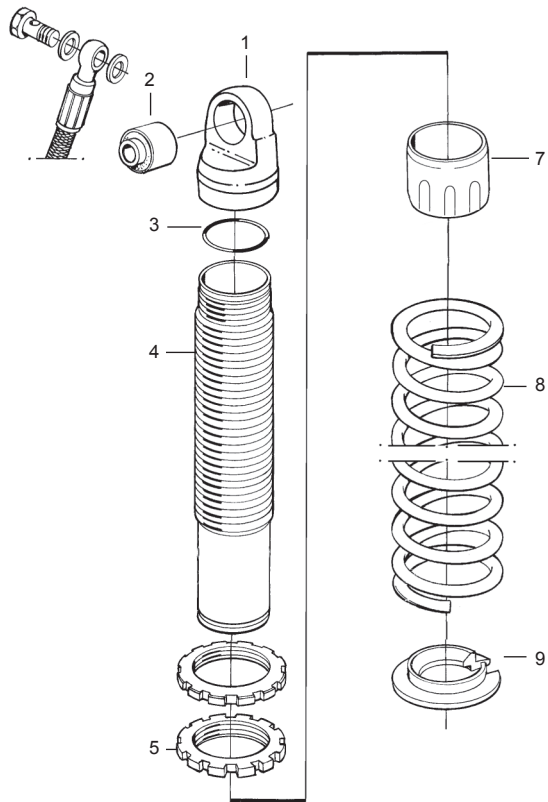
## Introduction

All of Öhlins advanced suspension products are adapted to the brand and model. This means that length, travel spring action and damping characteristics, are tested individually just for the motorcycle that you have decided to fit with Öhlins suspension.

## Before installation

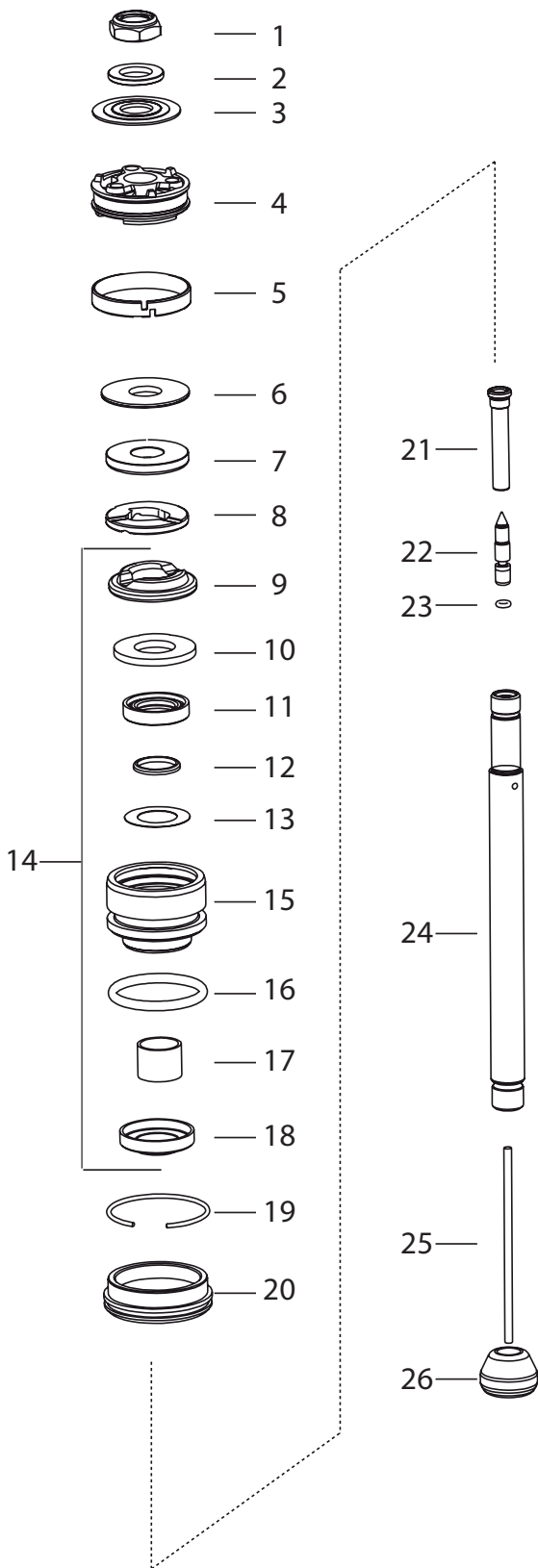
Öhlins Racing AB cannot be held responsible for any damage whatsoever to suspension or vehicle, or injury to persons, if the instructions for fitting and maintenance are not followed exactly. Similarly, the warranty will become null and void if the instructions are not adhered to.

Fig.1



Pos	Part No.	Pcs	Description	Remarks
1-1	00201-45	1	Cylinder head	
1-2	00536-13	1	Ball joint	
	01218-02	2	Spacer Ball joint	
1-3	00338-02	1	O-ring	
1-4	67300-08	1	Cylinder tube	
1-5	03251-02	1	Spring adjuster	
	05410-02	1	Screw spring platform	
1-7	00417-02	1	Support sleeve	
1-8	60281-09	1	Spring	
1-9	00116-03	1	Spring clip	

Fig.2



Pos	Part No.	Pcs	Description	Remarks
2-1	00539-01	1	Lock nut	
2-2	00519-05	1	Valve stop	
2-3	-	-	Shim stack	See spec.card
2-4	03077-40	1	Piston	
2-5	03078-01	1	Piston ring	
2-6	-	-	Shim stack	See spec.card
2-7	03068-01	1	Valve stop	
	00436-01	1	Circlip valve stop	
2-8	03269-02	2	Spacer	
	03269-03	1	Spacer	
2-9	03067-02	1	Stop rubber	
2-10	04752-02	1	Washer	
2-11	04717-02	1	Seal	
2-12	01032-09	1	Back up ring	
2-13	04729-02	1	Shim	
2-14	03164-08	1	Seal head assy	
2-15	63064-03	1	Seal head	
2-16	00338-09	1	O-ring	
2-17	01056-12	1	Bushing	
2-18	03070-05	1	Scraper	
2-19	00128-01	1	Circlip	
2-20	63065-02	1	End cap	
2-21	01021-04	1	Shaft jet	
2-22	01055-04	1	Adjustment valve	
2-23	00338-14	1	O-ring	
2-24	03062-09	1	Shaft	
2-25	00566-94	1	Adjustment shaft	
2-26	00163-18	1	Bump rubber	
2-27	03058-02	1	Shaft extension	
2-28	01030-07	1	Pin	
2-29	00338-83	1	O-ring	
2-30	00338-25	1	O-ring	
2-31	03057-01	1	Adjustment knob	
2-32	03059-01	1	Nut	
2-33	03085-02	1	End eye	

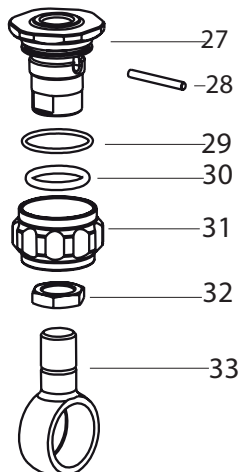
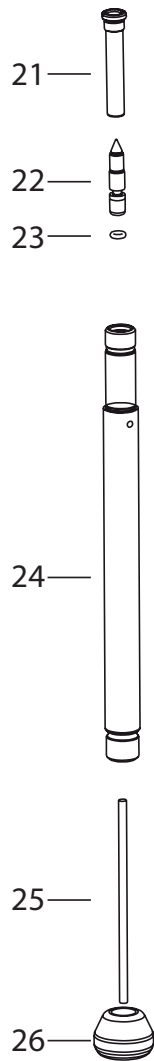
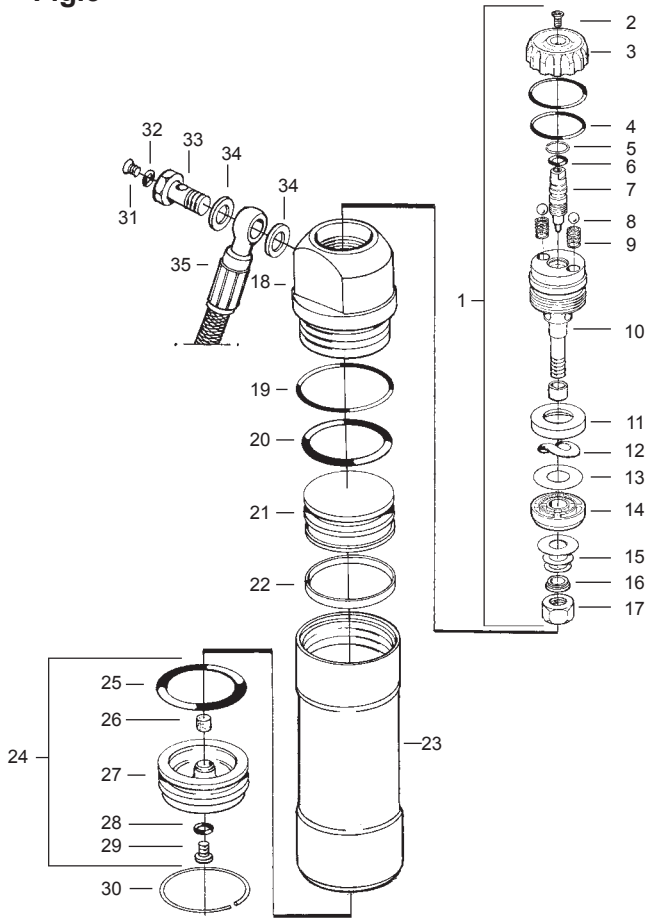


Fig.3



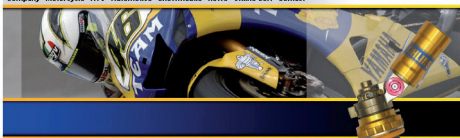
Pos	Part No.	Pcs	Description	Remarks
3-1	01250-34	1	Comp.adj.	
3-2	00828-01	1	Screw	
3-3	00820-02	1	Adjustment wheel	
3-4	00338-27	1	O-ring	
3-5	01473-06	1	Circlip	
3-6	00338-79	1	O-ring	
3-7	01242-06	1	Adjustment needle	
3-8	00884-07	2	Ball	
3-9	00833-01	2	Spring	
3-10	01243-08	1	End piece	
3-11	01247-01	1	Check valve housing	
3-12	01246-01	1	Wave washer	
3-13	01245-01	1	Shim	
3-14	01244-07	1	Valve	
3-15	-	-	Shim stack	See spec. card
3-16	00641-01	1	Clamp washer	
3-17	00430-07	1	Nut	
3-18	00862-02	1	Reservoir end	
3-19	00338-24	1	O-ring	
3-20	00338-26	1	O-ring	
3-21	00305-01	1	Reservoir piston	
3-22	00340-01	1	Teflon band	
3-23	00302-06	1	Reservoir	
	60191-13	1	Sticker "Öhlins"	
	00196-01	1	Sticker "Warning"	
	03102-15	1	Bracket reservoir	
	21617-01	1	Bracket	
	05404-01	2	Screw	
	05404-09	2	Screw	
	00426-06	2	Washer	
00382-16	1	Screw		
3-24	00161-83	1	Reservoir end assy	
3-25	00338-04	1	O-ring	
3-26	00604-01	1	Valve rubber	
3-27	00561-03	1	End cap	
3-28	00338-59	1	O-ring	
3-29	01050-01	1	Screw	
3-30	00329-01	1	Circlip	
3-31	00382-07	1	Screw	
3-32	00438-33	1	O-ring	
3-33	00631-02	1	Banjo bolt	
3-34	00586-01	2	Washer	
3-35	00637-24	1	Hose	

[www.ohlins.com](http://www.ohlins.com)

Advanced Suspension Technology



[Company](#) [Motorcycle](#) [ATV](#) [Automotive](#) [Snowmobile](#) [News](#) [Ohlins USA](#) [Contact](#)



Öhlins Asia Co.,Ltd  
700/937 Moo5, Nongkhaka,  
Phanthong Chonburi 20160  
Thailand  
Phone: +66(0)38 212 291-6  
Fax: +66 (0)38 212 297  
[www.ohlins.com](http://www.ohlins.com)