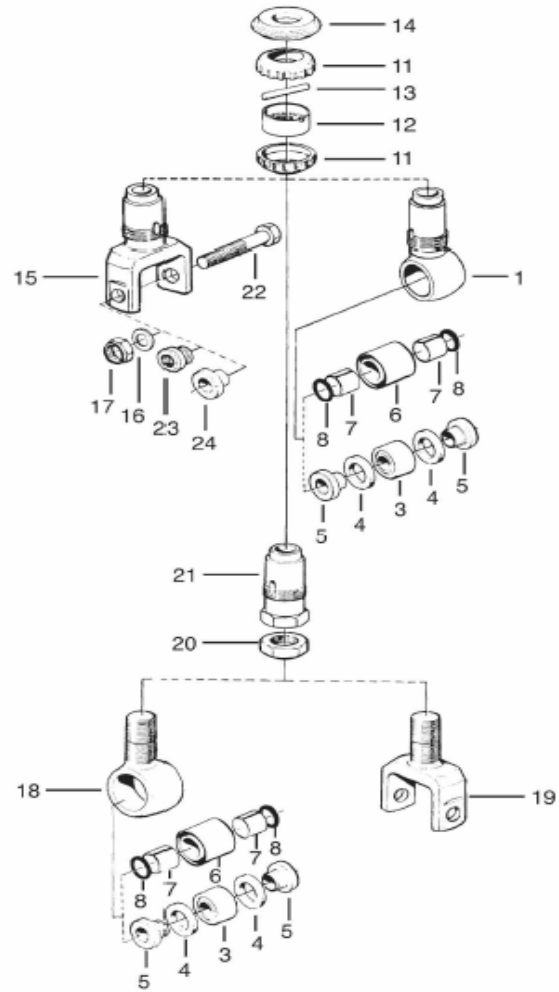
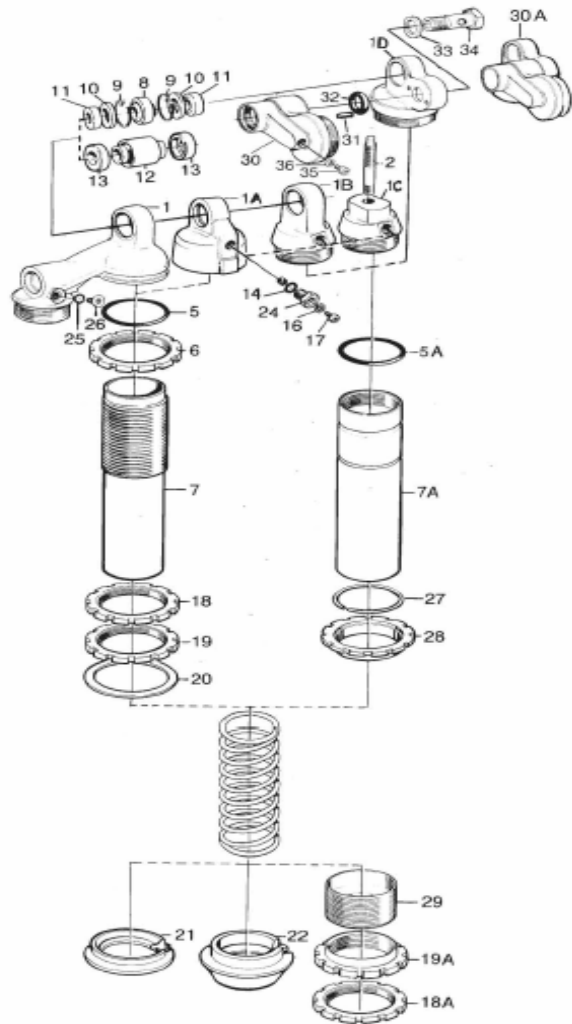


Fig.01



	S46HR1C1LS	KAWASAKI GPZ 900 Racing	KA 6347
Fig No.	Part No	Description	Qty
End eye			
01-11	01016-01	Seal rebound adjuster	2
01-12	01128-01	Adjustment knob	1
01-13	01030-01	Pin	1
01-14	61017-01	Stop washer	1
01-16	00578-02	Washer	1
01-17	00539-01	Nut	1
01-19	01060-08	End bracket	1
01-20	01059-01	Nut	1
01-21	01058-01	Shaft extension	1

Fig.02



	S46HR1C1LS	KAWASAKI GPZ 900 Racing	KA 6347
Fig No.	Part No	Description	Qty
Body tube			
02-01A	00570-01	Cylinder head	1
02-05	00338-37	O-ring	1
02-07	04210-06	Cylinder tube	1
02-08	00536-13	Ball joint	1
02-10	00534-01	Seal ball joint	2
02-11	01218-09	Spacer, ball joint see mounting instr.	2
02-11	01218-11	Spacer, ball joint see mounting instr.	2
02-20	00543-01	Washer	1
02-21	00516-01	Spring clip	1
	01091-21	Spring	1

Fig.03

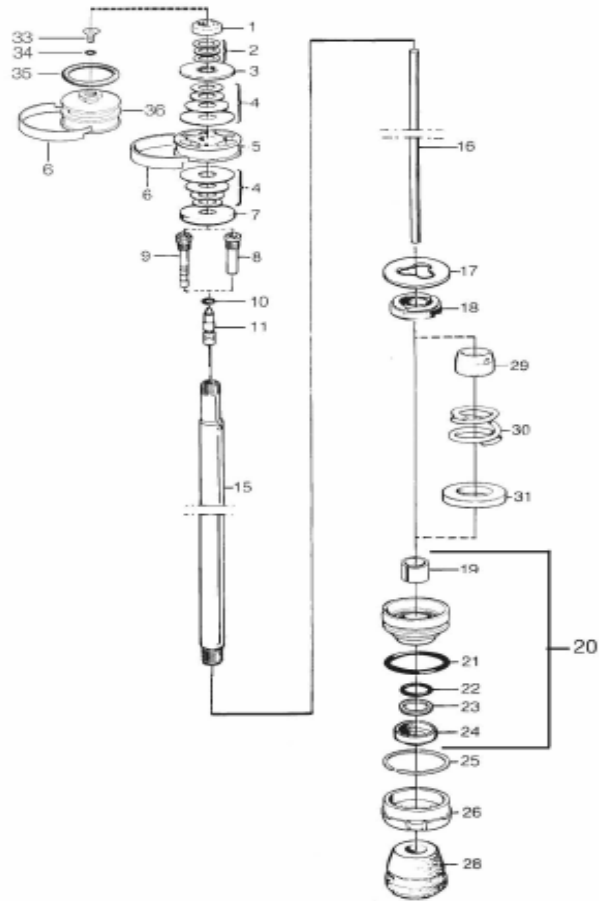
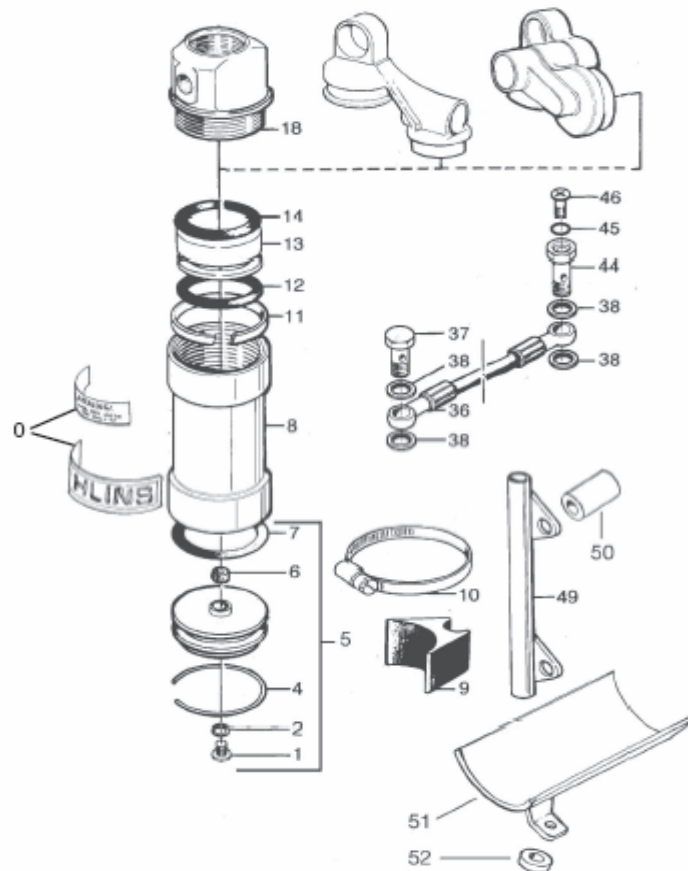


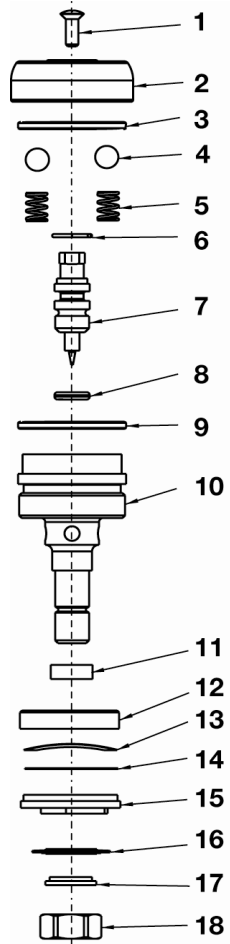
Fig No.	S46HR1C1LS Part No	KAWASAKI GPZ 900 Racing Description	KA 6347 Qty
Shaft			
03-01	00539-01	Lock nut	1
03-02	00578-01	Washer	6
03-05	01114-14	Piston	1
03-06	00541-01	Piston ring	1
03-07	00519-04	Stop washer	1
03-08	05621-03	Valve	1
03-10	00338-14	O-ring	1
03-11	05655-03	Adjustment needle	1
03-15	05500-06	Shaft	1
03-16	00566-84	Adj. shaft	1
03-17	01069-02	Spacer	1
03-18	00815-01	Stop rubber	1
03-19	01056-01	Bushing	1
03-20	01029-02	Seal head assy	1
03-21	00576-01	O-ring	1
03-22	01027-01	X-ring	1
03-23	01032-01	Back-up ring	1
03-24	01031-02	Scraper	1
03-25	00575-01	Circlip	1
03-26	01065-01	End cap	1
03-28	00563-03	Bump rubber	1

Fig.04



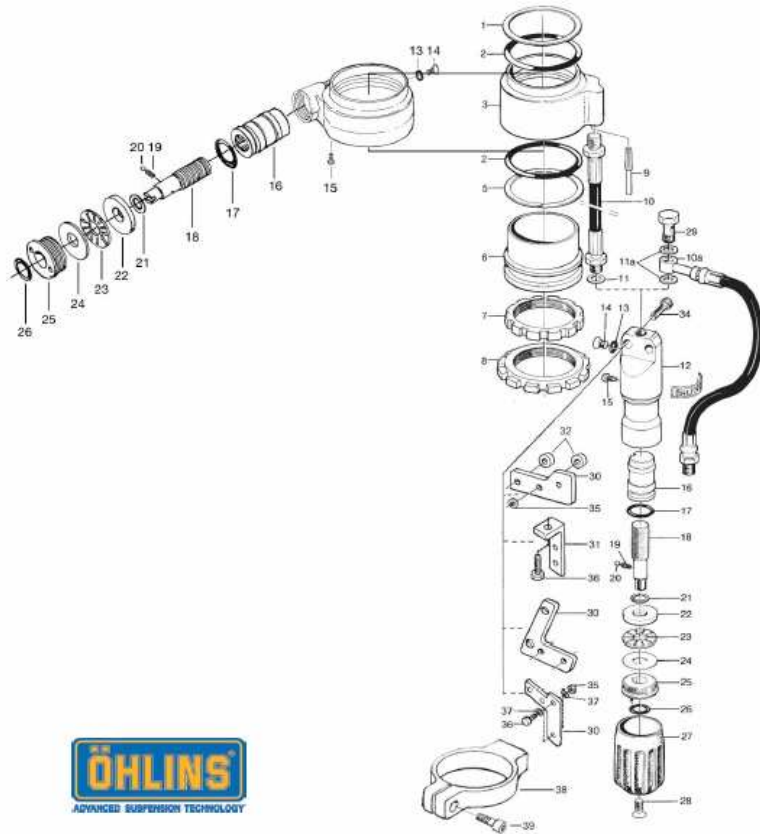
	S46HR1C1LS	KAWASAKI GPZ 900 Racing	KA 6347
Fig No.	Part No	Description	Qty
Reservoir			
04-00	00191-06	Sticker "ÖHLINS" blue/transp	1
04-00	00196-01	Sticker "Warning"black/transp 17x53	1
04-01	01050-01	Screw	1
04-02	00338-59	O-ring	1
04-04	00329-01	Circlip	1
04-05	00161-03	Reservoir top assy	1
04-07	00338-04	O-ring	1
04-08	00302-01	Reservoir	1
04-09	00230-03	Rubber mount flat	2
04-10	00643-02	Hose clamp	2
04-11	00340-01	Teflon band	1
04-12	00338-26	O-ring	1
04-13	00305-01	Reservoir piston	1
04-14	00338-24	O-ring	1
04-18	00862-02	Reservoir end	1
04-36	00637-10	Hose	1
04-37	00631-81	Banjo bolt	1
04-38	00586-01	Seal washer	4
04-44	00631-82	Banjo bolt	1
04-45	00438-33	O-ring	1
04-46	00382-07	Screw	1

Fig.05



01250-14	S46HR1C1LS	KAWASAKI GPZ 900 Racing	KA 6347
Fig No.	Part No	Description	Qty
Compr. Valve			
05-01	00828-01	Screw	1
05-02	00820-02	Knob	1
05-04	00884-07	Ball	2
05-05	00833-01	Spring	2
05-06	01473-06	Circlip	1
05-07	01242-06	Adjustment needle	1
05-08	00338-79	O-ring	1
05-09	00338-27	O-ring	1
05-10	01243-08	End piece	1
05-12	01247-01	Check valve housing	1
05-13	01246-01	Wave washer	1
05-14	01245-01	Check valve shim	1
05-15	01244-05	Valve	1
05-16		Shims see spec.card	1
05-17	00641-01	Washer	1
05-18	00430-07	Nut	1

Fig.06



03680-01	S46HR1C1LS	KAWASAKI GPZ 900 Racing	KA 6347
Fig No.	Part No	Description	Qty
Preload adj.			
06-00	00191-06	Sticker Öhlins	1
06-01	03611-01	Support ring	1
06-02	00338-90	O-ring	2
06-03	03607-01	Preload housing	1
06-05	03610-01	Support ring	1
06-06	03606-01	Inner sleeve	1
06-07	03609-01	Lock nut	1
06-08	03608-01	Guide nut	1
06-09	03613-01	Pin	1
06-10	01047-01	Hose	1
06-11	01048-01	Seal washer	1
06-12	03600-01	Adj.cylinder	1
06-13	00338-79	O-ring	1
06-14	00382-07	Screw	1
06-15	03601-02	Guide screw	1
	03614-01	Seal washer	1
06-16	03604-01	Piston	1
06-17	00338-89	O-ring	1
06-18	03602-01	Adj. screw	1
06-19	03083-01	Spring	1
06-20	00884-03	Ball	1
06-21	00131-03	Circlip	1
06-22	03072-02	Thrust washer	1
06-23	01023-02	Thrust needle bearing	1
06-24	03073-02	Thrust washer	1
06-25	03603-01	Cover	1
06-26	00338-88	O-ring	1
06-27	03605-01	Knob	1
06-28	00382-08	Screw	1
06-30	01084-01	Bracket	1
06-34	05404-07	Screw M6x30	2
06-35	00430-02	Nut M6	2
06-36	00429-06	Screw M8x25	1
06-37	00153-04	Washer 6mm	2