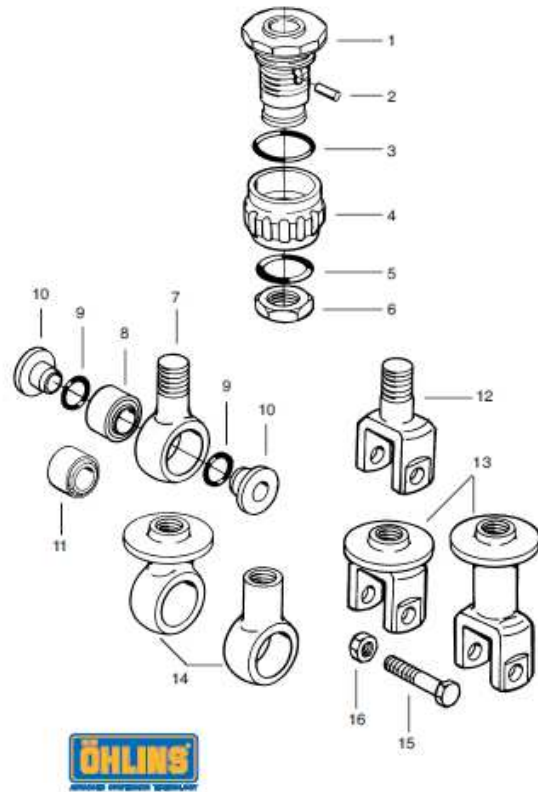
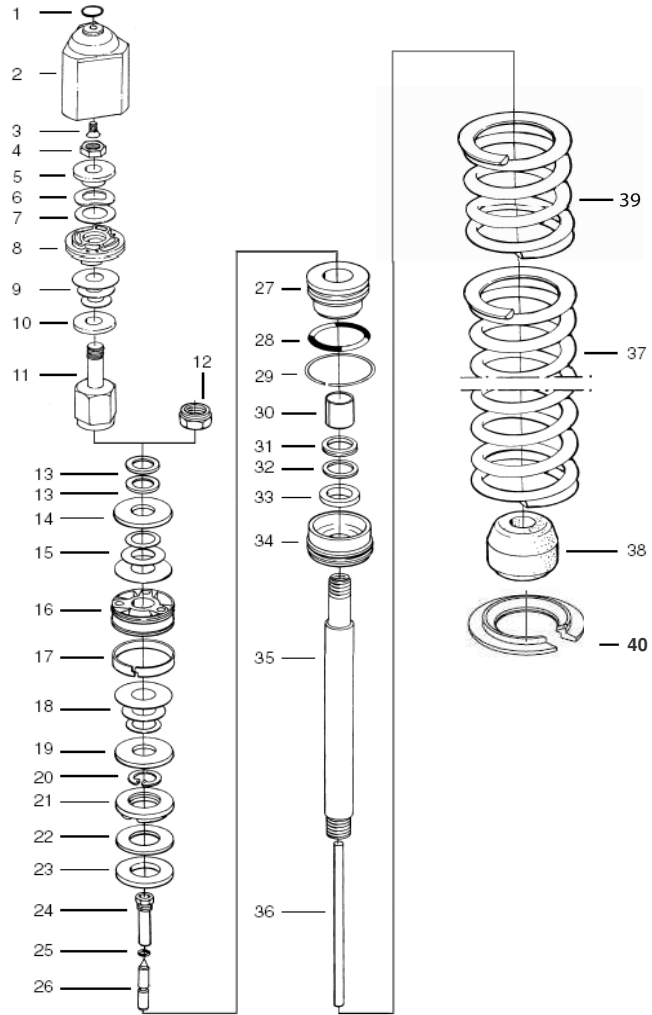


Fig 01



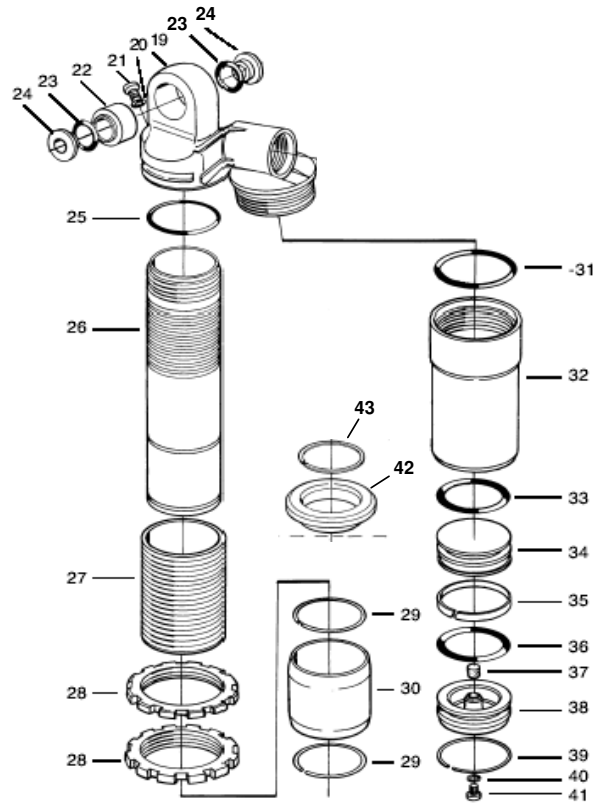
|                | S36PR1C1L | KAWASAKI ZEPHYR 1100         | KA 446 | KA 448 |
|----------------|-----------|------------------------------|--------|--------|
| Fig no.        | Part no.  | Description                  | Qty    | Qty    |
| <b>End eye</b> |           |                              |        |        |
| 01-01          | 03058-01  | Shaft extension              | 1      | 1      |
| 01-02          | 01030-07  | Pin                          | 1      | 1      |
| 01-03          | 00338-83  | O-ring upper adjustment knob | 1      | 1      |
| 01-04          | 03057-01  | Adjustment knob              | 1      | 1      |
| 01-05          | 00338-25  | O-ring lower adjustment knob | 1      | 1      |
| 01-06          | 03059-01  | Nut                          | 1      | 1      |
| 01-07          | 03061-12  | End eye                      | 1      | 1      |
| 01-08          | 00536-04  | Ball joint                   | 1      | 1      |
| 01-09          | 00534-02  | Seal ball joint              | 2      | 2      |
| 01-10          | 01218-15  | Spacer                       | 2      | 2      |

Fig 02



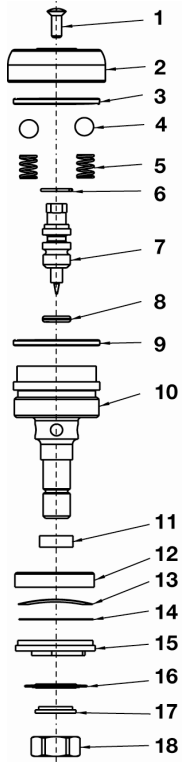
|              | S36PR1C1L | KAWASAKI ZEPHYR 1100     | KA 446 | KA 448 |
|--------------|-----------|--------------------------|--------|--------|
| Fig no.      | Part no.  | Description              | Qty    | Qty    |
| <b>Shaft</b> |           |                          |        |        |
| 02-12        | 00539-01  | Lock nut                 | 1      | 1      |
| 02-13        | 00578-01  | Washer                   | 3      | 3      |
| 02-14        | 00519-07  | Stop washer              | 1      | 1      |
| 02-15        |           | Shim stack,see spec card |        |        |
| 02-16        | 03077-01  | Piston                   | 1      | 1      |
| 02-17        | 03078-01  | Piston ring              | 1      | 1      |
| 02-18        |           | Shim stack,see spec card |        |        |
| 02-19        | 03068-01  | Stop washer              | 1      | 1      |
| 02-20        | 00436-01  | Circlip                  | 1      | 1      |
| 02-21        | 03067-02  | Stop rubber              | 1      | 1      |
| 02-22        | 03269-02  | Spacer                   | 1      | 1      |
| 02-24        | 01021-03  | Shaft jet                | 1      | 1      |
| 02-25        | 00338-14  | O-ring                   | 1      | 1      |
| 02-26        | 01055-03  | Adjustment needle        | 1      | 1      |
| 02-27        | 03164-03  | Seal head assy           | 1      | 1      |
| 02-28        | 00338-09  | O-ring                   | 1      | 1      |
| 02-29        | 00128-01  | Circlip                  | 1      | 1      |
| 02-30        | 01056-12  | Bushing                  | 1      | 1      |
| 02-31        | 00827-01  | X-ring                   | 1      | 1      |
| 02-32        | 01032-03  | Back-up ring             | 1      | 1      |
| 02-33        | 03070-01  | Scraper                  | 1      | 1      |
| 02-34        | 03065-01  | End cap                  | 1      | 1      |
| 02-35        | 03062-02  | Shaft                    | 1      | 1      |
| 02-36        | 00566-69  | Adj.shaft                | 1      | 1      |
| 02-37        | 00480-23  | Spring Black             | 1      |        |
| 02-37        | 00480-33  | Spring Yellow            |        | 1      |
| 02-38        | 03063-01  | Bump rubber              | 1      | 1      |
| 02-40        | 03252-01  | Spring clip              | 1      | 1      |

Fig 03



|                  | S36PR1C1L | KAWASAKI ZEPHYR 1100          | KA 446 | KA 448 |
|------------------|-----------|-------------------------------|--------|--------|
| Fig no.          | Part no.  | Description                   | Qty    | Qty    |
| <b>Body tube</b> |           |                               |        |        |
| 03-19            | 03250-01  | Cylinder head left side       | 1      | 1      |
| 03-19            | 03250-02  | Cylinder head right side      | 1      | 1      |
| 03-20            | 00438-33  | O-ring                        | 1      | 1      |
| 03-21            | 00382-07  | Screw                         | 1      | 1      |
| 03-22            | 00536-04  | Ball joint                    | 1      | 1      |
| 03-23            | 00534-02  | O-ring                        | 2      | 2      |
| 03-24            | 01218-54  | Spacer                        | 2      | 2      |
| 03-25            | 00338-02  | O-ring                        | 1      | 1      |
| 03-26            | 04300-17  | Cylinder tube                 | 1      | 1      |
| 03-28            | 03251-01  | Spring platform               | 1      | 1      |
|                  | 05410-02  | Stop crew spring platform     | 1      | 1      |
| 03-30            | 00417-02  | Support sleeve                | 1      | 1      |
| 03-31            | 00438-26  | O-ring                        | 1      | 1      |
| 03-00            | 00191-01  | Sticker "ÖHLINS" blue/transp  | 1      | 1      |
| 03-00            | 00196-01  | Sticker "Warning"black/transp | 1      | 1      |
| 03-32            | 00403-02  | Reservoir                     | 1      | 1      |
| 03-33            | 00438-27  | O-ring                        | 1      | 1      |
| 03-34            | 00405-01  | Reservoir piston              | 1      | 1      |
| 03-35            | 00340-03  | Teflon band                   | 1      | 1      |
| 03-36            | 00438-27  | O-ring                        | 1      | 1      |
| 03-38            | 00161-04  | Reservoir top assy            | 1      | 1      |
| 03-39            | 00329-04  | Circlip                       | 1      | 1      |
| 03-40            | 00338-59  | O-ring                        | 1      | 1      |
| 03-41            | 01050-01  | Screw                         | 1      | 1      |

Fig.04



|                   | S36PR1C1L | KAWASAKI ZEPHYR 1100 | KA 446 | KA 448 |
|-------------------|-----------|----------------------|--------|--------|
| Fig no.           | Part no.  | Description          | Qty    | Qty    |
| <b>Comp valve</b> |           |                      |        |        |
| 04-01             | 00828-01  | Screw                | 1      | 1      |
| 04-02             | 03253-01  | Knob                 | 1      | 1      |
| 04-04             | 00884-07  | Ball                 | 2      | 2      |
| 04-05             | 00833-01  | Spring               | 2      | 2      |
| 04-06             | 01473-06  | Circlip              | 1      | 1      |
| 04-07             | 01242-07  | Adjustment needle    | 1      | 1      |
| 04-08             | 00338-79  | O-ring               | 1      | 1      |
| 04-09             | 00338-27  | O-ring               | 1      | 1      |
| 04-10             | 01243-10  | End piece            | 1      | 1      |
| 04-12             | 01247-01  | Check valve housing  | 1      | 1      |
| 04-13             | 01246-01  | Wave washer          | 1      | 1      |
| 04-14             | 01245-01  | Check valve shim     | 1      | 1      |
| 04-15             | 01244-05  | Valve                | 1      | 1      |
| 04-16             |           | Shims see spec.card  | 1      | 1      |
| 04-17             | 00641-01  | Washer               | 1      | 1      |
| 04-18             | 00430-07  | Nut                  | 1      | 1      |