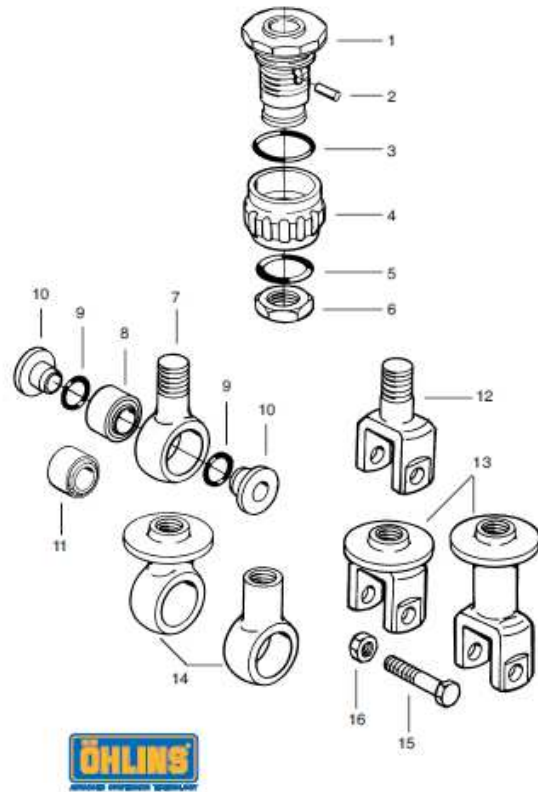
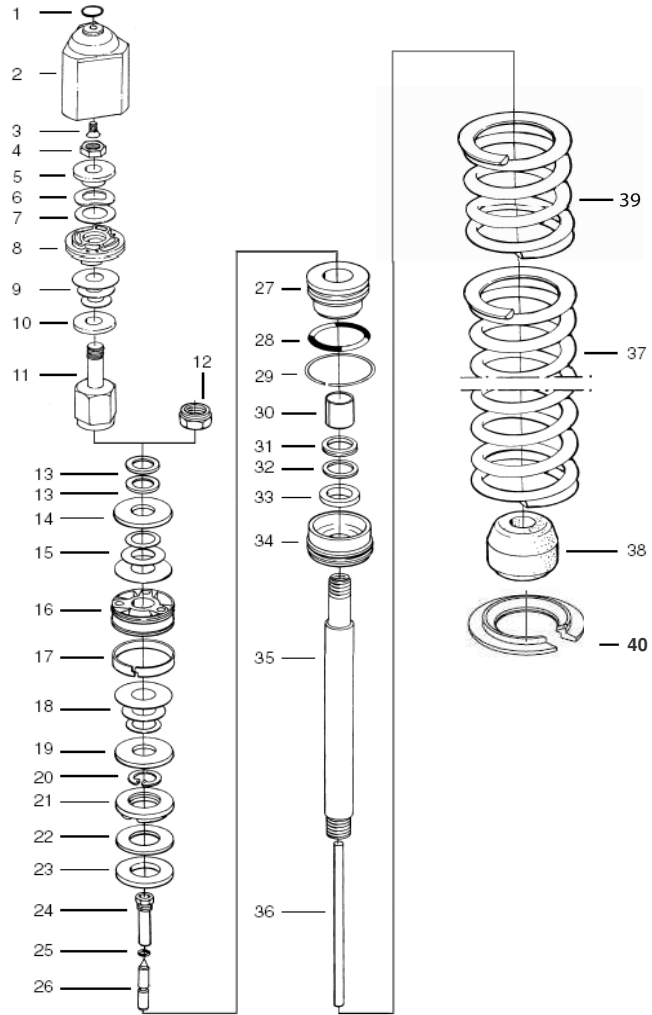


Fig 01



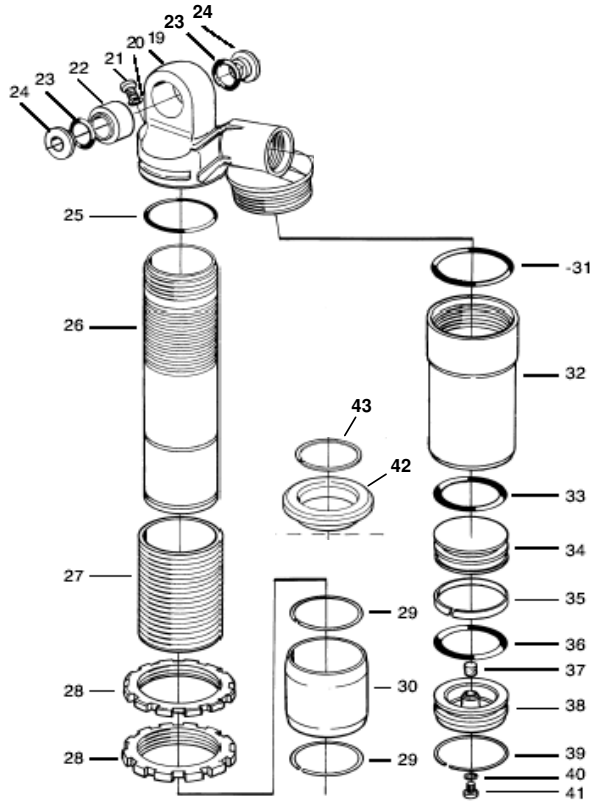
	S36PR1C1L	KAWASAKI ZEPHYR 1100	KA 446	KA 448
Fig no.	Part no.	Description	Qty	Qty
End eye				
01-01	03058-01	Shaft extension	1	1
01-02	01030-07	Pin	1	1
01-03	00338-83	O-ring upper adjustment knob	1	1
01-04	03057-01	Adjustment knob	1	1
01-05	00338-25	O-ring lower adjustment knob	1	1
01-06	03059-01	Nut	1	1
01-07	03061-12	End eye	1	1
01-08	00536-04	Ball joint	1	1
01-09	00534-02	Seal ball joint	2	2
01-10	01218-15	Spacer	2	2

Fig 02



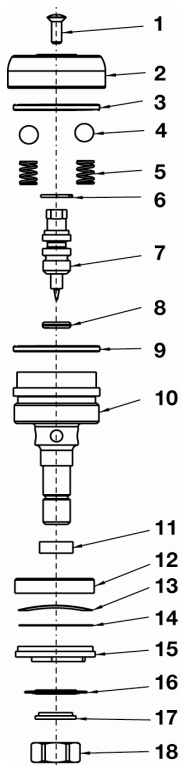
	S36PR1C1L	KAWASAKI ZEPHYR 1100	KA 446	KA 448
Fig no.	Part no.	Description	Qty	Qty
Shaft				
02-12	00539-01	Lock nut	1	1
02-13	00578-01	Washer	3	3
02-14	00519-07	Stop washer	1	1
02-15		Shim stack,see spec card		
02-16	03077-01	Piston	1	1
02-17	03078-01	Piston ring	1	1
02-18		Shim stack,see spec card		
02-19	03068-01	Stop washer	1	1
02-20	00436-01	Circlip	1	1
02-21	03067-02	Stop rubber	1	1
02-22	03269-02	Spacer	1	1
02-24	01021-03	Shaft jet	1	1
02-25	00338-14	O-ring	1	1
02-26	01055-03	Adjustment needle	1	1
02-27	03164-03	Seal head assy	1	1
02-28	00338-09	O-ring	1	1
02-29	00128-01	Circlip	1	1
02-30	01056-12	Bushing	1	1
02-31	00827-01	X-ring	1	1
02-32	01032-03	Back-up ring	1	1
02-33	03070-01	Scraper	1	1
02-34	03065-01	End cap	1	1
02-35	03062-02	Shaft	1	1
02-36	00566-69	Adj.shaft	1	1
02-37	00480-23	Spring Black	1	
02-37	00480-33	Spring Yellow		1
02-38	03063-01	Bump rubber	1	1
02-40	03252-01	Spring clip	1	1

Fig 03



	S36PR1C1L	KAWASAKI ZEPHYR 1100	KA 446	KA 448
Fig no.	Part no.	Description	Qty	Qty
Body tube				
03-19	03250-01	Cylinder head left side	1	1
03-19	03250-02	Cylinder head right side	1	1
03-20	00438-33	O-ring	1	1
03-21	00382-07	Screw	1	1
03-22	00536-04	Ball joint	1	1
03-23	00534-02	O-ring	2	2
03-24	01218-54	Spacer	2	2
03-25	00338-02	O-ring	1	1
03-26	04300-17	Cylinder tube	1	1
03-28	03251-01	Spring platform	1	1
	05410-02	Stop crew spring platform	1	1
03-30	00417-02	Support sleeve	1	1
03-31	00438-26	O-ring	1	1
03-00	00191-01	Sticker "ÖHLINS" blue/transp	1	1
03-00	00196-01	Sticker "Warning"black/transp	1	1
03-32	00403-02	Reservoir	1	1
03-33	00438-27	O-ring	1	1
03-34	00405-01	Reservoir piston	1	1
03-35	00340-03	Teflon band	1	1
03-36	00438-27	O-ring	1	1
03-38	00161-04	Reservoir top assy	1	1
03-39	00329-04	Circlip	1	1
03-40	00338-59	O-ring	1	1
03-41	01050-01	Screw	1	1

Fig.04



	S36PR1C1L	KAWASAKI ZEPHYR 1100	KA 446	KA 448
Fig no.	Part no.	Description	Qty	Qty
Comp valve				
04-01	00828-01	Screw	1	1
04-02	03253-01	Knob	1	1
04-04	00884-07	Ball	2	2
04-05	00833-01	Spring	2	2
04-06	01473-06	Circlip	1	1
04-07	01242-07	Adjustment needle	1	1
04-08	00338-79	O-ring	1	1
04-09	00338-27	O-ring	1	1
04-10	01243-10	End piece	1	1
04-12	01247-01	Check valve housing	1	1
04-13	01246-01	Wave washer	1	1
04-14	01245-01	Check valve shim	1	1
04-15	01244-05	Valve	1	1
04-16		Shims see spec.card	1	1
04-17	00641-01	Washer	1	1
04-18	00430-07	Nut	1	1