

Shock absorber Honda CB500X

HO 9160

Spare Parts List



SAFETY PRECAUTIONS

⚠ Warning!

The shock absorber/front fork/steering damper is an important part of the vehicle and will affect the stability.

⚠ Warning!

After installing the Öhlins product, take a test ride at low speed to make sure your vehicle has maintained stability.

⚠ Warning!

Some of Öhlins products contain pressurized nitrogen gas (N₂). Do not open, service or modify pressurized products without proper education (approved Öhlins dealer/distributor) and proper tools.

👁 Note!

Read and ensure you understand the information in this manual and other technical documents provided by Öhlins, before you use the product.

👁 Note!

Öhlins Asia Co.,Ltd can not be held responsible for any damage to the shock absorber/front fork/steering damper, vehicle, other property or injury to persons, if the instructions for mounting, usage and maintenance are not obeyed.

⚠ Warning!

If the suspension makes an abnormal noise, or the function is irregular, or if you notice any leakage from the product, stop the vehicle immediately and return the product to an Öhlins Service Centre.

⚠ Warning!

The product warranty shall only apply if the product has been operated and maintained in accordance with recommendations in this manual. If you have any questions regarding usage, service, inspection and/or maintenance contact Öhlins.

👁 Note!

When working with the Öhlins product, read the Vehicle Service Manual.

⚠ Warning!

This product was developed and designed exclusively for a specific vehicle model and shall only be installed on the intended vehicle model in its original condition as delivered from the vehicle manufacturer.

Contents

Figure 1 - Body assy	3
Figure 2 - Reservoir assy	4
Figure 3 - Damping assy+Seal head assy	5
Figure 4 - Compression assy	6
Figure 5 - Shaft assy	7

SAFETY SYMBOLS

In this manual, mounting instructions and other technical documents, important information concerning safety is distinguished by the following symbols:



The Safety Alert Symbol means: Warning! Your safety is involved.

⚠ Warning!

The Warning Symbol means: Failure to follow warning instructions can result in severe or fatal injury to anyone working with, inspecting or using the shock absorber, or to bystanders.

👁 Caution!

The Caution Symbol means: Special precautions must be taken to avoid damage to the shock absorber.

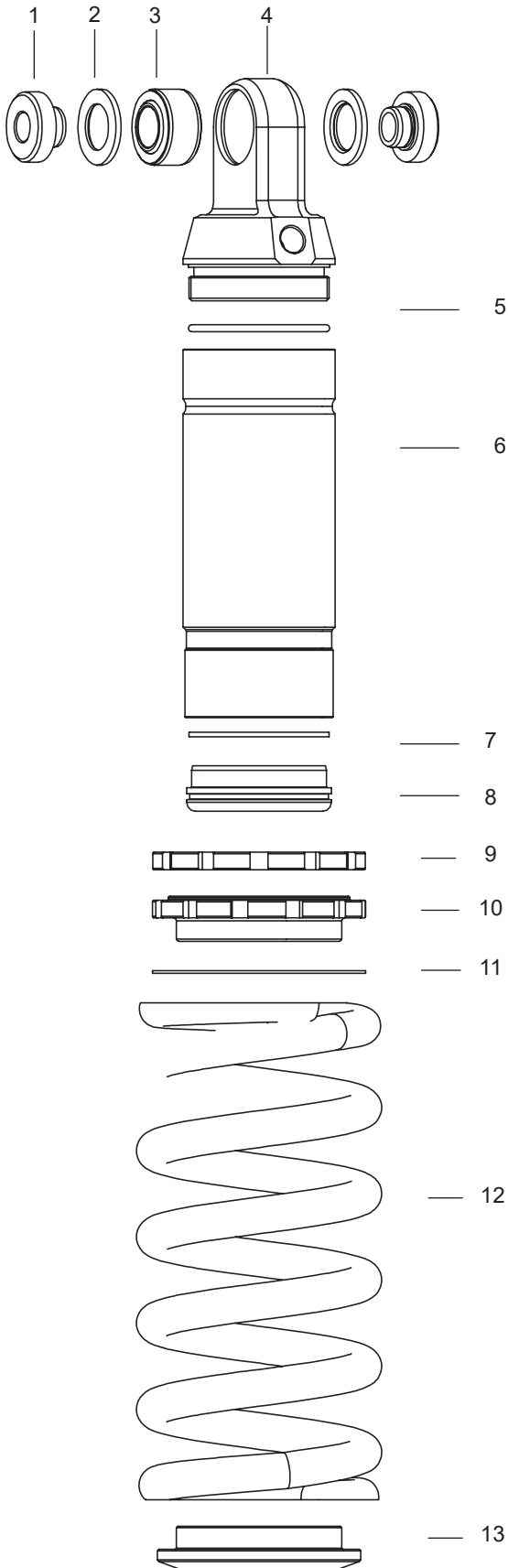
👁 Note!

The Note Symbol indicates information that is important regarding procedures.

© Öhlins Asia Co.,Ltd. All rights reserved.
Any reprinting or unauthorized use without the written permission of Öhlins Asia Co.,Ltd is prohibited.

SPL HO 9160

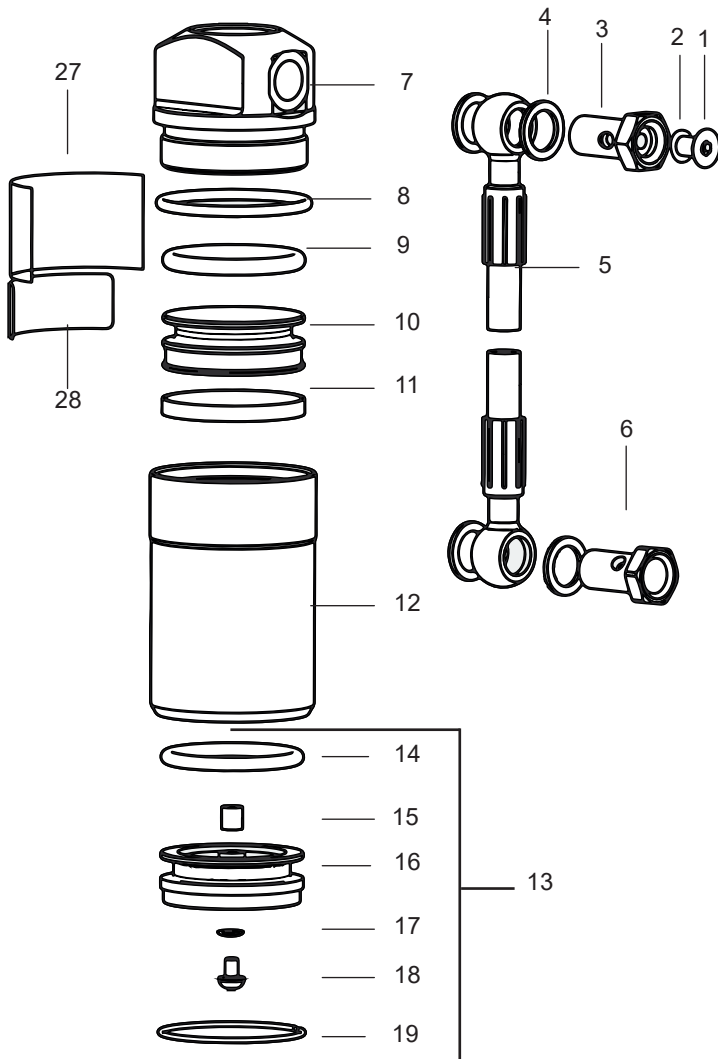
Figure 1 - Body assy



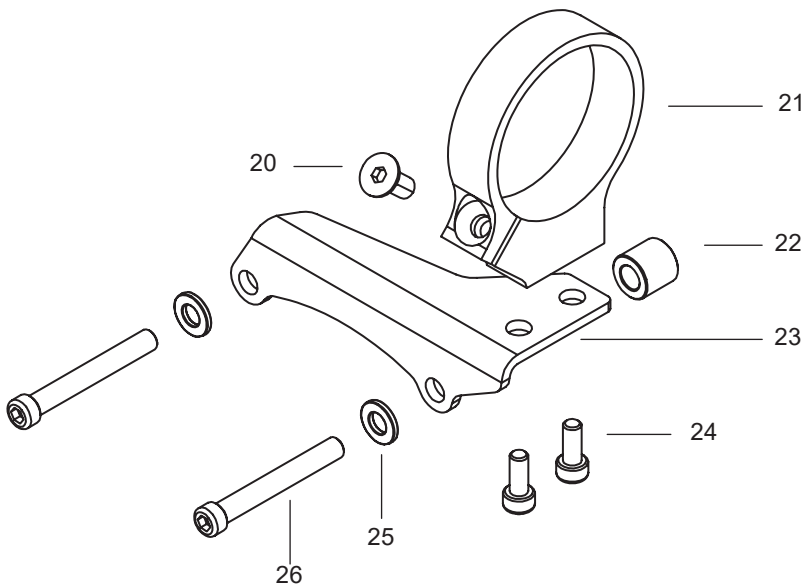
Pos	Part No	Pcs	Description	Notes
1-1	01218-12	2	Spacer, ball joint 10x30	
1-2	00534-01	2	Seal ball joint 16/26/2.7	
1-3	00536-13	1	Ball joint dia 14/26/15	
1-4	01282-15	1	Cylinder head 46/26	
1-5	00338-32	1	O-ring 44.12x2.62	
1-6	04211-03	1	Cylinder tube 46/126 Al	
1-7	00575-01	1	Circlip 47.8x2.3x1.5	
1-8	61065-31	1	End cap , clearh	
1-9	60532-01	1	Lock nut	
1-10	60531-01	1	Spring platform	
1-11	00543-01	1	Washer 57/73/1	
1-12	60024-49	1	Spring 57/170/130 N/mm	
1-13	00676-01	1	Spring clip for spring 57	

SPL HO 9160

Figure 2 - Reservoir assy

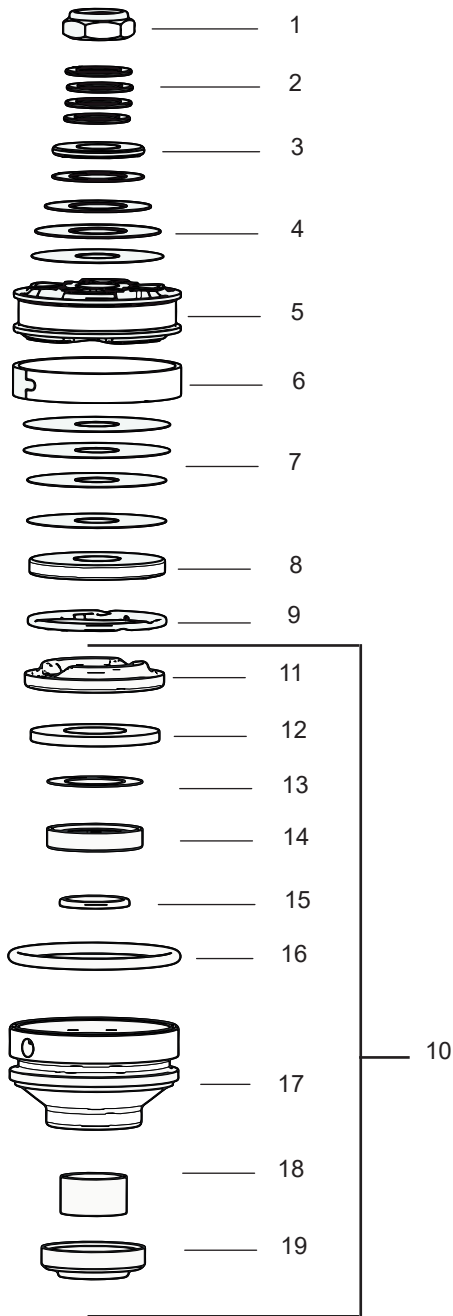


Pos	Part No	Pcs	Description	Notes
2-1	00382-07	1	Screw M5x8	
2-2	00438-33	1	O-ring 5.6x1.6	
2-3	00631-02	1	Banjo bolt	
2-4	00586-01	4	Seal washer	
2-5	00637-32	1	Hose 10/10/425-90	
2-6	00631-01	1	Banjo bolt M10x1/20	
2-7	00862-02	1	Reservoir end 44/M10	
2-8	00338-24	1	O-ring 40.87x3.53	
2-9	00338-26	1	O-ring 33x5 N	
2-10	00305-01	1	Reservoir piston 44	
2-11	00340-01	1	Teflon band dia 44	
2-12	00302-02	1	Reservoir 44/ 90	
2-13	00161-03	-	Reservoir top assy	
2-14	00338-26	1	O-ring 33x5 N	
2-15	00604-01	1	Rubber valve	
2-16	00561-03	1	Reservoir end cap 44	
2-17	00338-59	1	O-ring 4.5x1.5	
2-18	01050-01	1	Screw M4x5	
2-19	00329-01	1	Circlip 48x1.5	
2-20	00382-16	1	Screw M6x14	
2-21	03102-15	1	Bracket reservoir 44	
2-22	61123-18	1	Sleeve 7/12.9-12	
2-23	60006-25	1	Bracket, Reservoir	
2-24	01046-36	2	Screw MC6S 6x12	
2-25	00426-07	2	Washer 6.4/12.5/1.6	
2-26	01046-62	2	Screw MC6S 6x45	
2-27	01185-04	1	Sticker "ÖHLINS"	
2-28	00196-01	1	Sticker "Warning"	



SPL HO 9160

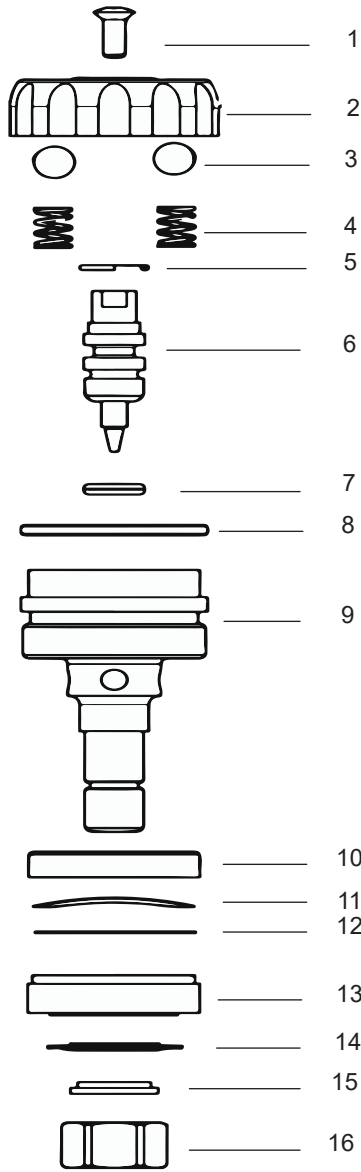
Figure 3 - Damping assy+Seal head assy



Pos	Part No	Pcs	Description	Notes
3-1	00539-01	1	Lock nut	
3-2	00578-01	4	Washer 12/18/1	
3-3	00519-05	1	Stop washer 12/20/2	
3-4	-		Reb. Shim	See spec.
3-5	00541-01	1	Piston ring 46	
3-6	61114-14	1	Piston 12/46	
3-7	-		Comp.Shim	See spec.
3-8	00519-04	1	Stop washer 12/37/4	
3-9	01069-03	2	Spacer 16/37.8/3 Red	
3-10	05129-09		Seal head assy	
3-11	03067-03	1	Stop rubber 18/38/7	
3-12	04752-03	1	Washer17/35.1/2.6	
3-13	04729-04	1	Shim16.5/25.9/0.2	
3-14	04717-03	1	Seal 16/26/5	
3-15	01032-23	1	Back-up ring 16	
3-16	00338-46	1	O-ring 40.2x3	
3-17	65122-06	1	Seal head 16/46/27.3	
3-18	01056-14	1	Bushing 16/18/10	
3-19	01031-02	1	Scraper 16/26x8/5.5	

SPL HO 9160

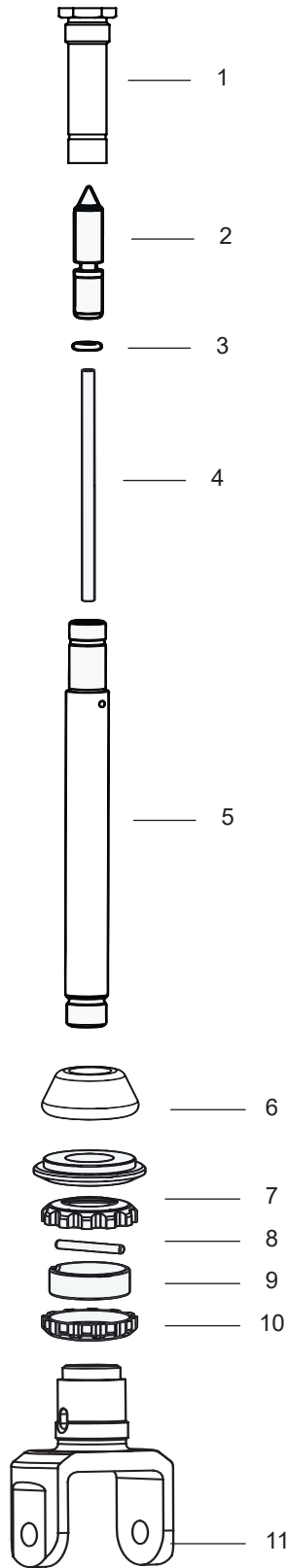
Figure 4 - Compression valve assy



Pos	Part No	Pcs	Description	Notes
4-1	00828-01	1	Screw	
4-2	00820-02	1	Knob comp.adj.	
4-3	00884-07	2	Ball	
4-4	00833-01	2	Spring	
4-5	01473-06	1	Circlip	
4-6	01242-06	1	Adj. needle	
4-7	00338-79	1	O-ring	
4-8	00338-27	1	O-ring	
4-9	01243-08	1	End piece	
4-10	01247-01	1	Check valve housing	
4-11	01246-01	1	Wave washer	
4-12	01245-01	1	Check valve	
4-13	01244-07	1	Valve comp.	
4-14	-	-	Shim stack	See spec.
4-15	00641-01	1	Washer	
4-16	00430-07	1	Nut	

SPL HO 9160

Figure 5 - Shaft assy



Pos	Part No	Pcs	Description	Notes
4-1	05621-04	1	Shaft jet	
4-2	05655-04	1	Adj. needle dia 3.2	
4-3	00338-14	1	O-ring 3.1x1.6	
4-4	00566-84	1	Adj.shaft	
4-5	05500-06	1	Shaft 16/153	
4-6	00563-03	1	Bump rubber	
4-7	61017-01	1	Stop washer 20/46/10	
4-8	01016-01	2	Seal reb. Adj.	
4-9	01030-01	1	Pin	
4-10	01128-01	1	Adj.knob	
4-11	01052-44	1	Bracket	

Your Öhlins retailer:

Öhlins Asia Co.,Ltd
700/937 Moo5, Nongkhaka,
Phanthong Chonburi 20160
Thailand

Phone: +66 (0)38 212 291-6
Fax: +66 (0)38 212 297
www.ohlins.com



www.ohlins.com