

*Shock absorber HONDA CB/CBR650R*

***HO 913 0***

*Spare Parts List*



## SAFETY PRECAUTIONS

### **Warning!**

The shock absorber/front fork/steering damper is an important part of the vehicle and will affect the stability.

### **Warning!**

After installing the Öhlins product, take a test ride at low speed to make sure your vehicle has maintained stability.

### **Warning!**

Some of Öhlins products contain pressurized nitrogen gas (N<sub>2</sub>). Do not open, service or modify pressurized products without proper education (approved Öhlins dealer/distributor) and proper tools.

### **Note!**

Read and ensure you understand the information in this manual and other technical documents provided by Öhlins, before you use the product.

### **Note!**

Öhlins Asia Co.,Ltd can not be held responsible for any damage to the shock absorber/front fork/steering damper, vehicle, other property or injury to persons, if the instructions for mounting, usage and maintenance are not obeyed.

### **Warning!**

If the suspension makes an abnormal noise, or the function is irregular, or if you notice any leakage from the product, stop the vehicle immediately and return the product to an Öhlins Service Centre.

### **Warning!**

The product warranty shall only apply if the product has been operated and maintained in accordance with recommendations in this manual. If you have any questions regarding usage, service, inspection and/or maintenance contact Öhlins.

### **Note!**

When working with the Öhlins product, read the Vehicle Service Manual.

### **Warning!**

This product was developed and designed exclusively for a specific vehicle model and shall only be installed on the intended vehicle model in its original condition as delivered from the vehicle manufacturer.

## Contents

Figure 1 - Body assy .....	3
Figure 2 - Compression valve assy .....	4
Figure 3 - Damping assy+Seal head assy.....	5
Figure 4 - Shaft assy.....	6
Figure 5 - Reservoir assy.....	7

## SAFETY SYMBOLS

In this manual, mounting instructions and other technical documents, important information concerning safety is distinguished by the following symbols:



The Safety Alert Symbol means: Warning! Your safety is involved.

### **Warning!**

The Warning Symbol means: Failure to follow warning instructions can result in severe or fatal injury to anyone working with, inspecting or using the shock absorber, or to bystanders.

### **Caution!**

The Caution Symbol means: Special precautions must be taken to avoid damage to the shock absorber.

### **Note!**

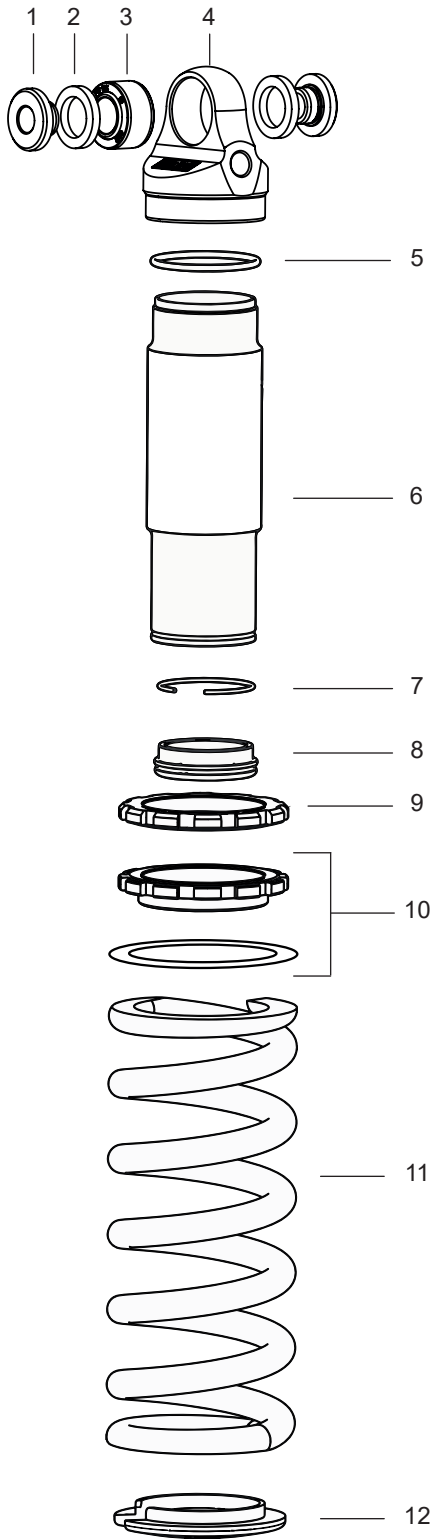
The Note Symbol indicates information that is important regarding procedures.

© Öhlins Asia Co.,Ltd. All rights reserved.

Any reprinting or unauthorized use without the written permission of Öhlins Asia Co.,Ltd is prohibited.

# SPL HO 913 0

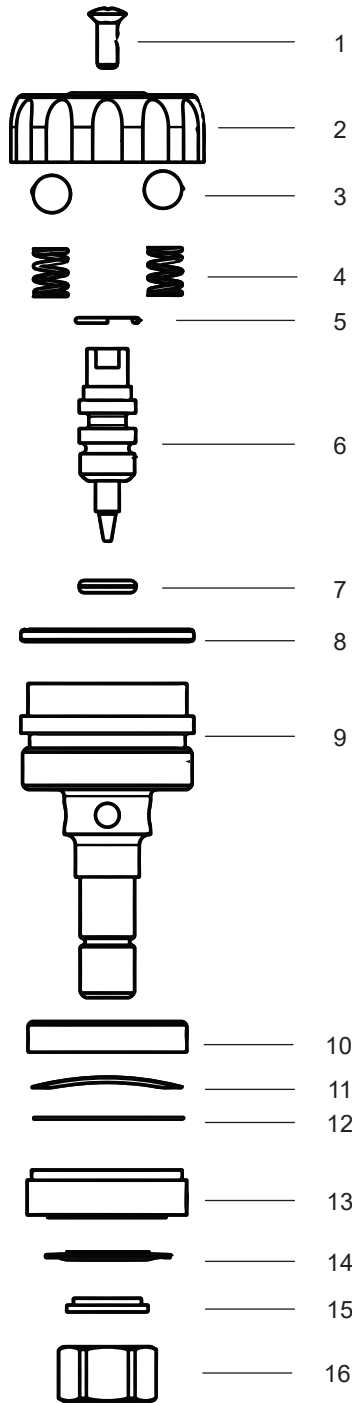
Figure 1 - Body assy



Pos	Part No	Pcs	Description	Notes
1-1	01218-16	1	Spacer, ball joint	
	01218-47	1	Spacer, ball joint	
1-2	00534-01	2	Seal ball joint	
1-3	00536-13	1	Ball joint	
1-4	61282-04	1	Cylinder head	
1-5	00338-32	1	O-ring 44.12x2.62	
1-6	04211-13	1	Cylinder tube	
1-7	00575-01	1	Circlip	
1-8	61065-31	1	End cap	
1-9	60532-01	1	Lock nut	
1-10	60531-01	1	Spring platform	
	00543-01	1	Washer	
1-11	01092-84	1	Spring 200N/mm	
1-12	00676-01	1	Spring clip	

# SPL HO 913 0

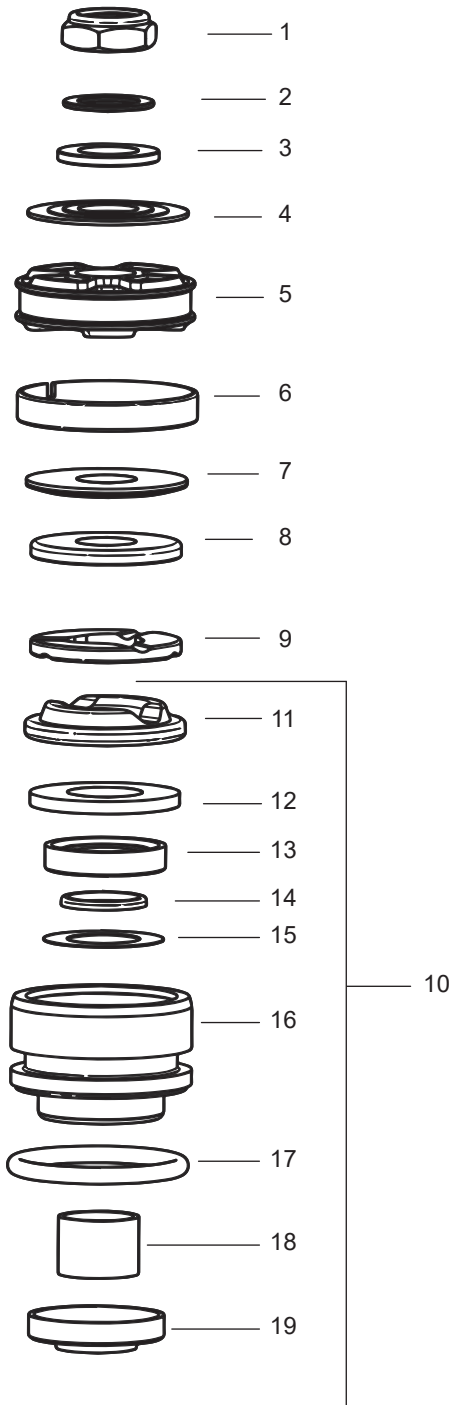
Figure 2 - Compression valve assy



Pos	Part No	Pcs	Description	Notes
2-1	00828-01	1	Screw	
2-2	00820-02	1	Knob comp. adj.	
2-3	00884-07	2	Ball	
2-4	00833-01	2	Spring	
2-5	01473-06	1	Circlip	
2-6	01242-07	1	Adj. needle	
2-7	00338-79	1	O-ring 5.28x1.78	
2-8	00338-27	1	O-ring 21.95x1.78	
2-9	01243-10	1	End piece	
2-10	01247-01	1	Check valve	
2-11	01246-01	1	Wave washer	
2-12	01245-01	1	Check valve Shim	
2-13	01244-07	1	Valve comp.	
2-14	-	-	Shim stack	See spec.
2-15	00641-01	1	Washer	
2-16	00430-07	1	Nut	

# SPL HO 913 0

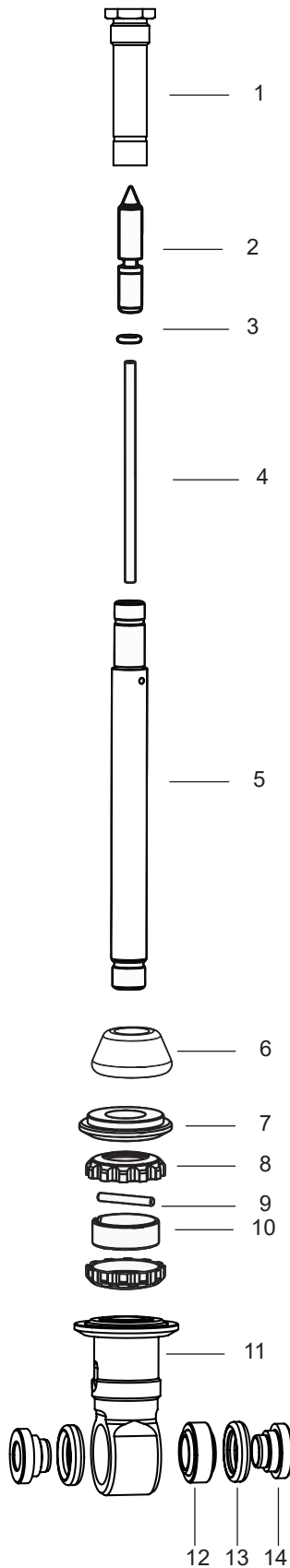
Figure 3 - Damping assy+Seal head assy



Pos	Part No	Pcs	Description	Notes
3-1	00539-01	1	Lock nut	
3-2	00578-01	3	Washer	
3-3	00519-05	1	Stop washer	
3-4	-	-	Shim stack	See spec
3-5	61114-14	1	Piston	
3-6	00541-01	1	Piston ring	
3-7	-	-	Shim stack	See spec
3-8	00519-04	1	Valve stop	
3-9	01069-02	2	Spacer	
	01069-03	1	Spacer	
3-10	65129-09	-	Seal head assy	
3-11	03067-03	1	Stop rubber	
3-12	04752-03	1	Washer	
3-13	04717-03	1	Seal	
3-14	01032-23	1	Back-up ring	
3-15	04729-04	1	Shim	
3-16	65122-06	1	Seal head	
3-17	00338-46	1	O-ring 29.30x3.6	
3-18	01056-14	1	Bushing	
3-19	01031-02	1	Scraper	

# SPL HO 913 0

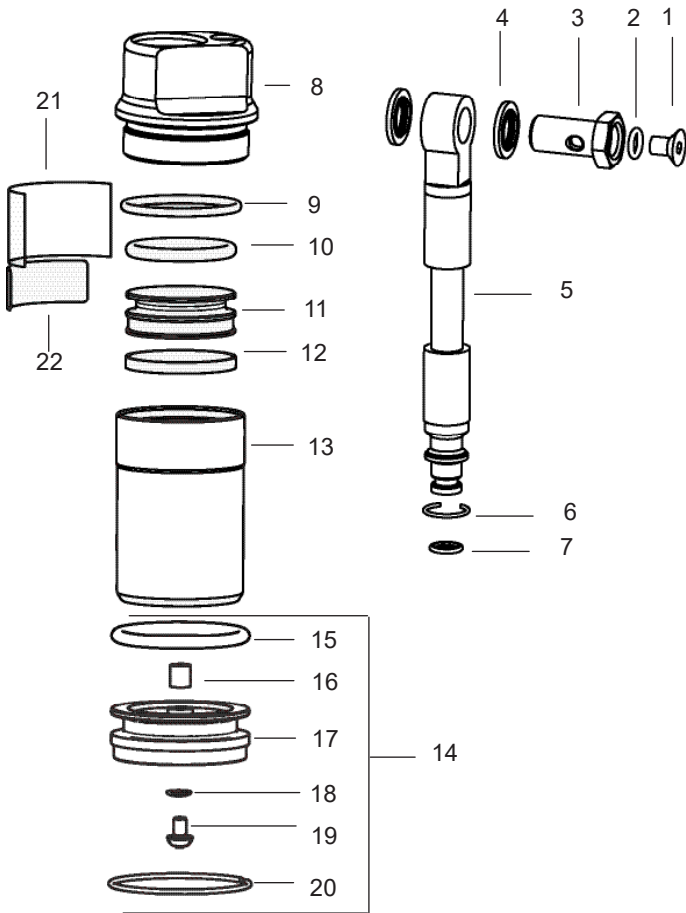
Figure 4 - Shaft assy



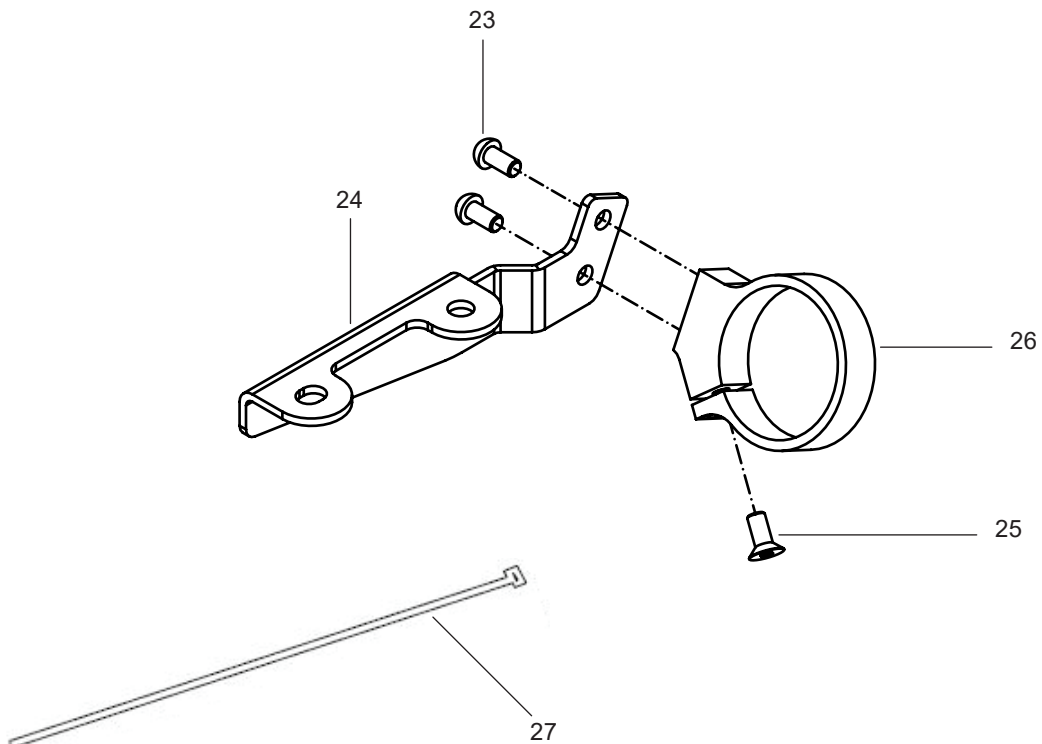
Pos	Part No	Pcs	Description	Notes
4-1	05621-04	1	Shaft jet	
4-2	05655-04	1	Adj. needle	
4-3	00338-14	1	O-ring 3.1x1.6	
4-4	00566-66	1	Adj. shaft	
4-5	05500-05	1	Shaft 14/132	
4-6	00563-05	1	Bump rubber	
4-7	61017-01	1	Stop washer	
4-8	01016-01	2	Seal rebound adj.	
4-9	01030-01	1	Pin	
4-10	01128-01	1	Adjustment knob	
4-11	01054-45	1	End eye	
4-12	00536-13	1	Ball joint	
4-13	00534-01	2	Seal ball joint	
4-14	01218-24	2	Spacer, ball joint	

# SPL HO 913 0

Figure 5 - Reservoir assy



Pos	Part No	Pcs	Description	Notes
5-1	00382-07	1	Screw	
5-2	00438-33	1	O-ring 5.6x1.6	
5-3	00631-02	1	Banjo bolt	
5-4	00586-01	2	Seal washer	
5-5	05107-08	1	Hose	
5-6	01473-04	1	Circlip	
5-7	00338-39	1	O-ring 6.1x1.6	
5-8	00862-06	1	Reservoir end	
5-9	00338-24	1	O-ring 40.87x3.53	
5-10	00338-04	1	O-ring 33x5	
5-11	00305-01	1	Reservoir piston	
5-12	00340-01	1	Teflon band	
5-13	00302-02	1	Reservoir tube	
5-14	00161-03	-	Reservoir top assy	
5-15	00338-04	1	O-ring 33x5	
5-16	00604-01	1	Rubber valve	
5-17	00561-03	1	Reservoir end cap	
5-18	00338-59	1	O-ring 4.5x1.5	
5-19	01050-01	1	Screw	
5-20	00329-01	1	Circlip	
5-21	01185-04	1	Sticker "ÖHLINS"	
5-22	00196-01	1	Sticker "Warning"	
5-23	05404-01	2	Screw M6x12	
5-24	60006-24	1	Bracket, Reservoir	
5-25	00382-16	1	Screw M6x14	
5-26	03102-15	1	Bracket reservoir 44	
5-27	00231-01	1	Cable tie	



Your Öhlins retailer:

Öhlins Asia Co.,Ltd  
700/937 Moo5, Nongkhaka,  
Phantong Chonburi 20160  
Thailand

Phone: +66 (0)38 212 291-6  
Fax: +66 (0)38 212 297  
[www.ohlins.com](http://www.ohlins.com)



[www.ohlins.com](http://www.ohlins.com)