

*Shock absorber Honda monkey-2018*

**HO 8190**

*Spare Parts List*



## SAFETY PRECAUTIONS

### **⚠ Warning!**

The shock absorber/front fork/steering damper is an important part of the vehicle and will affect the stability.

### **⚠ Warning!**

After installing the Öhlins product, take a test ride at low speed to make sure your vehicle has maintained stability.

### **⚠ Warning!**

Some of Öhlins products contain pressurized nitrogen gas (N<sub>2</sub>). Do not open, service or modify pressurized products without proper education (approved Öhlins dealer/distributor) and proper tools.

### **👁 Note!**

Read and ensure you understand the information in this manual and other technical documents provided by Öhlins, before you use the product.

### **👁 Note!**

Öhlins Racing AB can not be held responsible for any damage to the shock absorber/front fork/steering damper, vehicle, other property or injury to persons, if the instructions for mounting, usage and maintenance are not obeyed.

### **⚠ Warning!**

If the suspension makes an abnormal noise, or the function is irregular, or if you notice any leakage from the product, stop the vehicle immediately and return the product to an Öhlins Service Centre.

### **⚠ Warning!**

The product warranty shall only apply if the product has been operated and maintained in accordance with recommendations in this manual. If you have any questions regarding usage, service, inspection and/or maintenance contact Öhlins.

### **👁 Note!**

When working with the Öhlins product, read the Vehicle Service Manual.

### **⚠ Warning!**

This product was developed and designed exclusively for a specific vehicle model and shall only be installed on the intended vehicle model in its original condition as delivered from the vehicle manufacturer.

## Contents

Figure 1 - Body assy .....	3
Figure 2 - Damping assy+Seal head assy .....	4
Figure 3 - Shaft assy .....	5
Figure 4 - Compression valve assy .....	6
Figure 5 - Reservoir assy .....	7

## SAFETY SYMBOLS

In this manual, mounting instructions and other technical documents, important information concerning safety is distinguished by the following symbols:



The Safety Alert Symbol means: Warning! Your safety is involved.

### **⚠ Warning!**

The Warning Symbol means: Failure to follow warning instructions can result in severe or fatal injury to anyone working with, inspecting or using the shock absorber, or to bystanders.

### **👁 Caution!**

The Caution Symbol means: Special precautions must be taken to avoid damage to the shock absorber.

### **👁 Note!**

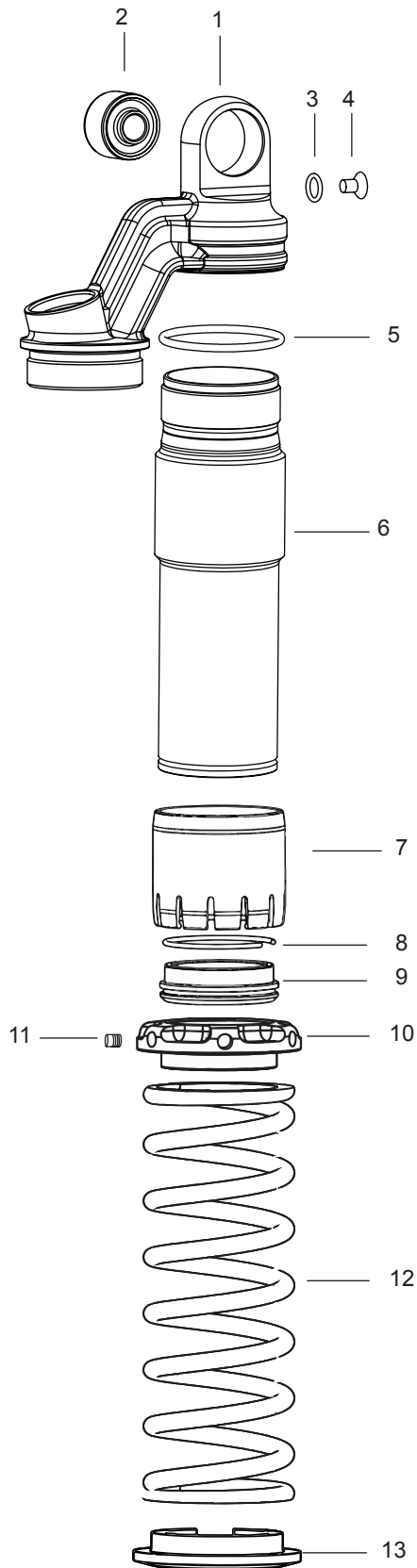
The Note Symbol indicates information that is important regarding procedures.

© Öhlins Racing AB. All rights reserved.

Any reprinting or unauthorized use without the written permission of Öhlins Racing AB is prohibited.

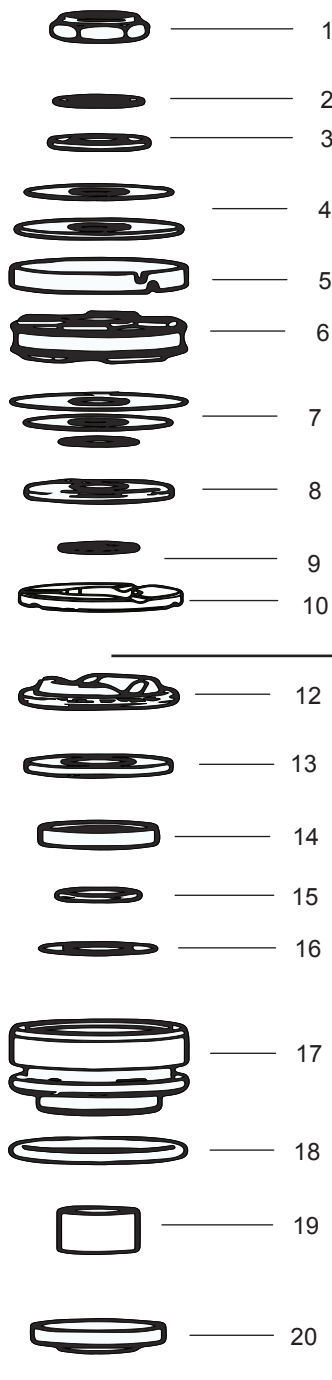
# SPL HO 8190

Figure 1 - Body assy



Pos	Part No	Pcs	Description	Notes
1-1	03250-20	1	Cylinder head	
1-2	60124-05	1	Rubber bushing	
1-3	00438-33	1	O-ring 5.6x1.6	
1-4	00382-07	1	Screw	
1-5	00338-02	1	O-ring 38x2.5	
1-6	67300-11	1	Cylinder tube 36/140	
1-7	00417-02	1	Support sleeve	
1-8	00128-01	1	Circlip	
1-9	63065-02	1	End cap 36/14 clear	
1-10	03251-01	1	Spring adjuster	
1-11	05410-02	1	Stop screw	
1-12	60360-01	1	Spring 46/200/Prog 11-15 N/mm	Installed
	60360-02	1	Spring 46/200/prog 12-19 N/mm"	Alternative
1-13	00116-07	1	Spring clip	

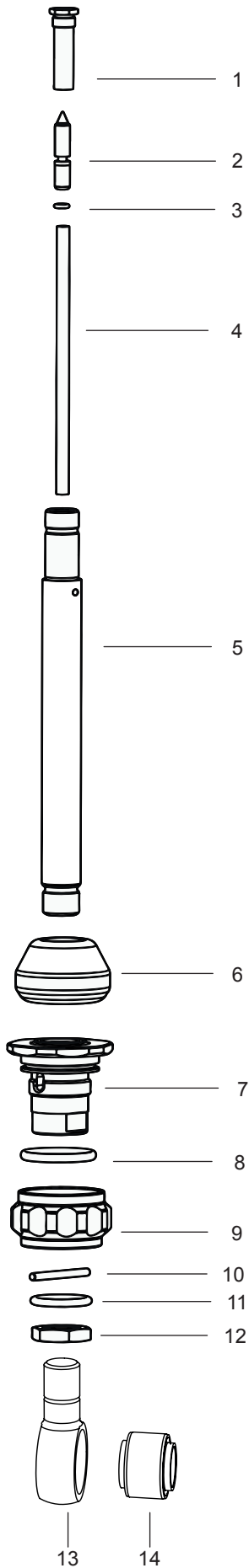
Figure 2 - Damping assy+Seal head assy



Pos	Part No	Pcs	Description	Notes
2-1	00539-01	1	Lock nut	
2-2	00578-01	1	Washer 12/18/1	
2-3	00519-07	1	Stop washer 12/20/2	
2-4	-	-	Shim stack rebound	See spec.
2-5	03078-01	1	Piston ring	
2-6	03377-42	1	Piston	
2-7	-	-	shim stack compression	See spec.
2-8	03068-01	1	Valve stop	
2-9	00436-01	1	Circlip	
2-10	03269-02	1	Spacer 14/30/2 Black	
2-11	03164-08	-	Seal head assy	
2-12	03067-02	1	Stop rubber	
2-13	04752-02	1	Washer	
2-14	04717-02	1	Seal	
2-15	01032-09	1	Back-up ring	
2-16	04729-02	1	Shim	
2-17	63064-03	1	Seal head	
2-18	00338-09	1	O-ring 29.30x3.6	
2-19	01056-12	1	Bushing	
2-20	03070-05	1	Scraper	

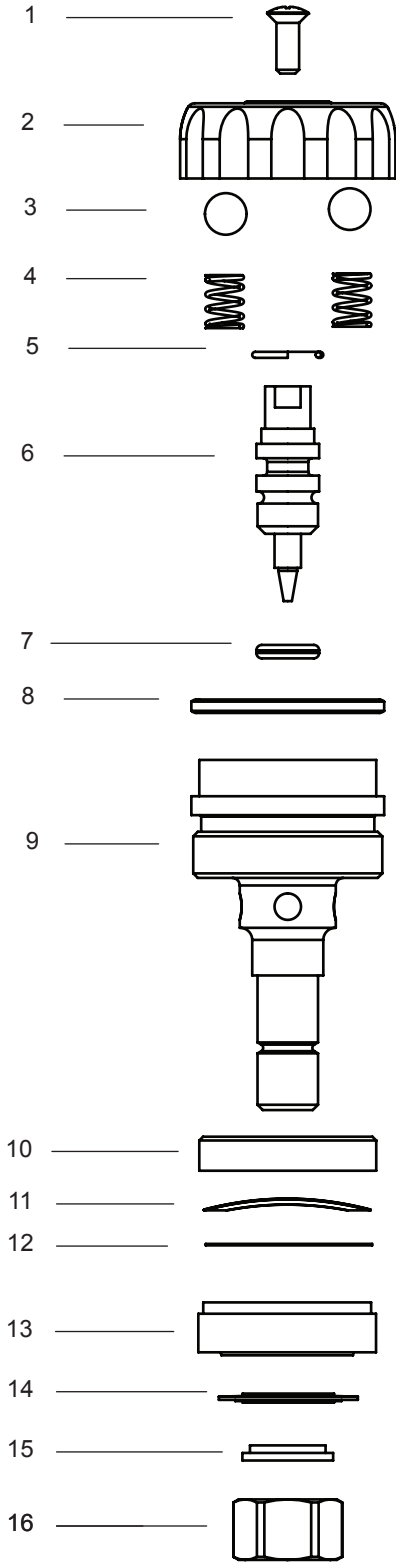
# SPL HO 8190

Figure 3 - Shaft assy



Pos	Part No	Pcs	Description	Notes
3-1	01021-03	1	Shaft jet bleed	
3-2	01055-03	1	Adjustment needle	
3-3	00338-14	1	O-ring 3.1x1.6	
3-4	03566-69	1	Adj. shaft 114.8/4.3	
3-5	03062-20	1	Shaft 14/170	
3-6	03063-01	1	Bump rubber	
3-7	03058-01	1	Shaft	
3-8	00338-83	1	O-ring 24x2	
3-9	03057-01	1	Adj. knob for rebound	
3-10	01030-07	1	Pin	
3-11	00338-25	1	O-ring 19.2x3	
3-12	03059-01	1	Nut M14x1/5	
3-13	03061-12	1	End eye	
3-14	60124-05	1	Rubber bushing	

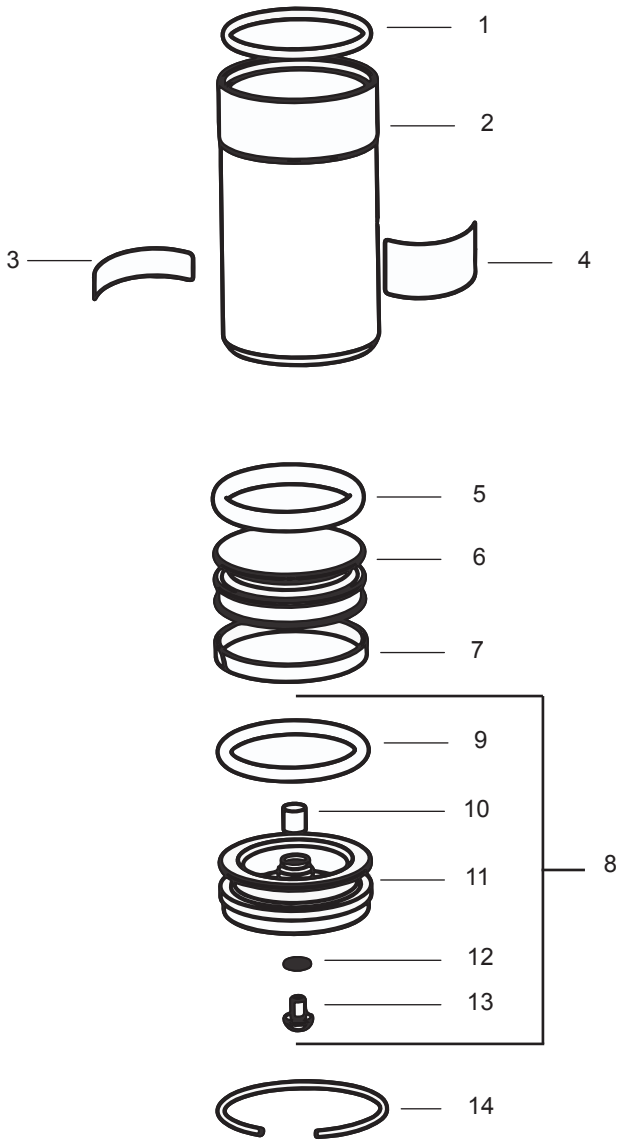
Figure 4 - Compression valve assy



Pos	Part No	Pcs	Description	Notes
4-1	00828-01	1	Screw M3x8	
4-2	00820-02	1	Knob compression adjuster	
4-3	00884-07	2	Ball 5	
4-4	00833-01	2	Spring	
4-5	01473-06	1	Circlip	
4-6	01242-06	1	Adj. needle.knob	
4-7	00338-79	1	O-ring 5.28x1.78	
4-8	00338-27	1	O-ring 21.95x1.78	
4-9	01243-08	1	End piece	
4-10	01247-01	1	Check valve housing	
4-11	01246-01	1	Wave washer	
4-12	01245-01	1	Check valve Shim	
4-13	01244-07	1	Valve compression	
4-14	-	-	Shim stack	
4-15	00641-01	1	Washer	
4-16	00430-07	1	Nut M8	

# SPL HO 8190

Figure 5 - Reservoir assy



Pos	Part No	Pcs	Description	Notes
5-1	00338-24	1	O-ring 40.87x3.53	
5-2	00302-02	1	Reservoir 44/ 90	
5-3	00196-01	1	Sticker "Warning"	
5-4	60191-01	1	Sticker "ÖHLINS"	
5-5	00338-04	1	O-ring 33x5	
5-6	00305-01	1	Reservoir piston	
5-7	00340-01	1	Teflon band	
5-8	00161-03	-	Reservoir top assy	
5-9	00338-04	1	O-ring 33x5	
5-10	00604-01	1	Rubber valve	
5-11	00561-03	1	Reservoir end cap	
5-12	00338-59	1	O-ring 4.5x1.5	
5-13	01050-01	1	Screw	
5-14	00329-01	1	Circlip	

Your Öhlins retailer:

Öhlins Asia Co.,Ltd  
700/937 Moo5, Nongkhaka,  
Phanthong Chonburi 20160  
Thailand

Phone: +66 (0)38 212 291-6  
Fax: +66 (0)38 212 297  
[www.ohlins.com](http://www.ohlins.com)



[www.ohlins.com](http://www.ohlins.com)