

Shock Absorber HONDA CB 500X

HO 1100211

Spare Parts List



SAFETY PRECAUTIONS

⚠ Warning!

The shock absorber/front fork/steering damper is an important part of the vehicle and will affect the stability.

⚠ Warning!

After installing the Öhlins product, take a test ride at low speed to make sure your vehicle has maintained stability.

⚠ Warning!

Some of Öhlins products contain pressurized nitrogen gas (N₂). Do not open, service or modify pressurized products without proper education (approved Öhlins dealer/distributor) and proper tools.

👁 Note!

Read and ensure you understand the information in this manual and other technical documents provided by Öhlins, before you use the product.

👁 Note!

Öhlins Asia Co.,Ltd can not be held responsible for any damage to the shock absorber/front fork/steering damper, vehicle, other property or injury to persons, if the instructions for mounting, usage and maintenance are not obeyed.

⚠ Warning!

If the suspension makes an abnormal noise, or the function is irregular, or if you notice any leakage from the product, stop the vehicle immediately and return the product to an Öhlins Service Centre.

⚠ Warning!

The product warranty shall only apply if the product has been operated and maintained in accordance with recommendations in this manual. If you have any questions regarding usage, service, inspection and/or maintenance contact Öhlins.

👁 Note!

When working with the Öhlins product, read the Vehicle Service Manual.

⚠ Warning!

This product was developed and designed exclusively for a specific vehicle model and shall only be installed on the intended vehicle model in its original condition as delivered from the vehicle manufacturer.

Contents

| | |
|---------------------------------|---|
| Figure 1 - Body assy | 3 |
| Figure 2 - Spring assy | 4 |
| Figure 3 - Damping assy | 5 |
| Figure 4 - Seal head assy | 6 |
| Figure 5 - Shaft assy | 7 |

SAFETY SYMBOLS

In this manual, mounting instructions and other technical documents, important information concerning safety is distinguished by the following symbols:



The Safety Alert Symbol means: Warning! Your safety is involved.

⚠ Warning!

The Warning Symbol means: Failure to follow warning instructions can result in severe or fatal injury to anyone working with, inspecting or using the shock absorber, or to bystanders.

👉 Caution!

The Caution Symbol means: Special precautions must be taken to avoid damage to the shock absorber.

👁 Note!

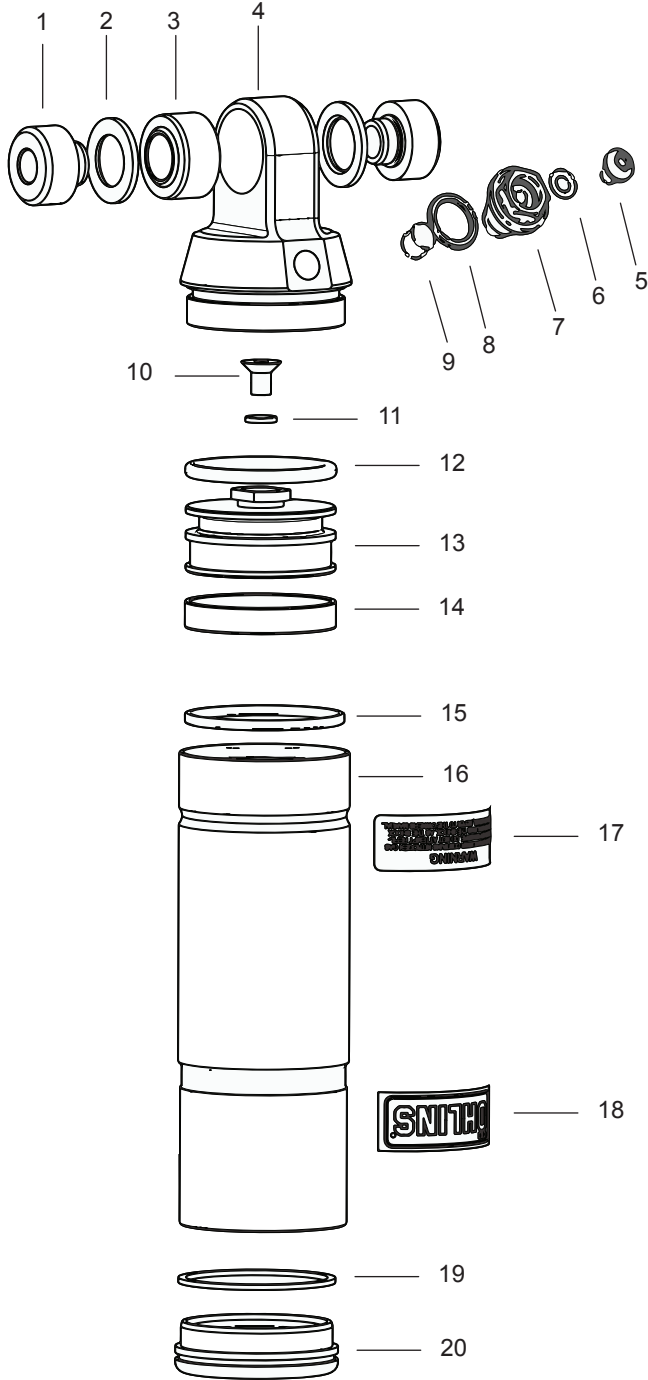
The Note Symbol indicates information that is important regarding procedures.

© Öhlins Asia Co.,Ltd. All rights reserved.

Any reprinting or unauthorized use without the written permission of Öhlins Asia Co.,Ltd is prohibited.

SPL HO 1100211

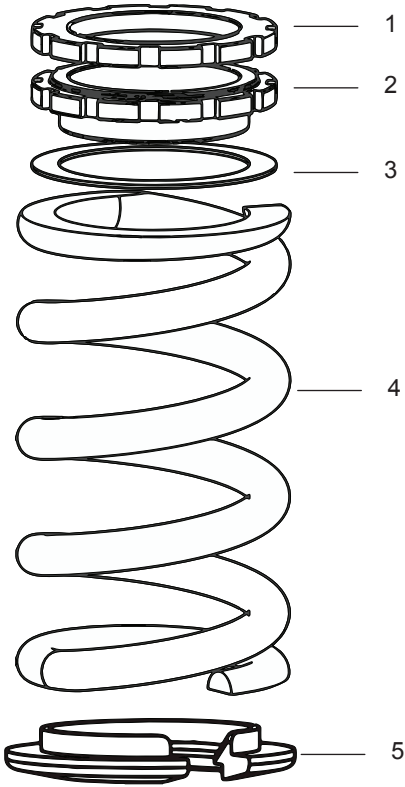
Figure 1 - Body assy



| Pos | Part No | Pcs | Description | Notes |
|------|----------|-----|--------------------|----------------------|
| 1-1 | 01218-24 | 2 | Spacer, ball joint | |
| 1-2 | 00638-82 | 2 | O-ring | |
| 1-3 | 00536-13 | 1 | Ball joint | |
| 1-4 | 61282-03 | 1 | Cylinder head | |
| 1-5 | 01050-01 | 1 | Screw | Included in 00603-03 |
| 1-6 | 00338-59 | 1 | O-ring | Included in 00603-03 |
| 1-7 | 00605-03 | 1 | Valve | Included in 00603-03 |
| 1-8 | 00338-07 | 1 | O-ring | Included in 00603-03 |
| 1-9 | 00604-01 | 1 | Rubber valve | Included in 00603-03 |
| 1-10 | 00382-01 | 1 | Screw | |
| 1-11 | 00338-01 | 1 | O-ring | |
| 1-12 | 00338-13 | 1 | O-ring | |
| 1-13 | 61005-01 | 1 | Piston | |
| 1-14 | 00541-01 | 1 | Piston ring | |
| 1-15 | 00338-32 | 1 | O-ring | |
| 1-16 | 04211-37 | 1 | Cylinder tube | |
| 1-17 | 00196-01 | 1 | Sticker "Warning" | |
| 1-18 | 60191-10 | 1 | Sticker "ÖHLINS" | |
| 1-19 | 00575-01 | 1 | Circlip | |
| 1-20 | 61065-31 | 1 | End cap | |

SPL HO 1100211

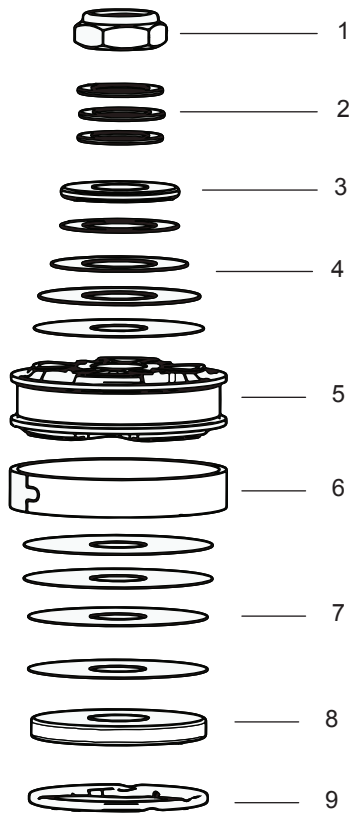
Figure 2 - Spring assy



| Pos | Part No | Pcs | Description | Notes |
|-----|----------|-----|-----------------|-------|
| 2-1 | 60532-01 | 1 | Lock nut | |
| 2-2 | 60531-01 | 1 | Spring platform | |
| 2-3 | 00543-01 | 1 | Washer | |
| 2-4 | 60017-39 | 1 | Spring | |
| 2-5 | 00516-01 | 1 | Spring clip | |

SPL HO 1100211

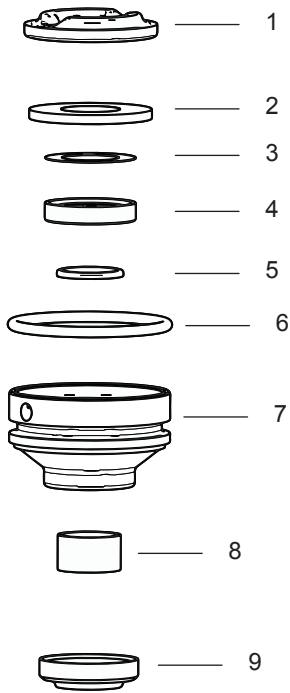
Figure 3 - Damping assy



| Pos | Part No | Pcs | Description | Notes |
|-----|----------|-----|-------------|-----------|
| 3-1 | 00539-01 | 1 | Lock nut | |
| 3-2 | 00578-01 | 3 | Washer | |
| 3-3 | 00519-07 | 1 | Stop washer | |
| 3-4 | - | - | Comp.shim | See spec. |
| 3-5 | 03366-40 | 1 | Piston | |
| 3-6 | 00541-01 | 1 | Piston ring | |
| 3-7 | - | - | Reb.shim | See spec. |
| 3-8 | 00519-04 | 1 | Stop washer | |
| 3-9 | 01069-02 | 1 | Spacer | |

SPL HO 1100211

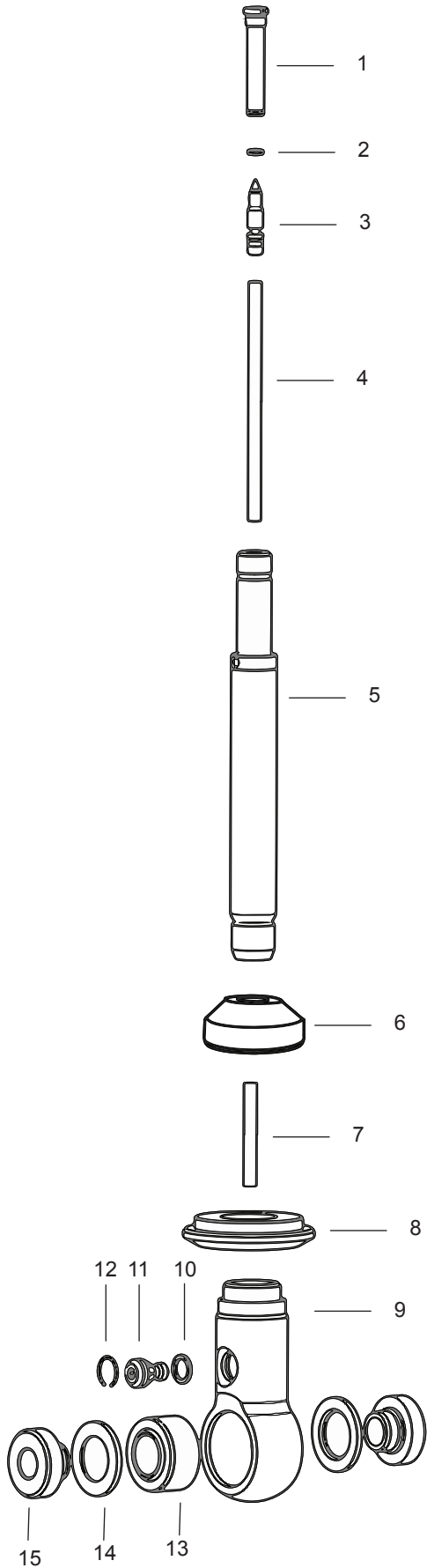
Figure 4 - Seal head assy



| Pos | Part No | Pcs | Description | Notes |
|-----|----------|-----|--------------|----------------------|
| 4-1 | 03067-03 | 1 | Stop rubber | Included in 65129-09 |
| 4-2 | 04752-03 | 1 | Washer | Included in 65129-09 |
| 4-3 | 04717-03 | 1 | Seal | Included in 65129-09 |
| 4-4 | 01032-23 | 1 | Back-up ring | Included in 65129-09 |
| 4-5 | 04729-04 | 1 | Shim | Included in 65129-09 |
| 4-6 | 01056-14 | 1 | Bushing | Included in 65129-09 |
| 4-7 | 00338-46 | 1 | O-ring | Included in 65129-09 |
| 4-8 | 65122-06 | 1 | Seal head | Included in 65129-09 |
| 4-9 | 01031-02 | 1 | Scraper | Included in 65129-09 |

SPL HO 1100211

Figure 5 - Shaft assy



| Pos | Part No | Pcs | Description | Notes |
|------|----------|-----|--------------------|-------|
| 5-1 | 05621-04 | 1 | Shaft jet | |
| 5-2 | 00338-14 | 1 | O-ring | |
| 5-3 | 05655-04 | 1 | Adj. needle | |
| 5-4 | 03566-36 | 1 | Adj. shaft | |
| 5-5 | 65500-26 | 1 | Shaft | |
| 5-6 | 00563-05 | 1 | Bump rubber | |
| 5-7 | 61017-01 | 1 | Stop washer | |
| 5-8 | 03157-01 | 1 | Adj. shaft | |
| 5-9 | 03654-02 | 1 | End eye | |
| 5-10 | 00338-53 | 1 | O-ring | |
| 5-11 | 03156-02 | 1 | Adj. screw reb. | |
| 5-12 | 01473-02 | 1 | Circlip | |
| 5-13 | 00536-13 | 1 | Ball joint | |
| 5-14 | 00638-82 | 2 | O-ring | |
| 5-15 | 01218-12 | 2 | Spacer, ball joint | |

Your Öhlins retailer:

ISO 9001
BUREAU VERITAS
Certification



Öhlins Asia Co.,Ltd
700/937 Moo5, Nongkhaka,
Phanthong Chonburi 20160
Thailand

Phone: +66 (0)38 212 291-6
Fax: +66 (0)38 212 297
www.ohlins.com



www.ohlins.com