

HO 201

Honda CB900F Hornet



Öhlins shock absorber 46 HRCS

Your Öhlins shock absorber type 46 HRCS features the following adjusters:

Compression damping adjuster (C)

Adjustments are made on top of the reservoir.

Rebound damping adjuster (R)

Adjuster wheel on the piston shaft above the end bracket.

Spring preload adjuster (S)

Adjustments are made by turning the knob on the hydraulic adjuster. Clockwise for harder adjustment, counter clockwise to release the preload.

NOTE!

When delivered the Öhlins shock absorber is dialed to recommended settings for the specific brand and make of the motorcycle. If you have changed the setting check like this:

The adjusters have a normal right hand thread. Turn the damping adjusters clockwise to fully closed (pos. zero [0]). Turn counter clockwise to open and count the clicks until you reach the recommended number of clicks. See Setup data at last page.

CAUTION!

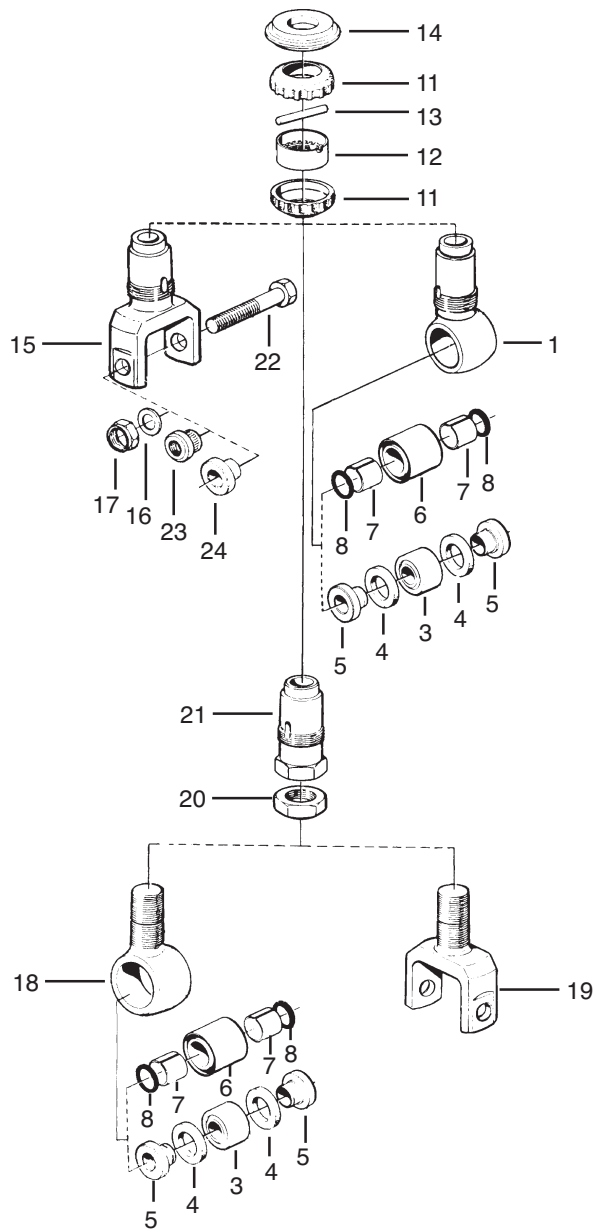
Do not use to much force, delicate sealing surfaces can be damaged.

HO 201

Honda CB900F Hornet

End eye

FigNo.	Part No	Description	Qty
01-01	01054-03	End eye 16/53/26	1
01-03	00536-02	Ball joint dia 14/26/15	1
01-04	00534-01	Seal ball joint 16/26/3.5	2
01-05	01018-24	Spacer, ball joint 10x39	2
01-11	01016-01	Seal rebound adjuster	2
01-12	01128-01	Adjustment knob 25/33.1	1
01-13	01030-01	Pin 4x30 CPr h8	1
01-14	01017-01	Stop washer 20/46/10	1

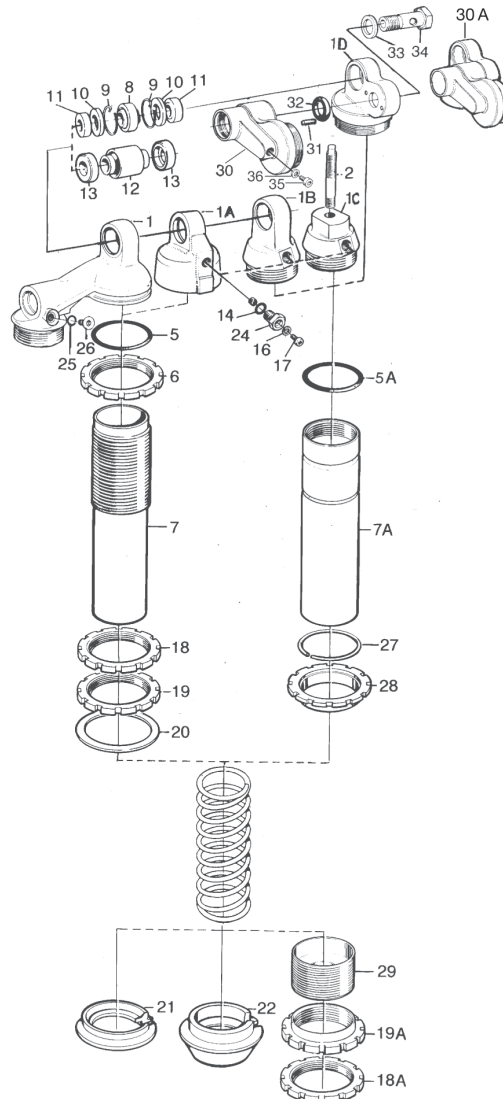


HO 201

Honda CB900F Hornet

Body tube

Fig No.	Part No	Description	Qty
02-00	01093-74	Spring 57/150/180	1
02-01B	01282-02	Cylinder head 46/26 hose M10	1
02-05A	00338-32	O-ring 44.12x2.62 NBR70	1
02-07A	01110-02	Cylinder tube 46/130.5	1
02-08	00536-02	Ball joint dia 14/26/15	1
02-10	00534-01	Seal ball joint 16/26/3.5	2
02-11	01018-16	Spacer, ball joint 10x28	2
02-20	00543-01	Washer 57/73/1	1
02-21	01286-01	Spring clip for springs 57	1

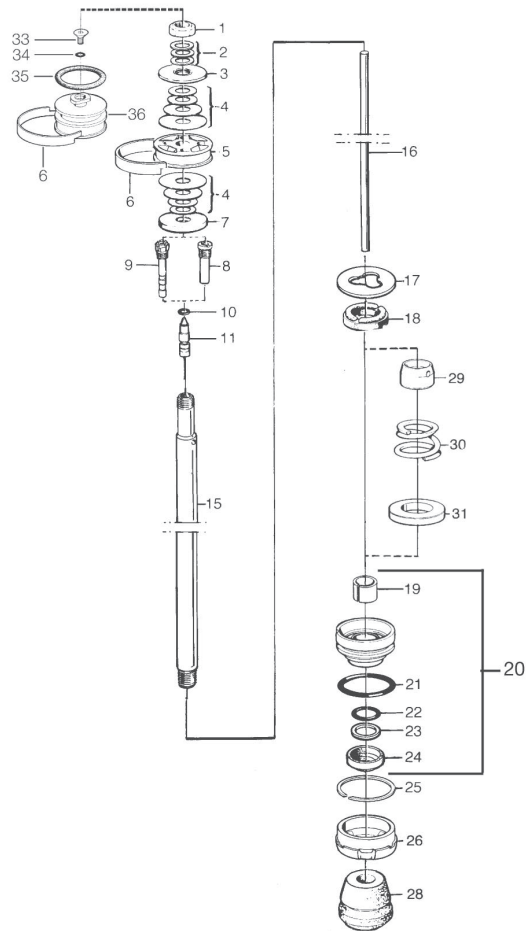


HO 201

Honda CB900F Hornet

Shaft

Fig No.	Part No	Description	Qty
03-01	00539-01	Lock nut M12x1.25/7	1
03-02	00578-01	Washer PS 12/18/1	4
03-03	00519-07	Stop washer 12/20/2 flat	1
03-05	01114-14	Piston 12/46	1
03-06	00541-01	Piston ring 46	1
03-07	00519-04	Stop washer 12/37/4 flat	1
03-09	05665-12	Valve assy dia 1.2 shaft bleed 3.2	1
03-10	00338-14	O-ring 3.1x1.6 NBR70	1
03-11	05655-04	Adjustment needle dia 3.2	1
03-15	05500-05	Shaft 16/143	1
03-16	00566-66	Adj.shaft 83.6/4.5	1
03-17	01069-10	Spacer 16/37.8/10 Blue	1
03-18	05115-01	Stop rubber 23/36/8	1
03-19	01056-13	Bushing 16/18/12 DU	1
03-20	05129-04	Seal head assy 46/16	1
03-21	00576-01	O-ring 40.2x3 NBR70	1
03-22	01027-01	X-ring 15.54x2.62 NBR 88	1
03-23	01032-01	Back-up ring 16/20.6/1.4 PTFE	1
03-24	01031-02	Scraper 16/26x8/5.5	1
03-25	00575-01	Circlip SB 46, stainless	1
03-26	01065-01	End cap 46/16	1
03-28	00563-03	Bump rubber 16/47/19 PUR 650	1

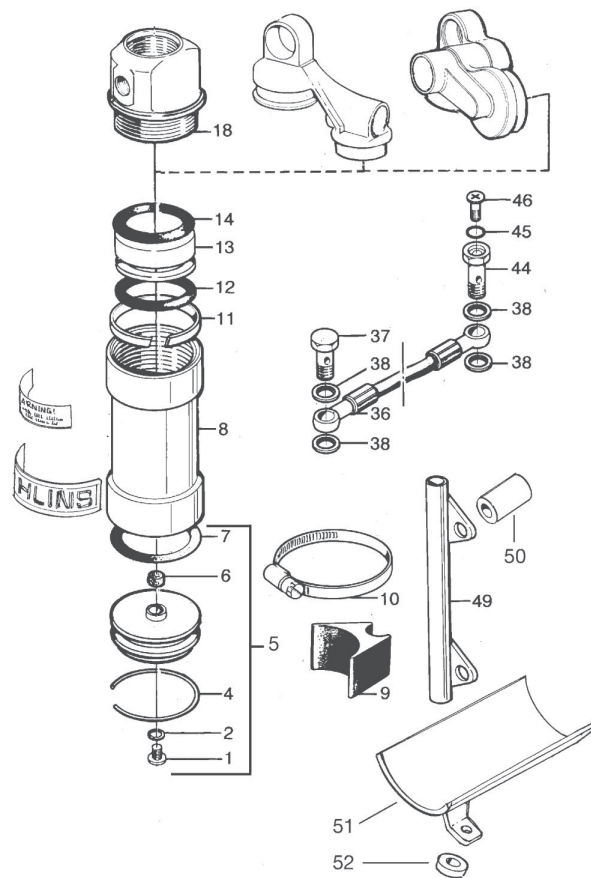


HO 201

Honda CB900F Hornet

Reservoir

Fig No.	Part No	Description	Qty
04-00	00191-06	Sticker "ÖHLINS" blue/transp 18x46	1
04-00	00196-01	Sticker "Warning" black/transp 17x53	1
04-01	01050-01	Screw DIN 7985 Torx A2 M4x6	1
04-02	00338-59	O-ring 4.5x1.5 NBR70	1
04-04	00329-01	Circlip 48/1.5	1
04-05	00161-03	Reservoir top assy 44	1
04-07	00338-04	O-ring 33x5 NBR70	1
04-08	00302-06	Reservoir 44/ 80	1
04-11	00340-01	Teflon band dia 44/5 55-60d shore D	1
04-12	00338-26	O-ring 33x5 FKM70	1
04-13	00305-01	Reservoir piston 44	1
04-14	00338-24	O-ring 40.87x3.53 NBR70	1
04-18	00862-02	Reservoir end 44/M10	1
04-36	00637-05	Hose 10/10/330-15	1
04-37	00631-01	Banjo bolt M10x1/20	1
04-38	00586-01	Seal washer dia 10 10.7x16x1.5	4
04-44	00631-02	Banjo bolt M10x1/20/M5	1
04-45	00438-33	O-ring 5.6x1.6 NBR 70	1
04-46	00382-07	Screw MFT (DIN7991) A2 M5x8	1

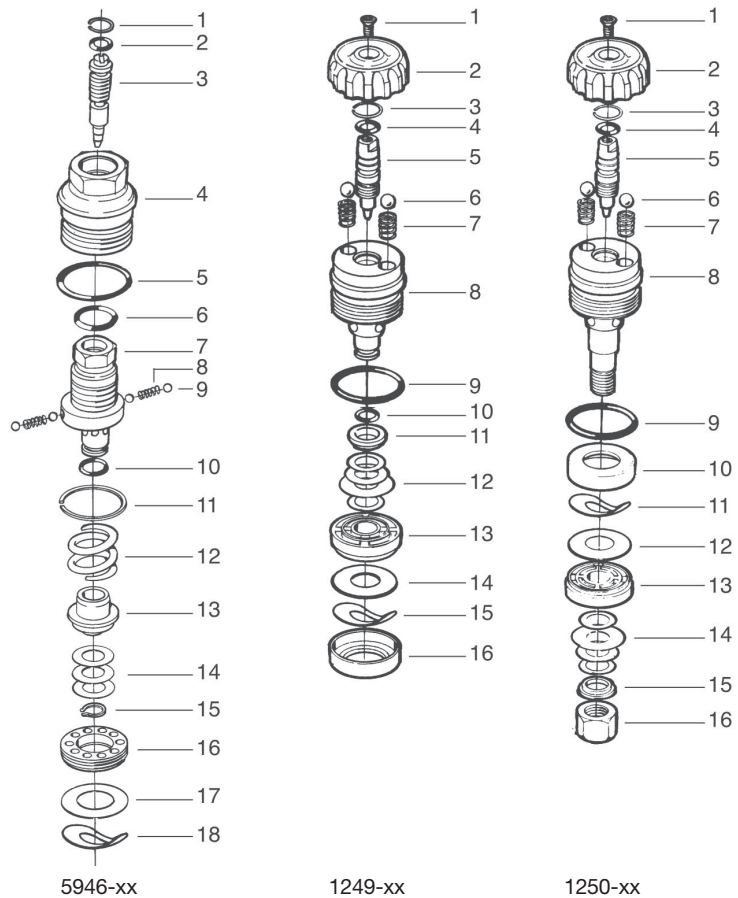


HO 201

Honda CB900F Hornet

Comp. Valve

Fig No.	Part No	Description	Qty
05-01	00828-01	Screw DIN966 Torx A2 M3x8	1
05-02	00820-02	Knob compression adjuster	1
05-03	01473-06	Circlip SRH 8 .3 stainless	1
05-04	00338-79	O-ring 5.28x1.78 NBR70	1
05-05	01242-06	Adjustment needle 2.5 adj.knob	1
05-06	00884-07	Ball 5.5-G40-X46CR13	2
05-07	00833-01	Spring 4.9/12.5	2
05-08	01243-08	End piece hose comp.adj 2.5 Fat-Bob	1
05-09	00338-27	O-ring 21.95x1.78 NBR70	1
05-10	01247-01	Check valve housing 16/23.4/4.5	1
05-11	01246-01	Wave washer 16/22/3.5	1
05-12	01245-01	Shim 0.20-22/16.5	1
05-13	01244-05	Valve compression adjuster sintered	1
05-15	00641-01	Washer 8/10/2	1
05-16	00430-05	Nut M8 DIN 985 fzb kl8	1



HO 201

Honda CB900F Hornet

Preload adjuster

Fig No.	Part No	Description	Qty
06-00	00191-06	Sticker "ÖHLINS" blue/transp 18x46	1
06-01	03611-01	Support ring di 54.4x3.25x1.5	1
06-03	03607-01	Preload housing M10-hose	1
06-04	00338-90	O-ring 54X4 NBR70	2
06-05	03610-01	Support ring 62.2x3.25x1.5	1
06-06	03606-01	Inner sleeve hydr.prel.adj	1
06-07	03609-01	Lock nut 61/52/6	1
06-08	03608-01	Guide nut 52/73/6	1
06-09	03613-01	Pin CP 4x35 m6 A1	1
06-10	01047-05	Hose M8x1/M10x1/720	1
06-11	01048-01	Seal washer dia 8 8.7x14x1	1
06-12	03600-02	Adj.cylinder hydr.prel.adj 3:1 8mm	1
06-13	00338-79	O-ring 5.28x1.78 NBR70	1
06-14	00382-07	Screw MFT (DIN7991) A2 M5x8	1
06-15	03601-02	Guide screw M3x6.5	1
06-15	03614-01	Seal washer dia 3 3.1x6.4x1.3	1
06-16	03604-02	Piston 17.5/M12-left/34	1
06-17	00338-71	O-ring 12.37x2.62 NBR70	1
06-18	03602-02	Adj. screw M12-left/54.5	1
06-19	03083-01	Spring 3/6.1/6.18	1
06-20	00884-03	Ball 3-G40-X46CR13	1
06-21	00131-03	Circlip SW 10	1
06-22	03073-02	Thrust washer LS 1024	1
06-23	01023-02	Thrust needle bearing AXK1024	1
06-24	03072-02	Thrust washer AS 1024	1
06-25	03603-01	Cover 29/10.3/9	1
06-26	00338-88	O-ring 10x2.5 NBR70	1
06-27	03605-01	Knob for hydr.prel.adj. with hose	1
06-28	00382-08	Screw MF6S 5x12 stainless	1
06-30	01164-01	Bracket hydraulic preload adjust.	1
06-32	01138-01	Spacer 6.5/15/5	2
06-34	01046-02	Bolt MC6S 6x30 8.8 fzb	2
06-35	00430-02	Nut M6 DIN 985 fzb k18	2
06-36	01046-06	Bolt MC6S 6x35 8.8 fzb	1

