

# HO 147

Honda CB 1300



## Öhlins shock absorber 36 PRCLB

Your Öhlins shock absorber type 36 PRCLB features the following adjusters:

### Compression damping adjuster

Adjustments are made on top of the reservoir.

### Rebound damping adjuster

Adjuster wheel on the piston shaft above the end bracket.

### Spring preload adjuster

Adjustments are made by turning the rings on the shock absorber body. Clockwise for harder adjustment, counter clockwise too release the preload.

### Length adjuster

Adjustment is made by turning the end eye and tightening with the lock nut.

### NOTE!

*When delivered the Öhlins shock absorber is dialed to recommended settings for the specific brand and make of the motorcycle. If you have changed the setting check like this:*

The adjusters have a normal right hand thread. Turn the damping adjusters clockwise to fully closed (pos. zero [0]). Turn counter clockwise to open and count the clicks until you reach the recommended number of clicks. See Setup data at last page.

### CAUTION!

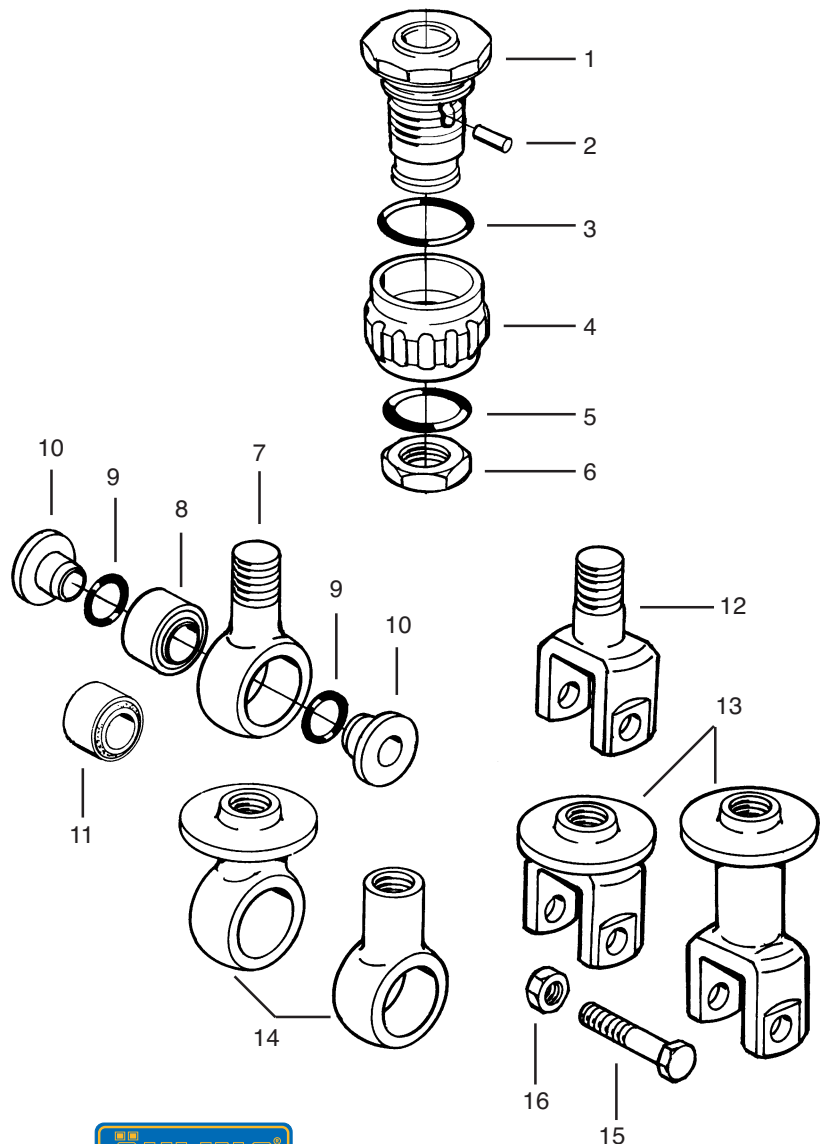
*Do not use too much force, delicate sealing surfaces can be damaged.*

# HO 147

Honda CB 1300

## End eye

FigNo.	Part No	Description	Qty
02-01	03058-01	Shaft M13x1/37.5	2
02-06	03059-01	Nut M14x1/5	2
02-07	03061-01	End eye M14/41.5/22	2
02-08	00136-01	Ball joint 12/22/10 Askubal GE12-D	2
02-09	00338-06	O-ring 14x4 NBR70	4
02-10	00118-18	Spacer, ball joint 10x25	2
02-10	00118-26	Spacer, ball joint 10x27	2

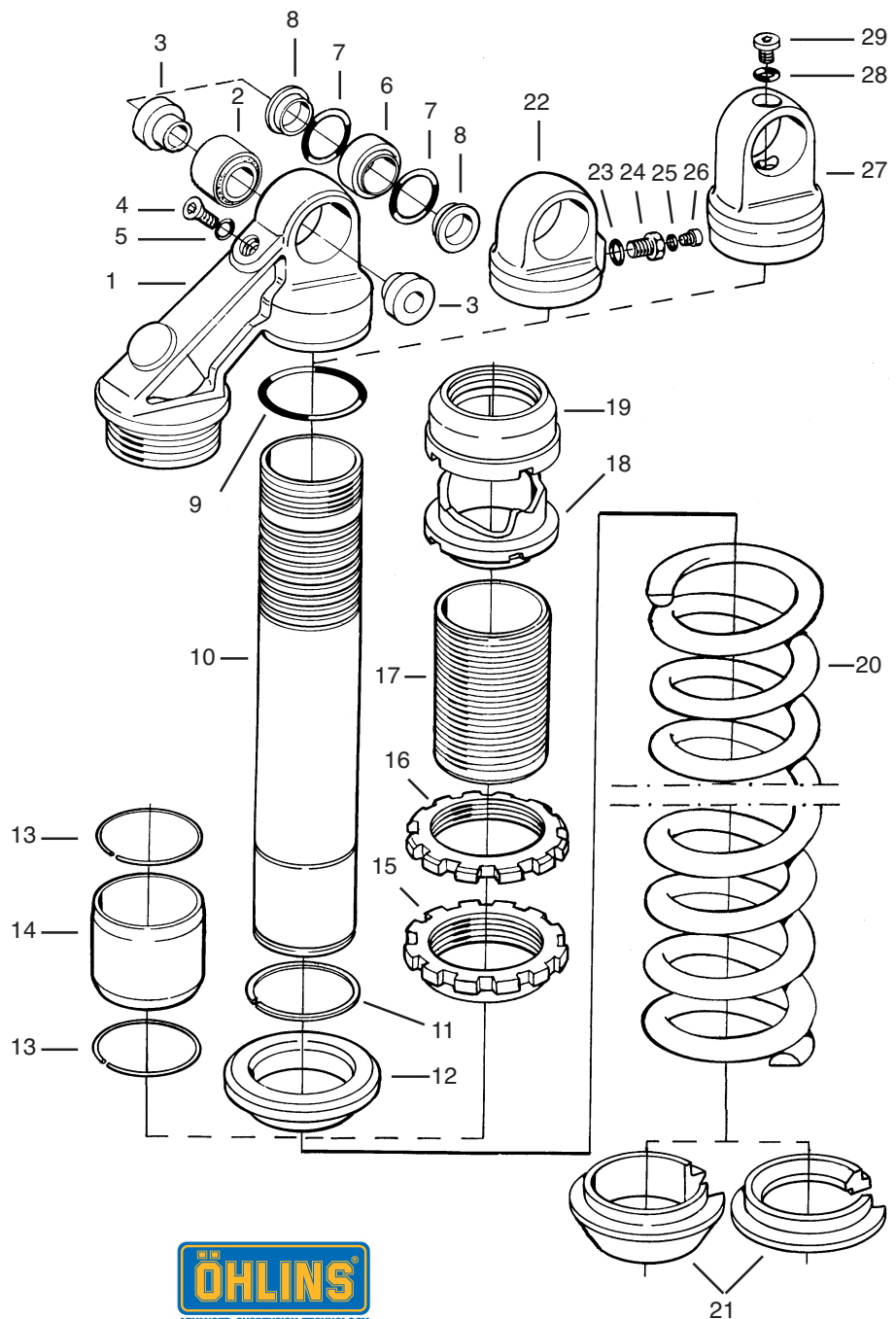


# HO 147

Honda CB 1300

## Body tube

Fig No.	Part No	Description	Qty
03-01	00303-33	Cylinder head pb K36/26	2
03-02	00124-15	Rubber bushing 14/26-20	2
03-04	00382-07	Screw MFT (DIN965) A2 M5x8	£ 2
03-05	00438-33	O-ring 5.6x1.6 NBR 70	2
03-09	00338-02	O-ring 38x2.5 NBR70	2
03-10	00300-24	Cylinder tube 36/145	2
03-11	00131-01	Circlip SW 40	2
03-13	00428-01	Circlip 36/1.5	4
03-14	00417-01	Support sleeve, spring 40.15/44/35	2
03-20	00180-57	Spring 46/180/41 N/mm	2
03-21	00116-04	Spring clip silver	2

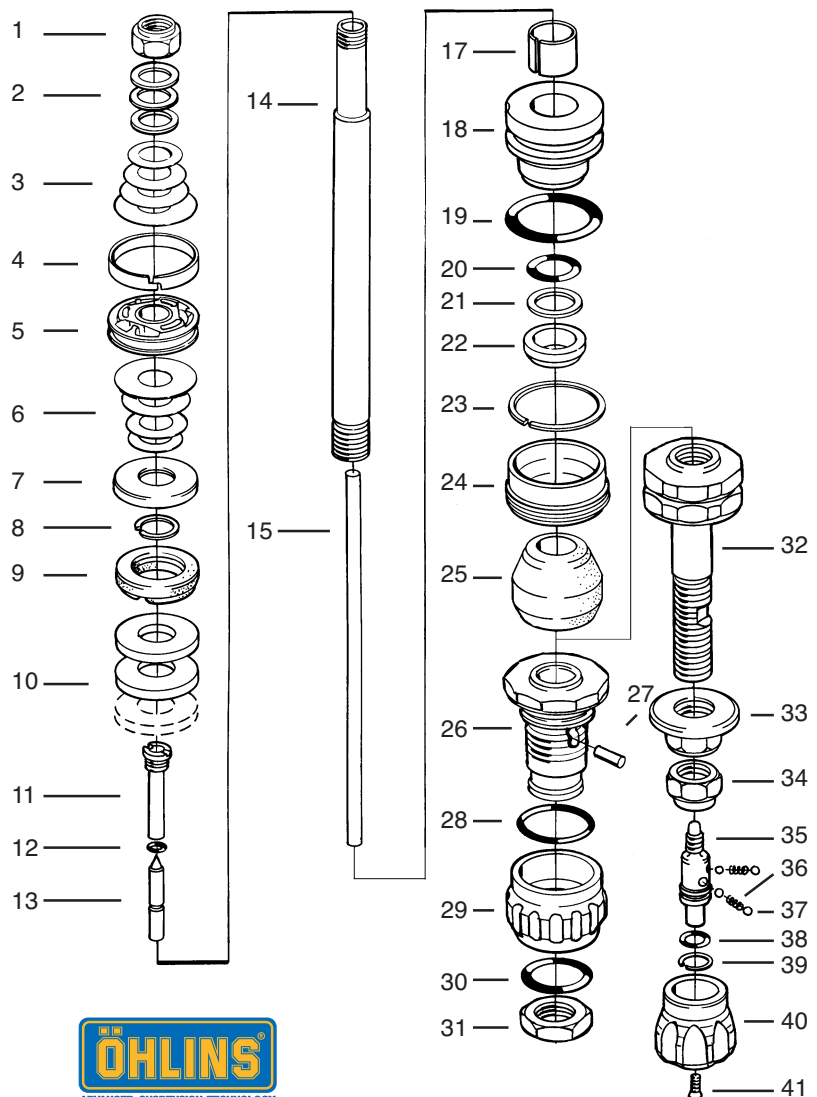


# HO 147

Honda CB 1300

## Piston and shaft with rebound adjuster

Fig No.	Part No	Description	Qty
05-01	00539-01	Lock nut M12x1.25/7	2
05-02	00578-01	Washer PS 12/18/1	6
05-03	01055-03	Adjustment needle dia 4.0	2
05-04	03078-01	Piston ring 36/6	2
05-05	03077-02	Piston 12/36/1.6 bleed	2
05-07	03068-01	Stop washer 12/30/3 flat	2
05-08	00436-01	Circlip AV 12	2
05-09	03067-01	Rubber stop 13/30/6	2
05-10	03066-02	Spacer 14/30/2	4
05-10	03066-03	Spacer 14/30/3	12
05-11	01021-03	Shaft jet bleed 4.0	2
05-12	00338-14	O-ring 3.1x1.6 NBR70	2
05-14	03062-02	Shaft 14/165	2
05-15	00566-69	Adj.shaft 109.1/4.5	2
05-18	03164-01	Seal head assy 14/36	2
05-23	00128-01	Circlip 40/1.5	2
05-24	03065-01	End cap 36/14	2
05-25	03063-01	Bump rubber 14.1/34/25 NITRIL 60IRH	2
05-27	01030-07	Pin 3x28 CP r h8	2
05-28	00338-83	O-ring 24x2 NBR70	2
05-29	03057-01	Adjustment knob for rebound adjust	2
05-30	00338-25	O-ring 19.2x3 NBR70	2

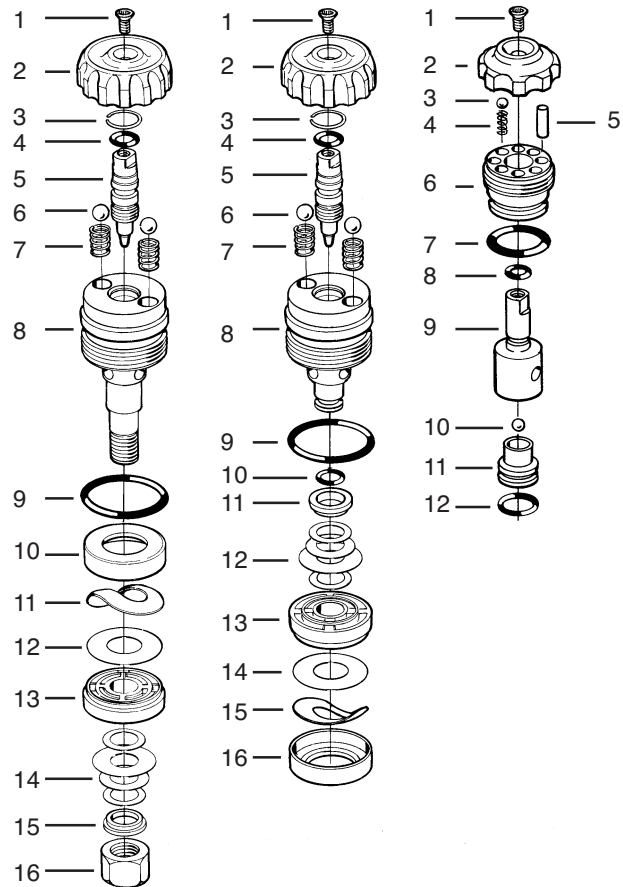


# HO 147

Honda CB 1300

## Compression adjuster

Fig No.	Part No	Description	Qty
06-01	00828-01	Screw DIN966 Torx A2 M3x8	£ 2
06-02	03079-01	Knob compression adjuster APB	2
06-03	00884-03	Ball 3-G40-X46CR13	£ 4
06-04	03083-01	Spring 3/6.1/6.18	2
06-05	01030-05	Pin 3x8 CP m6 A1	2
06-06	03080-01	Threaded collar M18x1/11.8	2
06-07	00338-81	O-ring 13x1.5 NBR70	2
06-08	00338-82	O-ring 3.5x1.5 NBR70	2
06-09	03081-01	Shaft sleeve compression adjuster	2
06-11	03082-01	Seat, compression adjuster	2
06-12	00338-80	O-ring 6.5x1.6 NBR70	2

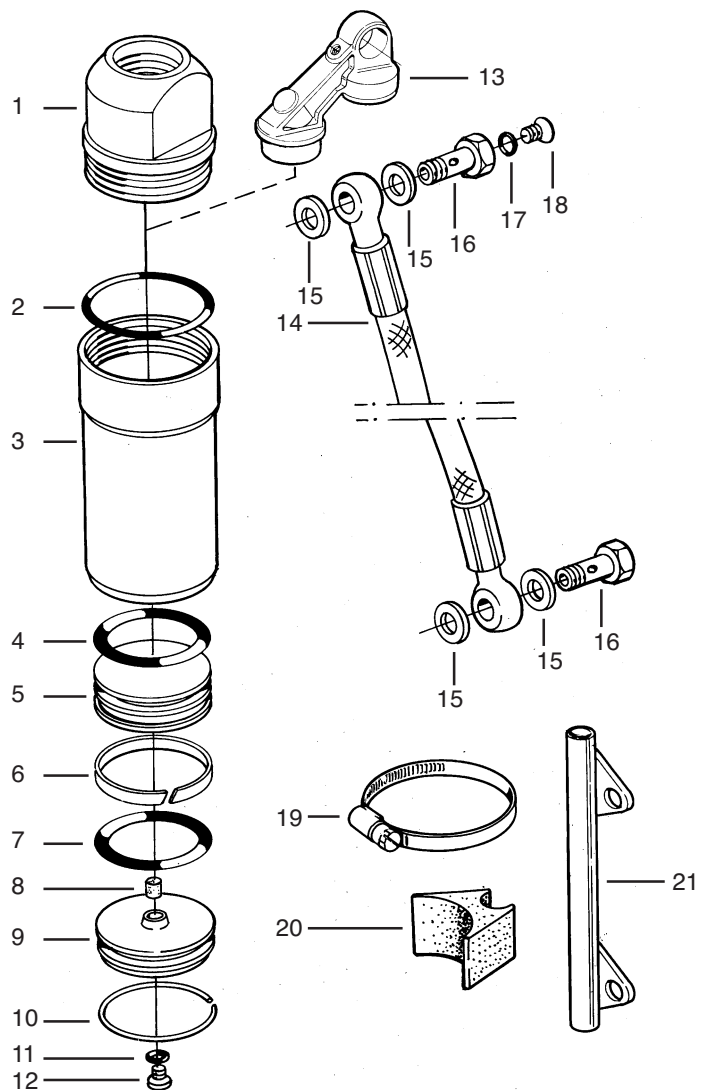


# HO 147

Honda CB 1300

## External reservoir

Fig No.	Part No	Description	Qty
07-00	00191-01	Sticker "ÖHLINS" black/transp31x150	2
07-00	00196-01	Sticker "Warning"black/transp 17x53	2
07-02	00338-24	O-ring 40.87x3.53 NBR70	2
07-03	00302-02	Reservoir 44/ 90	2
07-04	00338-26	O-ring 33x5 FKM70	2
07-05	00305-01	Reservoir piston 44	2
07-06	00340-01	Teflon band dia 44/5 55-60d shore D	2
07-07	00338-04	O-ring 33x5 NBR70	2
07-09	00161-03	Reservoir top assy 44	2
07-10	00329-01	Circlip 48/1.5	2
07-11	00338-59	O-ring 4.5x1.5 NBR70	2
07-12	01050-01	Screw DIN 7985 Torx A2 M4x6	£ 2



# HO 147

Honda CB 1300

## Hydraulic preloader

Fig No.	Part No	Description	Qty
08-00	03150-01	Hydraulic adjuster compl left	2
08-00	03150-02	Hydraulic adjuster compl right	2
08-01	00131-01	Circlip SW 40	2
08-02	03069-01	Sleeve	2
08-03	00338-61	O-ring 42.52x2.62 NBR70	2
08-04	00382-05	Screw MFT (DIN965) A2 M4x6 £	2
08-05	00338-59	O-ring 4.5x1.5 NBR70	2
08-05	00338-59	O-ring 4.5x1.5 NBR70	2
08-07	03075-01	Piston M10/17 hydr.preload adj twin	2
08-08	00338-71	O-ring 12.37x2.62 NBR70	2
08-08	00338-71	O-ring 12.37x2.62 NBR70	2
08-09	03074-01	Adjustment screw 10/44.5	2
08-10	03073-01	Thrust washer LS 0821	2
08-11	01023-01	Thrust needle bearing AXK0821	2
08-12	03072-01	Thrust washer AS 0821	2
08-13	00338-60	O-ring 8.1x1.6 NBR70	2
08-13	00338-60	O-ring 8.1x1.6 NBR70	2
08-14	03071-01	Cover hydraulic preload adjuster	2
08-15	03083-01	Spring 3/6.1/6.18	2
08-16	00884-03	Ball 3-G40-X46CR13 £	2
08-17	03076-01	Knob hydraulic preload adjuster APB	2
08-18	00382-08	Screw MF6S 5x12 stainless £	2
08-19	01030-06	Pin 2x7 CP m6 A1	4

