

**S36PR1C1L Harley Davidson XR 1200**

**HD 852 4**

**Spare Parts List**





ADVANCED SUSPENSION TECHNOLOGY

## Safety Precautions

### **Note!**


The shock absorber is a very important part of the vehicle and will therefore affect the stability of the vehicle.


 Read and make sure that you understand the information in this manual and the mounting instructions before you use this product. If you have any questions regarding installation or maintenance please contact your nearest Öhlins dealer.

 Öhlins Racing AB can not be held responsible for any damage to the shock absorber, vehicle, other property or injury to persons, if the instructions for installing and maintenance are not followed exactly.

### **Warning!**


This product was developed and designed exclusively for a specific vehicle model and should only be installed on the intended vehicle model in its original condition as delivered from the vehicle manufacturer.

 This product contains pressurized nitrogen gas (N<sup>2</sup>). Do not open, service or modify this product without proper education (authorized Öhlins dealer/distributor) or proper tools.

 After installing this product, take a test ride at low speed to make sure that your vehicle has maintained its stability.

### **Note!**

When working on this product, always consult your Vehicle Service Manual.

 This Manual should be considered as a part of the product and should therefore accompany the product throughout its life cycle.

## Safety Symbols

In this manual, mounting instructions and other technical documents, important information concerning safety is distinguished by the following symbols:



The Safety Alert Symbol means: Warning! Your safety is involved.

### **Warning!**

The Warning Symbol means: Failure to follow warning instructions can result in severe or fatal injury to anyone working with, inspecting or using the shock absorber, or to bystanders.



### **Caution!**

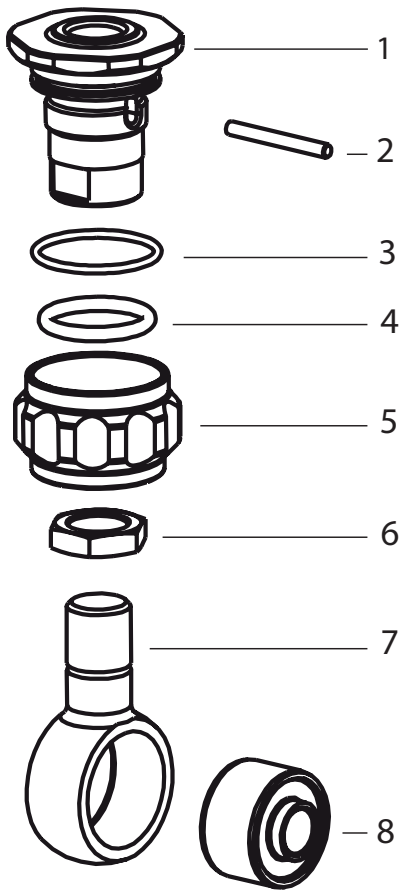
The Caution Symbol means: Special precautions must be taken to avoid damage to the shock absorber.

### **Note!**

The Note Symbol indicates information that is important regarding procedures.

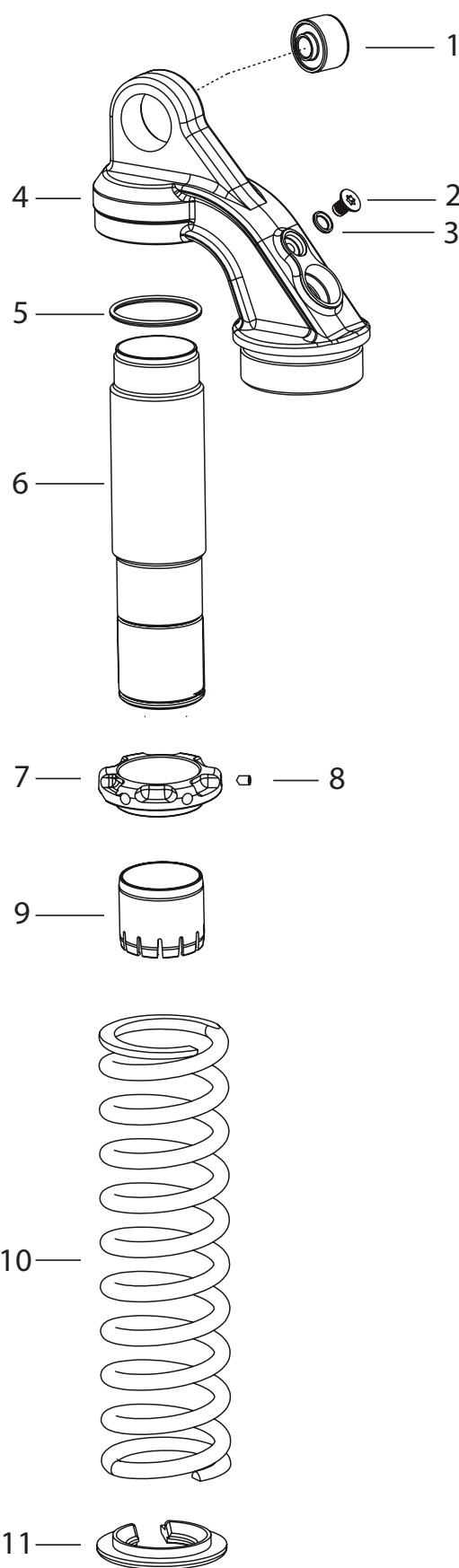
© Öhlins Racing AB. All rights reserved. Any reprinting or unauthorized use without the written permission of Öhlins Racing AB is prohibited.  
Printed in Sweden.

Figure 1



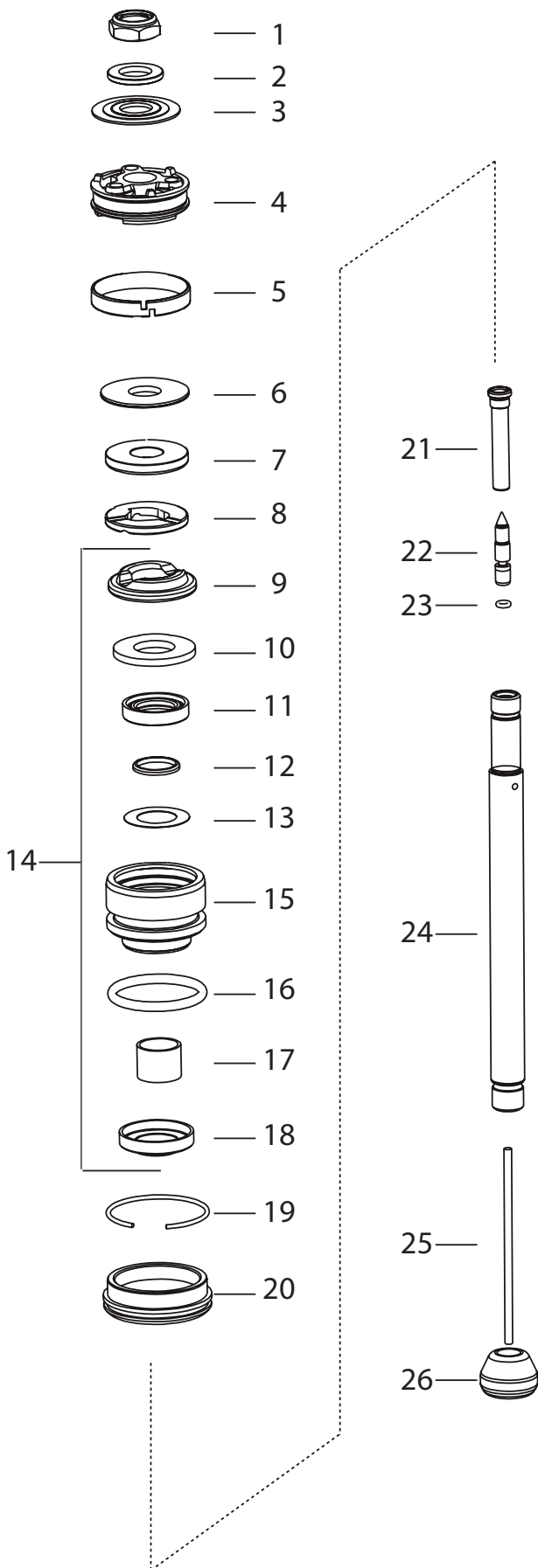
Pos	Part No	Pcs	Description	Notes
1-1	03058-01	1	Shaft extension	
1-2	01030-07	1	Pin	
1-3	00338-83	1	O-ring	
1-4	00338-25	1	O-ring	
1-5	03057-01	1	Adjustment knob	
1-6	03059-01	1	Nut	
1-7	03061-12	1	End eye	
1-8	60124-17	1	Rubber bushing	
	00123-13	1	Sleeve Stainless	
	03118-08	2	Washer stainless	

**Figure 2**



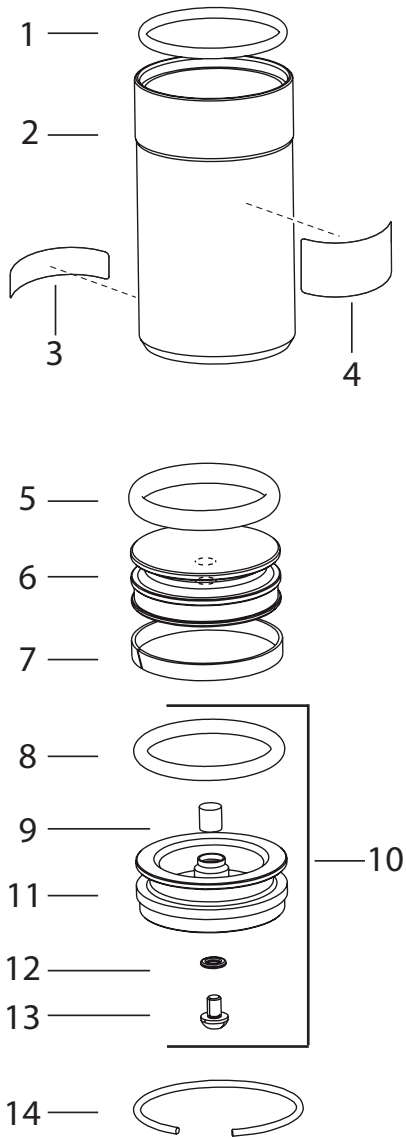
Pos	Part No	Pcs	Description	Notes
2-1	60124-17	1	Rubber bushing	
	00123-13	1	Sleeve stainless	
	03118-08	2	Washer stainless	
2-2	00382-07	1	Screw	
2-3	00438-33	1	O-ring	
2-4	00303-33	1	Cylinder head	
2-5	00338-02	1	O-ring	
2-6	67300-27	1	Cylinder tube	
2-7	03251-02	1	Spring platform	
2-8	05410-02	1	Stop screw (nylon)	
2-9	00417-02	1	Support sleeve	
2-10	66394-04	1	Spring	
2-11	00116-07	1	Spring clip	

Figure 3



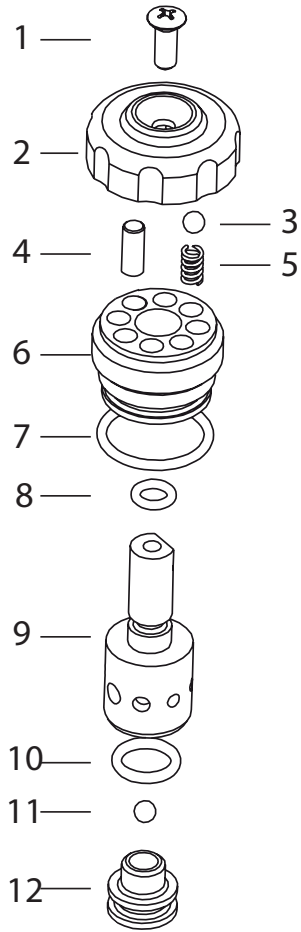
Pos	Part No	Pcs	Description	Notes
3-1	00539-01	1	Lock nut	
3-2	00578-01	1	Washer	
3-2	00519-07	1	Valve stop	
3-3	-	-	Shim stack	
3-4	03377-40	1	Piston	
3-5	03078-01	1	Piston ring	
3-6	-	-	Shim stack	
3-7	03068-01	1	Valve stop	
3-8	03269-03	1	Spacer	
3-9	03067-02	1	Stop rubber	
3-10	04752-02	1	Washer	
3-11	04717-02	1	Seal	
3-12	01032-09	1	Back up ring	
3-13	04729-02	1	Shim	
3-14	03164-08	1	Seal head assy	
3-15	63064-03	1	Seal head	
3-16	00338-09	1	O-ring	
3-17	01056-12	1	Bushing	
3-18	03070-05	1	Scraper	
3-19	00128-01	1	Circlip	
3-20	63065-02	1	End cap	
3-21	01021-03	1	Shaft jet	
3-22	01055-03	1	Adjustment valve	
3-23	00338-14	1	O-ring	
3-24	03062-01	1	Shaft	
3-25	00566-64	1	Adjustment shaft	

**Figure 4**



Pos	Part No	Pcs	Description	Notes
4-1	00338-24	1	O-ring	
4-2	00302-02	1	Reservoir	
4-3	00196-01	1	Sticker "Warning"	
4-4	60191-01	1	Sticker "Öhlins"	
4-5	00338-26	1	O-ring	
4-6	00305-01	1	Reservoir piston	
4-7	00340-01	1	Teflon band	
4-8	00338-04	1	O-ring	
4-9	00604-01	1	Rubber valve	
4-10	00161-03	1	Reservoir top assy	
4-11	00561-03	1	Reservoir end	
4-12	00338-59	1	O-ring	
4-13	01050-01	1	Screw	
4-14	00329-01	1	Circlip	

Figure 5



Pos	Part No	Pcs	Description	Notes
5-1	00828-01	1	Screw	
5-2	03079-01	1	Knob	
5-3	00884-03	1	Ball	
5-4	01030-05	1	Pin	
5-5	03083-01	1	Spring	
5-6	03080-01	1	Treaded collar	
5-7	00338-81	1	O-ring	
5-8	00338-82	1	O-ring	
5-9	03081-01	1	Shaft sleeve	
5-10	00338-80	1	O-ring	
5-11	00884-03	1	Ball	
5-12	03082-01	1	Seat	

Your Öhlins retailer:

Öhlins Asia Co.,Ltd  
700/937 Moo5, Nongkhaka,  
Phanthong Chonburi 20160  
Thailand

Phone: +66 (0)38 212 291-6  
Fax: +66 (0)38 212 297  
[www.ohlins.com](http://www.ohlins.com)



[www.ohlins.com](http://www.ohlins.com)