

Shock absorber S36DR1 Harley Davidson FL,Blackline

HD 776 0 HD 776S2 0

HD 776S3 0

Spare Parts List

SAFETY PRECAUTIONS

⚠ Warning!

The shock absorber/front fork/steering damper is an important part of the vehicle and will affect the stability.

⚠ Warning!

After installing the Öhlins product, take a test ride at low speed to make sure your vehicle has maintained stability.

⚠ Warning!

Some of Öhlins products contain pressurized nitrogen gas (N₂). Do not open, service or modify pressurized products without proper education (approved Öhlins dealer/distributor) and proper tools.

👁 Note!

Read and ensure you understand the information in this manual and other technical documents provided by Öhlins, before you use the product.

👁 Note!

Öhlins Asia Co.,Ltd can not be held responsible for any damage to the shock absorber/front fork/steering damper, vehicle, other property or injury to persons, if the instructions for mounting, usage and maintenance are not obeyed.

⚠ Warning!

If the suspension makes an abnormal noise, or the function is irregular, or if you notice any leakage from the product, stop the vehicle immediately and return the product to an Öhlins Service Centre.

⚠ Warning!

The product warranty shall only apply if the product has been operated and maintained in accordance with recommendations in this manual. If you have any questions regarding usage, service, inspection and/or maintenance contact Öhlins.

👁 Note!

When working with the Öhlins product, read the Vehicle Service Manual.

⚠ Warning!

This product was developed and designed exclusively for a specific vehicle model and shall only be installed on the intended vehicle model in its original condition as delivered from the vehicle manufacturer.

Contents

Figure 1 - Body assy	3
Figure 2 - Spring assy	4
Figure 3 - Damping assy+ Seal head assy.....	5
Figure 4 - Dividing assy	6
Figure 5 - Shaft assy.....	7

SAFETY SYMBOLS

In this manual, mounting instructions and other technical documents, important information concerning safety is distinguished by the following symbols:

The Safety Alert Symbol means: Warning! Your safety is involved.

⚠ Warning!

The Warning Symbol means: Failure to follow warning instructions can result in severe or fatal injury to anyone working with, inspecting or using the shock absorber, or to bystanders.

👁 Caution!

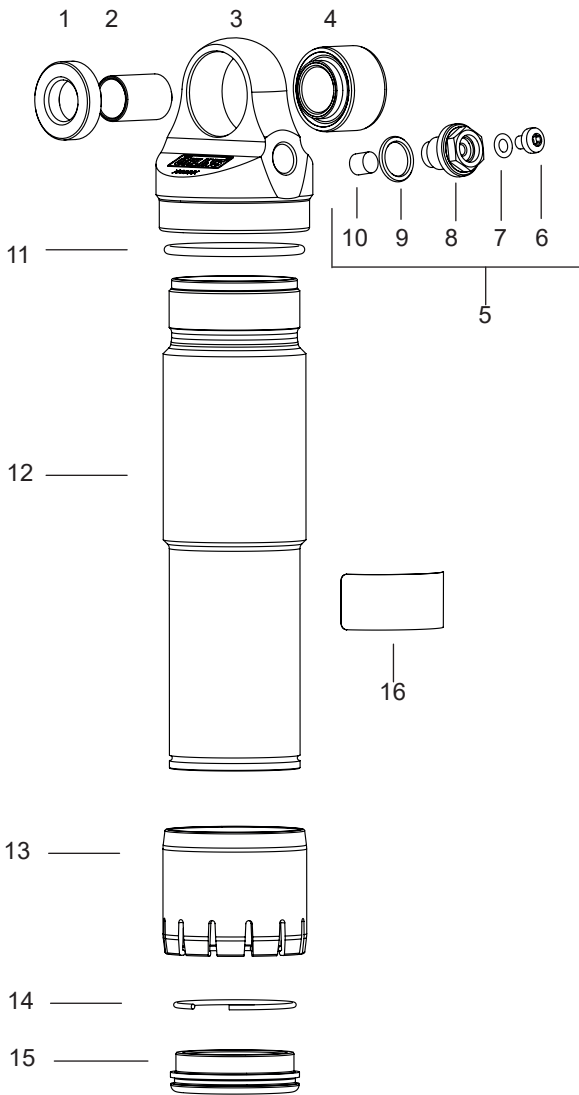
The Caution Symbol means: Special precautions must be taken to avoid damage to the shock absorber.

👁 Note!

The Note Symbol indicates information that is important regarding procedures.

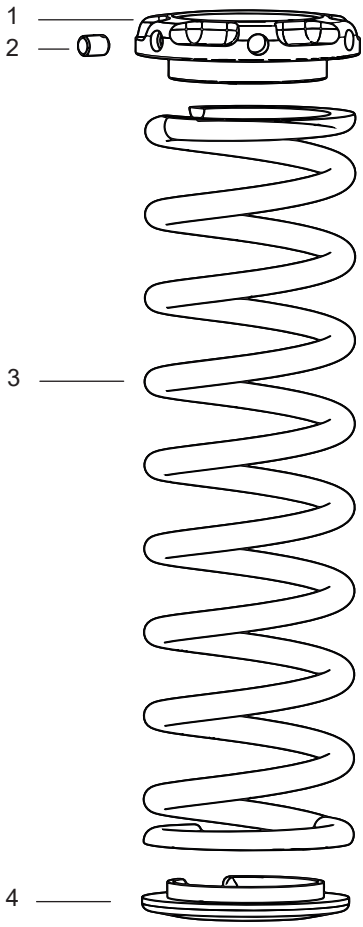
© Öhlins Asia Co.,Ltd. All rights reserved.
Any reprinting or unauthorized use without the written permission of Öhlins Asia Co.,Ltd is prohibited.

Figure 1 - Body assy



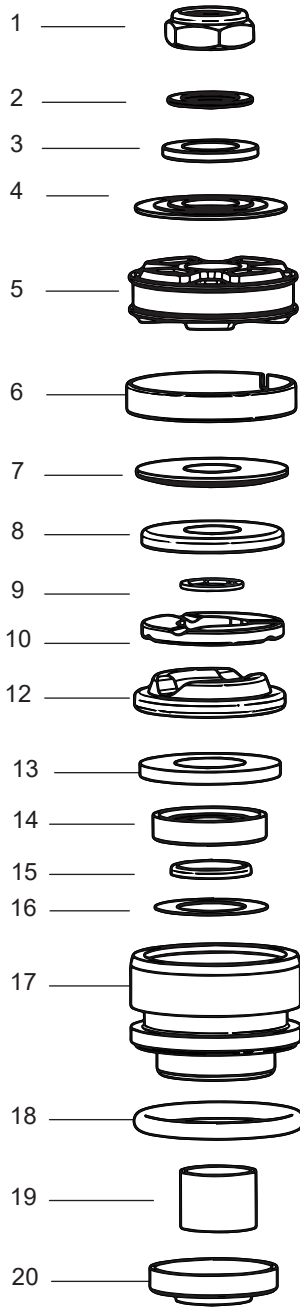
Pos	Part No	Pcs	Description	Notes
1-1	03118-08	1	Washer 12.8/24/6	
1-2	00123-17	1	Sleeve 12.7/14/19.5	
1-3	00124-15	1	Rubber bushing 14/26-20	
1-4	00201-019	1	Cylinder head 36/26 M10 Black	
1-5			Valve assy	
1-6	01050-01	1	Screw M4x5	
1-7	00338-59	1	O-ring 4.5x1.5	
1-8	00605-03	1	Valve M4/M10x1/16.2	
1-9	00338-07	1	O-ring 10.82x1.78	
1-10	00604-01	1	Rubber valve	
1-11	00338-02	1	O-ring 38x2.5	
1-12	67301-13	1	Cylinder tube 36/150 Al Black	
1-13	00417-02	1	Support sleeve	
1-14	00128-01	1	Circlip	
1-15	63065-03	1	End cap 36/14 black	
1-16	00196-02	1	Sticker "Warning"	

Figure 2 - Spring assy



Pos	Part No	Pcs	Description	Notes
2-1	03251-05	1	Spring adjuster black	
2-2	05410-02	1	Stop screw M6x8 nylon	
2-3	66420-026	1	Spring	
	66420-028	1	Spring	
	66420-030	1	Spring	
2-4	00116-10	1	Spring clip, black	

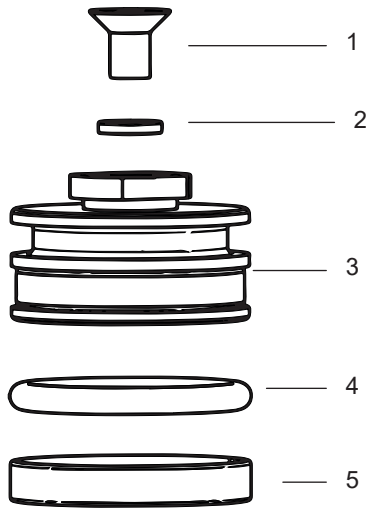
Figure 3 - Damping assy+Seal head assy



Pos	Part No	Pcs	Description	Notes
3-1	00539-01	1	Lock nut	
3-2	00578-01	2	Washer 12/18/1	
3-3	00519-07	1	Stop washer 12/20/2	
3-4			Shim stack rebound	See spec.
3-5	03377-40	1	Piston 12/36	
3-6	03078-01	1	Piston ring 36/6	
3-7			Shim stack compression	See spec.
3-8	03068-01	1	Valve stop	
3-9	00436-01	1	Circlip	
3-10	03269-02	1	Spacer 14/30/2 Black	
3-11	03164-08		Seal head assy	
3-12	03067-02	1	Stop rubber 15/32/7	
3-13	04752-02	1	Washer	
3-14	04717-02	1	Seal 14/24/5	
3-15	01032-09	1	Back-up ring	
3-16	04729-02	1	Shim 14.5/23.9/0.20	
3-17	63064-03	1	Seal head 14/36	
3-18	00338-09	1	O-ring 29.30x3.6	
3-19	01056-12	2	Bushing 14/16/12 £	
3-20	03070-05	1	Scraper 14	

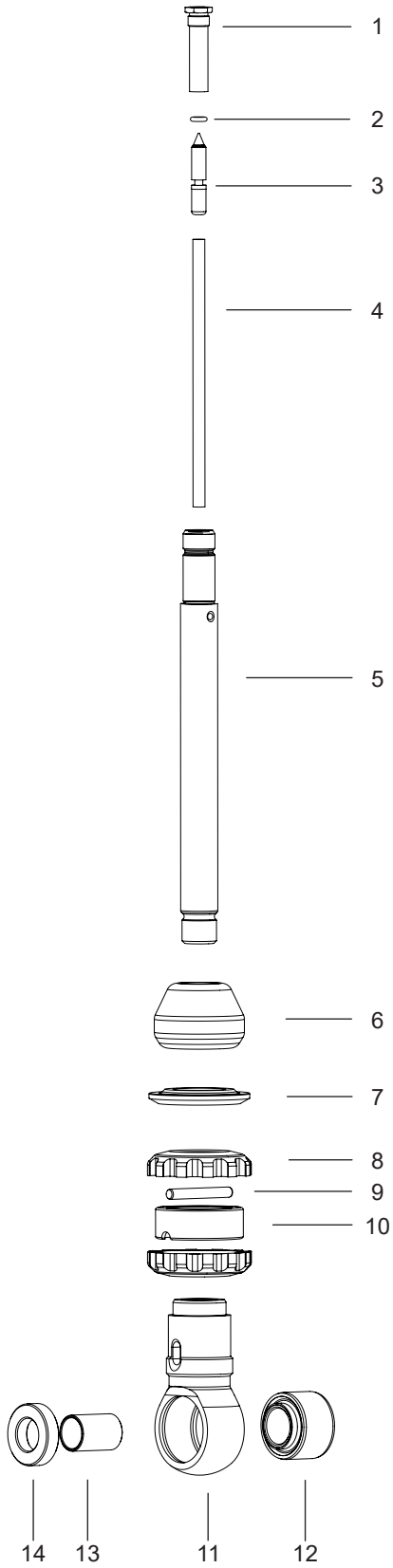
Seal head assy 11

Figure 4 - Dividing assy



Pos	Part No	Pcs	Description	Notes
4-1	00382-26	1	Screw MFT A2 M6x10	
4-2	00338-01	1	O-ring 6.07x1.78 NBR70	
4-3	00305-04	1	Dividing piston 36	
4-4	00338-28	1	O-ring 28x4 NBR70	
4-5	03078-01	1	Piston ring 36/6	

Figure 5 - Shaft assy



Pos	Part No	Pcs	Description	Notes
5-1	01021-03	1	Shaft jet bleed 4.0	
5-2	00338-14	1	O-ring 3.1x1.6 NBR70	
5-3	01055-03	1	Adjustment needle dia 4.0	
5-4	00566-83	1	Adj. shaft 103.6/4.3	
5-5	03062-24	1	Shaft 14/160	
5-6	03063-01	1	Bump rubber 14.1/34/25	
5-7	63117-02	1	Stop washer 20/38/5.5, black	
5-8	01016-01	2	Seal rebound adjuster	
5-9	01030-01	1	Pin 4x29.7 h8	
5-10	01128-01	1	Adjustment knob 25/33	
5-11	21154-07	1	End eye 14/50/26 black	
5-12	00124-15	1	Rubber bushing 14/26-20	
5-13	00123-17	1	Sleeve 12.7/14/19.5	
5-14	03118-08	1	Washer stainless 12.8/24/6	

Your Öhlins retailer:

Öhlins Asia Co.,Ltd
700/937 Moo5, Nongkhaka,
Phanthong Chonburi 20160
Thailand

Phone: +66 (0)38 212 291-6
Fax: +66 (0)38 212 297
www.ohlins.com



www.ohlins.com