

HD 143

Harley Davidson Sportster



Öhlins shock absorber 36 PRCLB

Your Öhlins shock absorber type 36 PRCLB features the following adjusters:

Compression damping adjuster

Adjustments are made on top of the reservoir.

Rebound damping adjuster

Adjuster wheel on the piston shaft above the end bracket.

Spring preload adjuster

Adjustments are made by turning the rings on the shock absorber body. Clockwise for harder adjustment, counter clockwise too release the preload.

Length adjuster

Adjustment is made by turning the end eye and tightening with the lock nut.

NOTE!

When delivered the Öhlins shock absorber is dialed to recommended settings for the specific brand and make of the motorcycle. If you have changed the setting check like this:

The adjusters have a normal right hand thread. Turn the damping adjusters clockwise to fully closed (pos. zero [0]). Turn counter clockwise to open and count the clicks until you reach the recommended number of clicks. See Setup data at last page.

CAUTION!

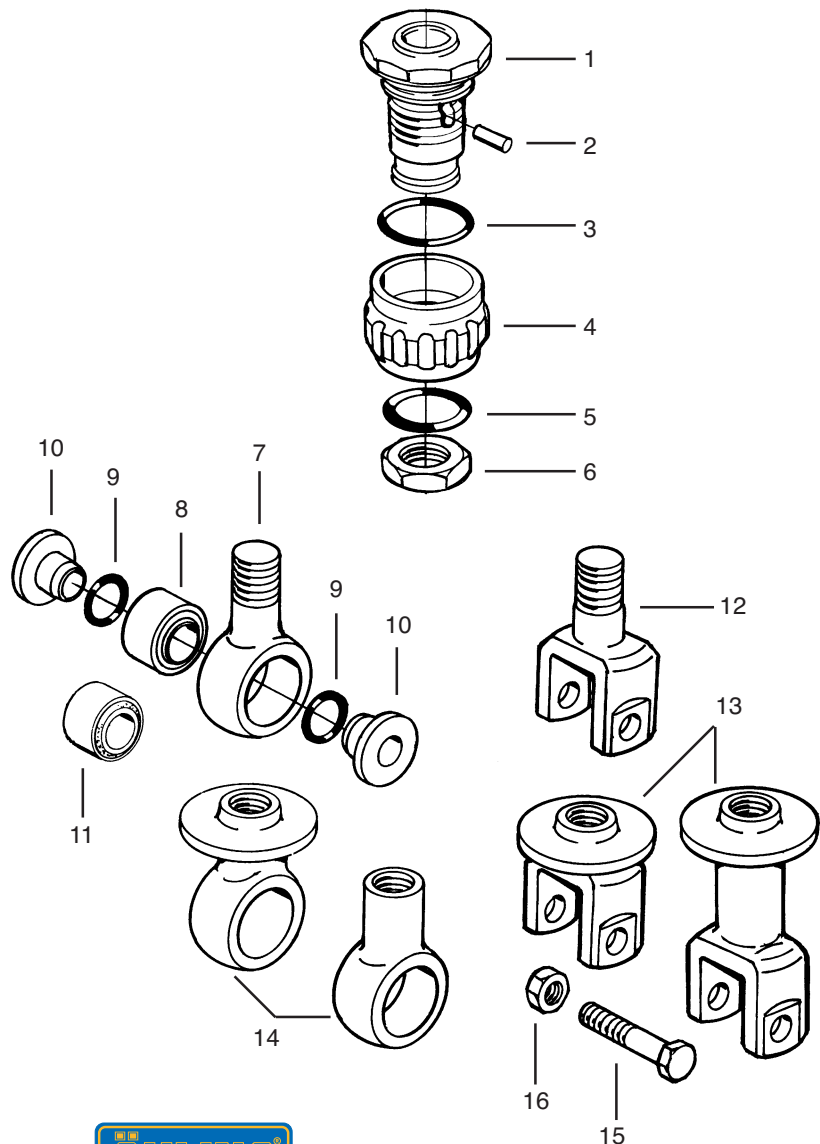
Do not use too much force, delicate sealing surfaces can be damaged.

HD 143

Harley Davidson Sportster

End eye

FigNo.	Part No	Description	Qty
02-01	03058-01	Shaft M13x1/37.5	2
02-06	03059-01	Nut M14x1/5	2
02-07	03061-11	End eye dia 25mm	2
02-10	00123-13	Sleeve 12.7/14/16.5 stainless	2
02-10	03118-08	Washer stainless 12.7/24/6	4
02-11	00124-10	Rubber bushing 14/25/17	2

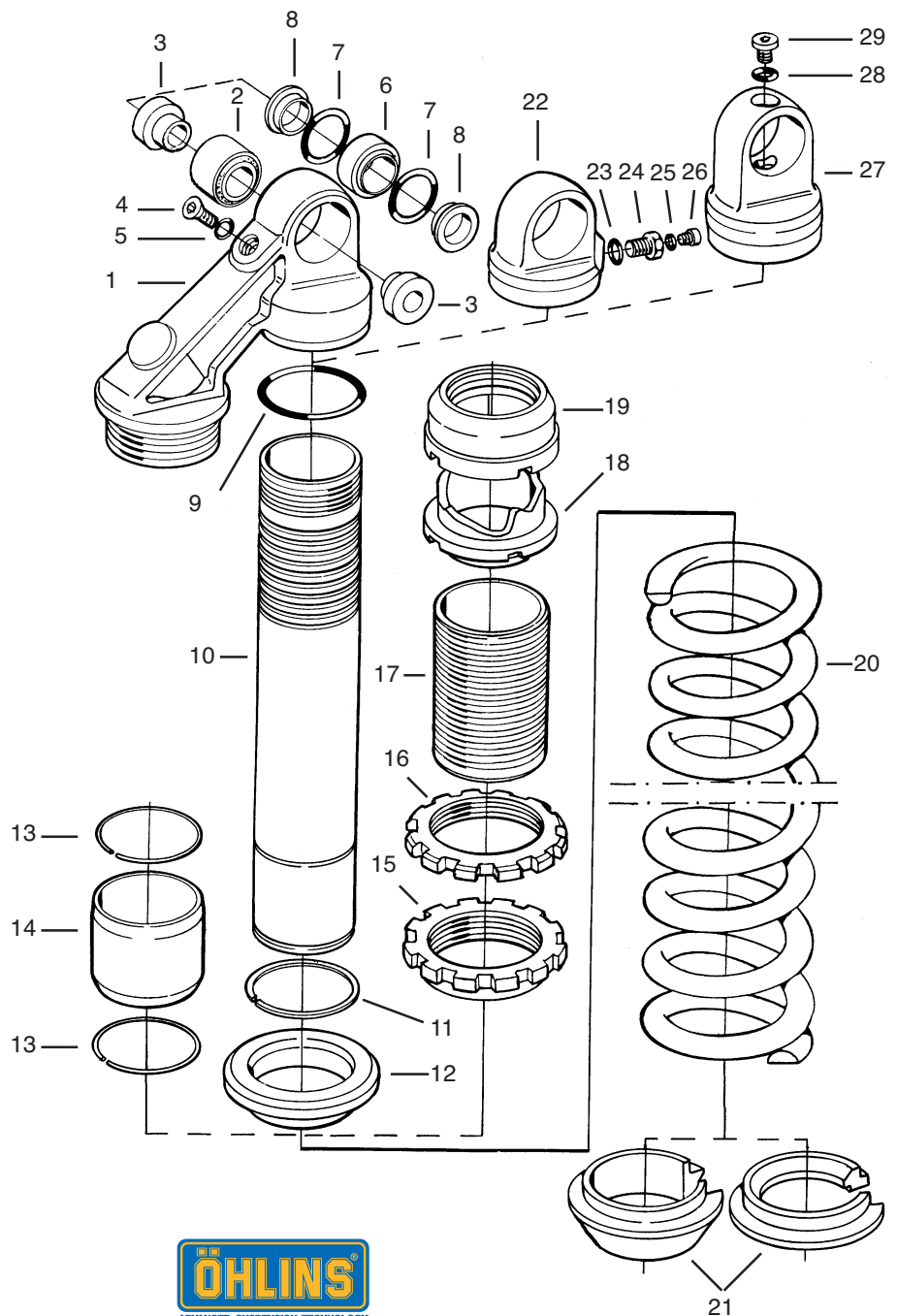


HD 143

Harley Davidson Sportster

Body tube

Fig No.	Part No	Description	Qty
03-01	00303-32	Cylinder head pb K36/25	2
03-02	00124-10	Rubber bushing 14/25/17	2
03-03	00123-13	Sleeve 12.7/14/16.5 stainless	2
03-04	00382-07	Screw MFT (DIN965) A2 M5x8	£ 2
03-05	00438-33	O-ring 5.6x1.6 NBR 70	2
03-08	03118-08	Washer stainless 12.7/24/6	4
03-09	00338-02	O-ring 38x2.5 NBR70	2
03-10	00300-10	Cylinder tube 36/149	2
03-11	00131-01	Circlip SW 40	2
03-13	00428-01	Circlip 36/1.5	4
03-14	00417-01	Support sleeve, spring 40.15/44/35	2
03-20	00380-03	Spring 46/200/prog 15-24 N/mm	2
03-21	00116-04	Spring clip silver	2

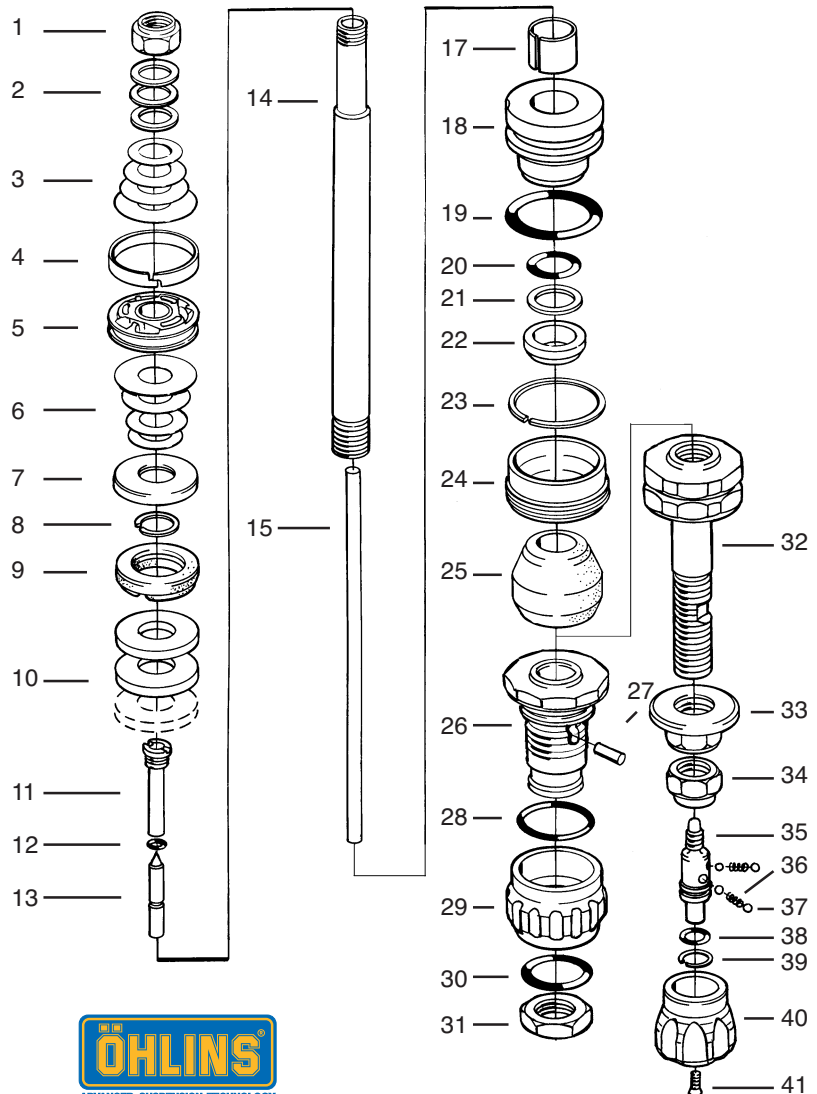


HD 143

Harley Davidson Sportster

Piston and shaft with rebound adjuster

Fig No.	Part No	Description	Qty
05-01	00539-01	Lock nut M12x1.25/7	2
05-02	00519-07	Stop washer 12/20/2 flat	2
05-03	01055-03	Adjustment needle dia 4.0	2
05-04	03078-01	Piston ring 36/6	2
05-05	03077-02	Piston 12/36/1.6 bleed	2
05-07	03068-01	Stop washer 12/30/3 flat	2
05-08	00436-01	Circlip AV 12	2
05-09	03067-01	Rubber stop 13/30/6	2
05-10	03066-03	Spacer 14/30/3	6
05-11	01021-03	Shaft jet bleed 4.0	2
05-12	00338-14	O-ring 3.1x1.6 NBR70	2
05-14	03062-01	Shaft 14/175	2
05-15	00566-64	Adj.shaft 119.6/4.5	2
05-18	03164-01	Seal head assy 14/36	2
05-23	00128-01	Circlip 40/1.5	2
05-24	03065-01	End cap 36/14	2
05-25	03063-01	Bump rubber 14.1/34/25 NITRIL 60IRH	2
05-27	01030-07	Pin 3x28 CP h8	2
05-28	00338-83	O-ring 24x2 NBR70	2
05-29	03057-01	Adjustment knob for rebound adjust	2
05-30	00338-25	O-ring 19.2x3 NBR70	2

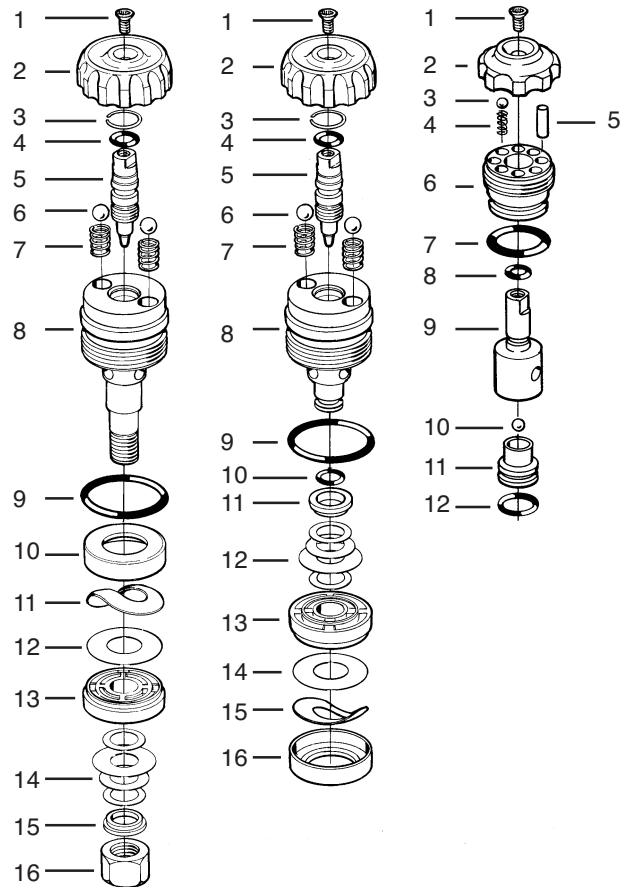


HD 143

Harley Davidson Sportster

Compression adjuster

Fig No.	Part No	Description	Qty
06-01	00828-01	Screw DIN966 Torx A2 M3x8	£ 2
06-02	03079-01	Knob compression adjuster APB	2
06-03	00884-03	Ball 3-G40-X46CR13	£ 4
06-04	03083-01	Spring 3/6.1/6.18	2
06-05	01030-05	Pin 3x8 CP m6 A1	2
06-06	03080-01	Threaded collar M18x1/11.8	2
06-07	00338-81	O-ring 13x1.5 NBR70	2
06-08	00338-82	O-ring 3.5x1.5 NBR70	2
06-09	03081-01	Shaft sleeve compression adjuster	2
06-11	03082-01	Seat, compression adjuster	2
06-12	00338-80	O-ring 6.5x1.6 NBR70	2

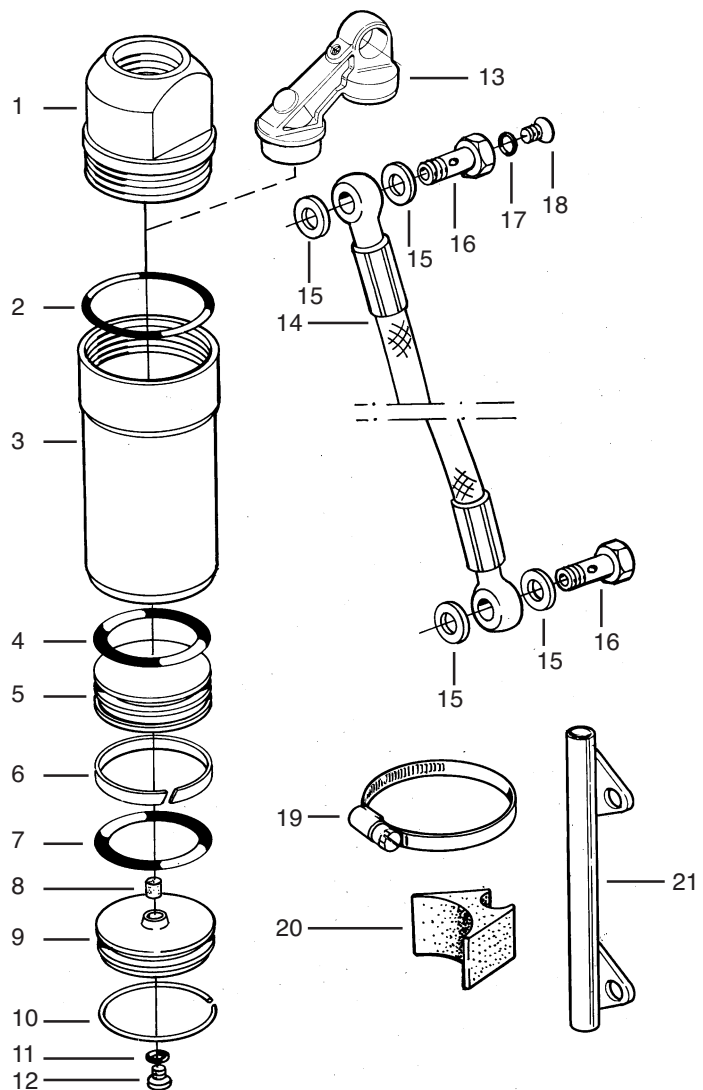


HD 143

Harley Davidson Sportster

External reservoir

Fig No.	Part No	Description	Qty
07-00	00191-01	Sticker "ÖHLINS" black/transp31x150	2
07-00	00196-01	Sticker "Warning"black/transp 17x53	2
07-02	00338-24	O-ring 40.87x3.53 NBR70	2
07-03	00302-02	Reservoir 44/ 90	2
07-04	00338-26	O-ring 33x5 FKM70	2
07-05	00305-01	Reservoir piston 44	2
07-06	00340-01	Teflon band dia 44/5 55-60d shore D	2
07-07	00338-04	O-ring 33x5 NBR70	1
07-09	00161-03	Reservoir top assy 44	2
07-10	00329-01	Circlip 48/1.5	2
07-11	00338-59	O-ring 4.5x1.5 NBR70	1
07-12	01050-01	Screw DIN 7985 Torx A2 M4x6	£ 1



HD 143

Harley Davidson Sportster

Hydraulic preloader

Fig No.	Part No	Description	Qty
08-00	03150-01	Hydraulic adjuster compl left	1
08-00	03150-02	Hydraulic adjuster compl right	1
08-01	00131-01	Circlip SW 40	2
08-02	03069-01	Sleeve	2
08-03	00338-61	O-ring 42.52x2.62 NBR70	2
08-04	00382-05	Screw MFT (DIN965) A2 M4x6 £	2
08-05	00338-59	O-ring 4.5x1.5 NBR70	2
08-05	00338-59	O-ring 4.5x1.5 NBR70	2
08-07	03075-01	Piston M10/17 hydr.preload adj twin	2
08-08	00338-71	O-ring 12.37x2.62 NBR70	2
08-08	00338-71	O-ring 12.37x2.62 NBR70	2
08-09	03074-01	Adjustment screw 10/44.5	2
08-10	03073-01	Thrust washer LS 0821	2
08-11	01023-01	Thrust needle bearing AXK0821	2
08-12	03072-01	Thrust washer AS 0821	2
08-13	00338-60	O-ring 8.1x1.6 NBR70	2
08-13	00338-60	O-ring 8.1x1.6 NBR70	2
08-14	03071-01	Cover hydraulic preload adjuster	2
08-15	03083-01	Spring 3/6.1/6.18	2
08-16	00884-03	Ball 3-G40-X46CR13 £	2
08-17	03076-01	Knob hydraulic preload adjuster APB	2
08-18	00382-08	Screw MF6S 5x12 stainless £	2
08-19	01030-06	Pin 2x7 CP m6 A1	4

