

Front Fork kit Adventure Yamaha XT1200Z (KYB)

FKA 1060

Spare Parts List



SAFETY PRECAUTIONS

General Warnings

Note!

The shock absorber/front fork/steering damper is an important part of the vehicle and will affect the stability.

Note!

Read and ensure you understand the information in this manual and other technical documents provided by Öhlins, before using the product.

Note!

Öhlins Racing AB can not be held responsible for any damage to the shock absorber/front fork/steering damper, vehicle, other property or injury to persons, if the instructions for mounting, usage and maintenance are not followed exactly.

Warning!

After installing the Öhlins product, take a test ride at low speed to ensure your vehicle has maintained stability.

Warning!

If the suspension makes an abnormal noise, or the function is irregular, or if you notice any leakage from the product, stop the vehicle immediately and return the product to an Öhlins Service Centre.

Warning!

The product warranty shall only apply if the product has been operated and maintained in accordance with recommendations in this manual. If you have any questions regarding usage, service, inspection and/or maintenance please contact Öhlins.

Note!

When working with the Öhlins product, always read the Vehicle Service Manual.

Safety Symbols

In this manual, mounting instructions and other technical documents, important information concerning safety is distinguished by the following symbols:



The Safety Alert Symbol means: Warning! Your safety is involved.

Warning!

The Warning Symbol means: Failure to follow warning instructions can result in severe or fatal injury to anyone working with, inspecting or using the shock absorber, or to bystanders.

Caution!

The Caution Symbol means: Special precautions must be taken to avoid damage to the shock absorber.

Note!

The Note Symbol indicates information that is important regarding procedures.

Product Specific Warnings

Warning!

This product was developed and designed exclusively for a specific vehicle model and shall only be installed on the intended vehicle model in its original condition as delivered from the vehicle manufacturer.

Warning!

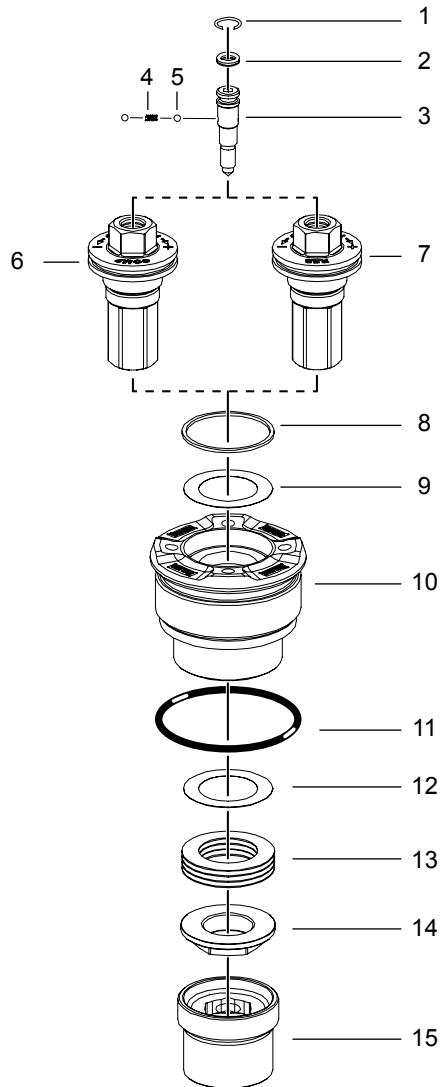
This product contains pressurized nitrogen gas (N₂). Do not open, service or modify this product without proper education (authorized Öhlins dealer/distributor) and proper tools.

© Öhlins Racing AB. All rights reserved. Any reprinting or unauthorized use without the written permission of Öhlins Racing AB is prohibited.

CONTENTS

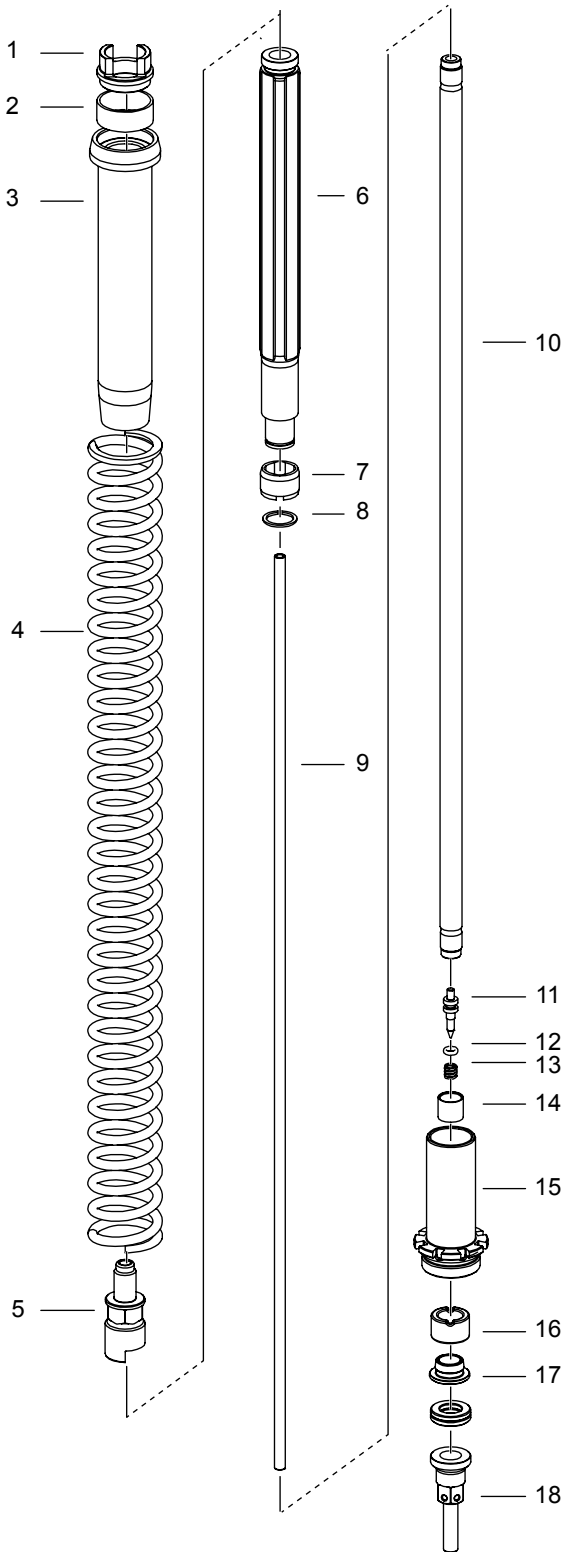
Figure 1 - Top cap..... 3
 Figure 2 - Shaft assembly..... 4
 Figure 3 - Damping unit..... 5

Figure 1 - Top cap



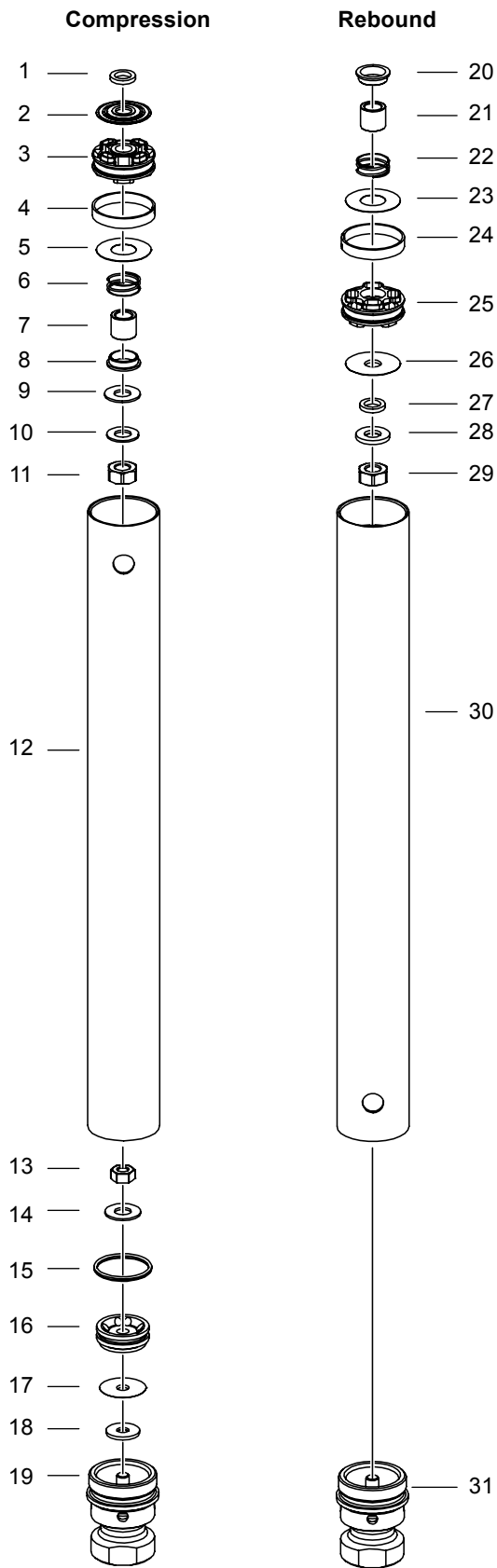
Pos	Part No	Pcs	Description	Notes
1-1	01473-01	1	Circlip	
1-2	00577-01	1	O-ring	
1-3	01467-02	1	Adjuster	
1-4	00884-04	2	Ball	
1-5	01474-01	1	Spring	
1-6	03312-07	1	Adjuster	Compression
1-7	03312-08	1	Adjuster	Rebound
1-8	00338-72	1	O-ring	
1-9	03309-01	1	Shim	
1-10	21653-05	1	Housing	
1-11	00576-02	1	O-ring	
1-12	03309-01	1	Shim	
1-13	03317-01	4	Spring washer	
1-14	03313-01	1	Nut	
1-15	03315-01	1	Preload socket	

Figure 2 - Shaft assembly



Pos	Part No	Pcs	Description	Notes
2-1	03316-03	1	Spring support	
2-2	01460-66	1	Preload tube	
2-3	21757-06	1	Guide sleeve	
2-4	-	-	Main spring	See MI
2-5	21756-01	1	Shaft extension	
2-6	21759-06	1	Oil lock tube	
2-7	21753-01	1	Oil lock piston	
2-8	00131-05	1	Circlip	
2-9	02366-22	1	Adjustment rod	
2-10	21637-05	1	Shaft	
2-11	01698-42	1	Needle	
2-12	00438-31	1	O-ring	
2-13	02322-01	1	Spring	
2-14	00110-03	1	Bushing	
2-15	21754-01	1	Seal head	
2-16	21752-01	1	Top out rubber	
2-17	21751-01	1	Sleeve	
2-18	01654-13	1	Piston holder	

Figure 3 - Damping unit



Pos	Part No	Pcs	Description	Notes
3-1	21750-xx	1	Washer comp.	see spec.card
3-2	-	-	Shim stack comp.	see spec.card
3-3	21645-02	1	Piston	compression
3-4	01447-03	1	Piston ring	compression
3-5	00520-26	1	Check valve shim	compression
3-6	01693-03	1	Check valve spring	compression
3-7	01669-06	1	Sleeve	compression
3-8	01672-01	1	Spring collar	compression
3-9	00120-01	1	Washer	compression
3-10	01674-01	1	Washer	compression
3-11	01657-01	1	Nut	compression
3-12	21646-02	1	Cylinder tube	compression
3-13	01657-02	1	Nut	base valve
3-14	00578-04	2	Washer	base valve
3-15	00438-03	1	O-ring	base valve
3-16	21755-01	1	Valve	base valve
3-17	-	-	Shim stack	see spec.card
3-18	01449-xx	1	Washer	see spec.card
3-19	21758-05	1	Adaptor	base valve
3-20	01672-01	1	Spring collar	rebound
3-21	01669-06	1	Sleeve	rebound
3-22	01693-03	1	Check valve spring	rebound
3-23	00520-26	1	Check valve shim	rebound
3-24	01447-03	1	Piston ring	rebound
3-25	21645-02	1	Piston	rebound
3-26	-	-	Shim stack rebound	see spec. card
3-27	21750-xx	1	Washer reb.	see spec. card
3-28	01674-01	1	Washer	
3-29	01657-01	1	Nut	
3-30	21646-02	1	Cylinder tube	
3-31	21758-05	1	Adaptor	

Your Öhlins retailer:



Öhlins Racing AB
Box 722
SE-194 27, Upplands Väsby
Sweden

Phone: +46 (0)8 590 025 00
Fax: +46 (0)8 590 025 80
www.ohlins.com



www.ohlins.com