

*Front Fork kit for BMW S1000RR, BMW M1000RR*

***FGRT 232 1***

*Spare Parts List*



## SAFETY PRECAUTIONS

### **⚠ Warning!**

The shock absorber/front fork/steering damper is an important part of the vehicle and will affect the stability.

### **⚠ Warning!**

After installing the Öhlins product, take a test ride at low speed to make sure your vehicle has maintained stability.

### **⚠ Warning!**

Some of Öhlins products contain pressurized nitrogen gas (N<sub>2</sub>). Do not open, service or modify pressurized products without proper education (approved Öhlins dealer/distributor) and proper tools.

### **👁 Note!**

Read and ensure you understand the information in this manual and other technical documents provided by Öhlins, before you use the product.

### **👁 Note!**

Öhlins Racing AB can not be held responsible for any damage to the shock absorber/front fork/steering damper, vehicle, other property or injury to persons, if the instructions for mounting, usage and maintenance are not obeyed.

### **⚠ Warning!**

If the suspension makes an abnormal noise, or the function is irregular, or if you notice any leakage from the product, stop the vehicle immediately and return the product to an Öhlins Service Centre.

### **⚠ Warning!**

The product warranty shall only apply if the product has been operated and maintained in accordance with recommendations in this manual. If you have any questions regarding usage, service, inspection and/or maintenance contact Öhlins.

### **👁 Note!**

When working with the Öhlins product, read the Vehicle Service Manual.

### **⚠ Warning!**

This product was developed and designed exclusively for a specific vehicle model and shall only be installed on the intended vehicle model in its original condition as delivered from the vehicle manufacturer.

## Contents

Figure 1 - Top Cap .....	3
Figure 2 - External Components .....	4
Figure 3 - Shaft Assembly .....	5
Figure 4 - Damping unit .....	6

## SAFETY SYMBOLS

In this manual, mounting instructions and other technical documents, important information concerning safety is distinguished by the following symbols:



The Safety Alert Symbol means: Warning! Your safety is involved.

### **⚠ Warning!**

The Warning Symbol means: Failure to follow warning instructions can result in severe or fatal injury to anyone working with, inspecting or using the shock absorber, or to bystanders.

### **👉 Caution!**

The Caution Symbol means: Special precautions must be taken to avoid damage to the shock absorber.

### **👁 Note!**

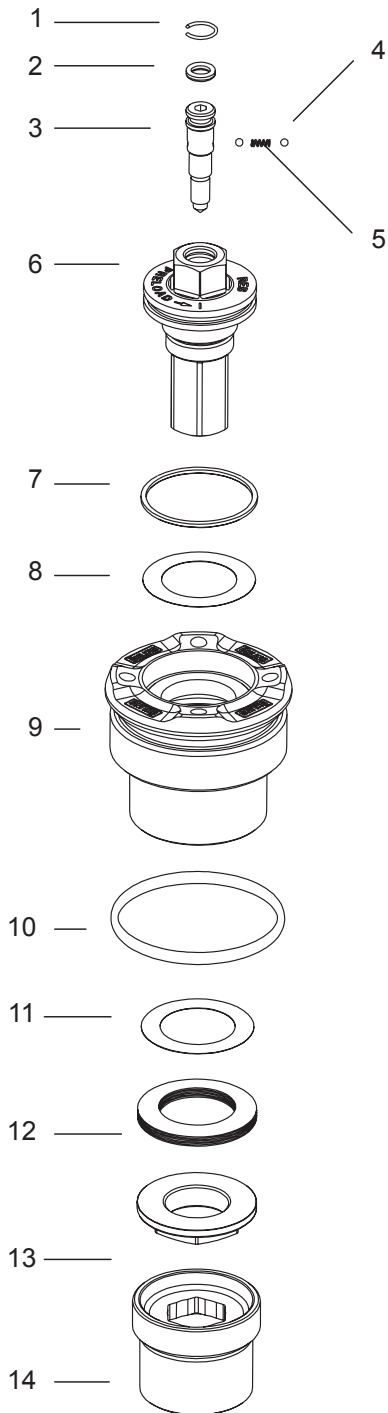
The Note Symbol indicates information that is important regarding procedures.

© Öhlins Racing AB. All rights reserved.

Any reprinting or unauthorized use without the written permission of Öhlins Racing AB is prohibited.

# FGRT 232 1

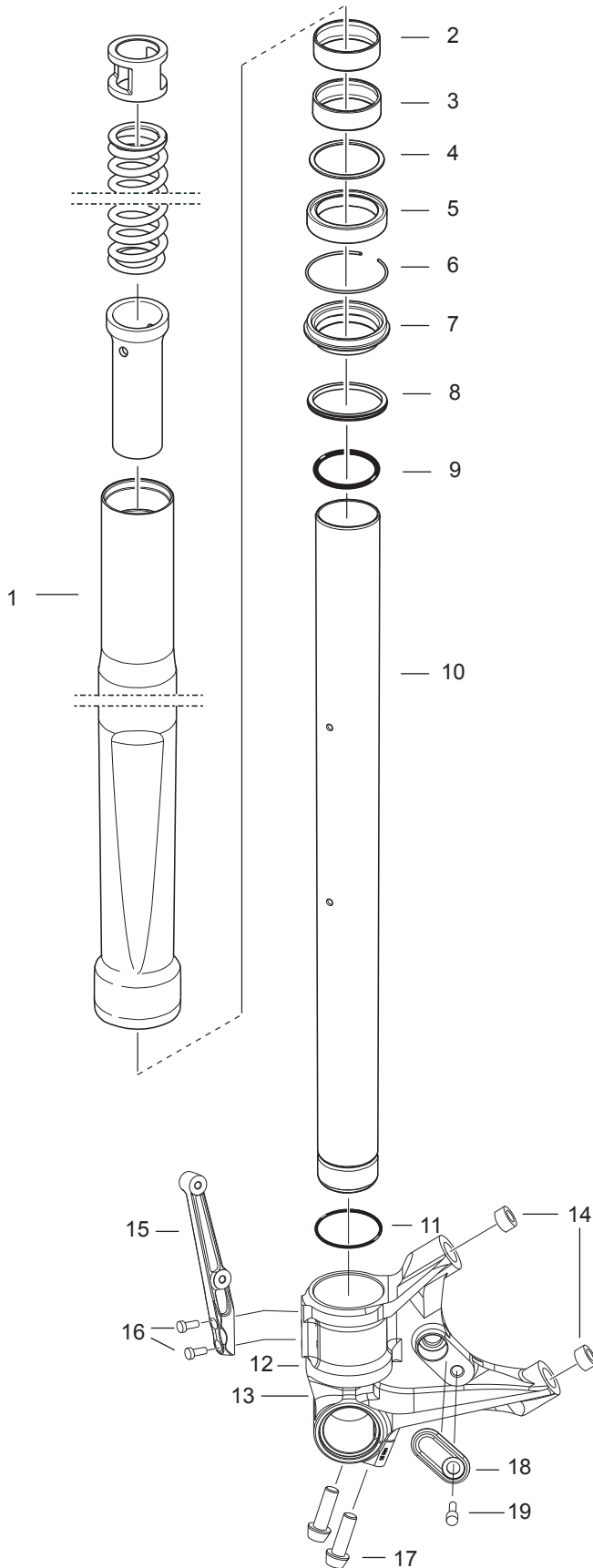
Figure 1 - Top Cap



Pos	Part No	Pcs	Description	Notes
1-1	01473-01	2	Circlip	
1-2	00577-01	2	O-ring	
1-3	01467-02	2	Adjuster	
1-4	00884-04	4	Ball	
1-5	01474-01	2	Spring	
1-6	03312-07	1	Adjuster	comp.
1-6	03312-08	1	Adjuster	rebound
1-7	00338-72	2	O-ring	
1-8	03309-01	2	Shim	
1-9	21653-18	2	Housing	
1-10	00576-02	2	O-ring	
1-11	03309-01	2	Shim	
1-12	03317-01	8	Spring washer	
1-13	03313-01	2	Nut	
1-14	03315-01	2	Preload socket	

# FGRT 232 1

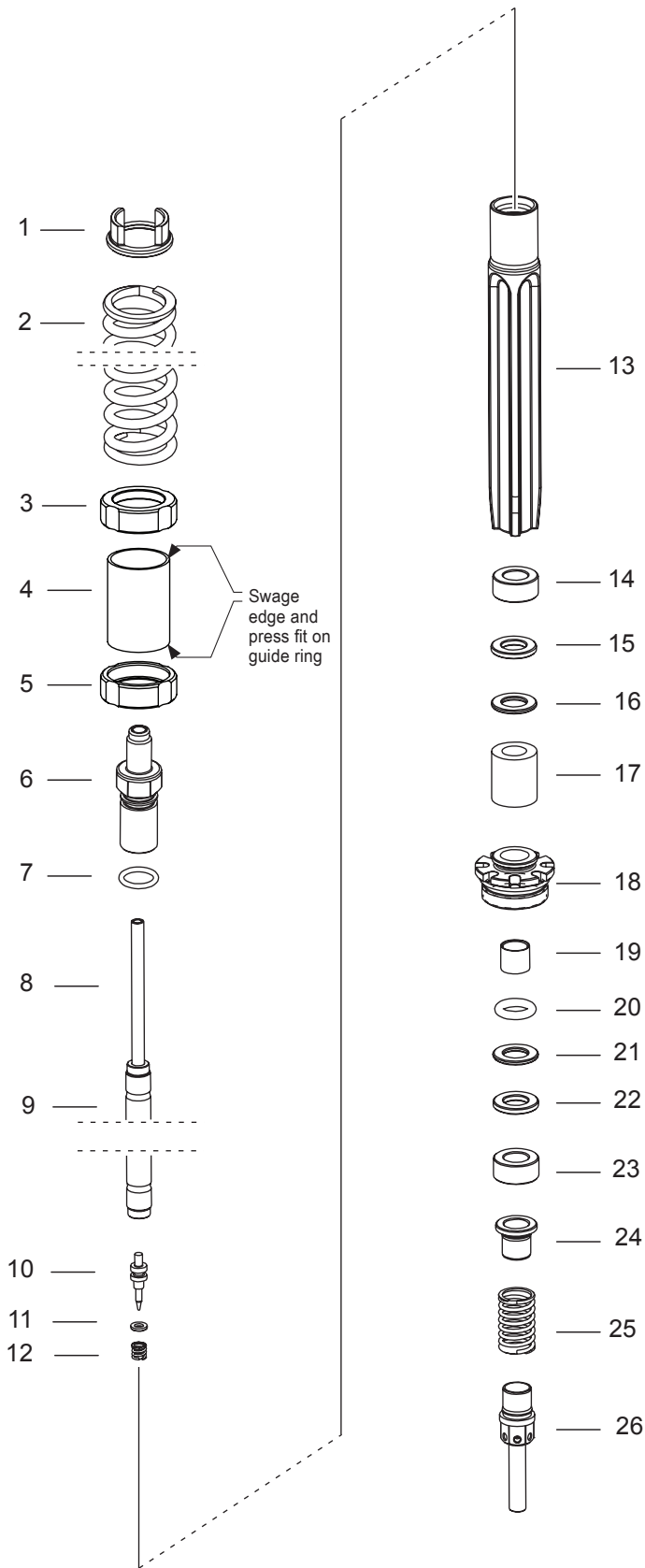
Figure 2 - External Components



Pos	Part No	Pcs	Description	Notes
2-1	21630-29	2	Outer tube	
2-2	04725-01	2	Bushing	upper
2-3	04724-01	2	Bushing	lower
2-4	04758-01	2	Washer	
2-5	04720-02	2	Seal	
2-6	04759-01	2	Circlip	
2-7	04721-03	2	Scraper	
2-8	01565-04	1	Stroke indicator	
2-9	00338-54	1	O-ring	
2-10	21634-03	2	Inner tube	
2-11	00338-63	2	O-ring	
2-12	21664-45	1	Fork bottom	right
2-13	21664-46	1	Fork bottom	left
2-14	01669-05	4	Caliper spacer	
2-15	21665-20	2	Fender bracket	
2-16	01046-38	4	Screw	
2-17	01240-09	4	Screw	

# FGRT 232 1

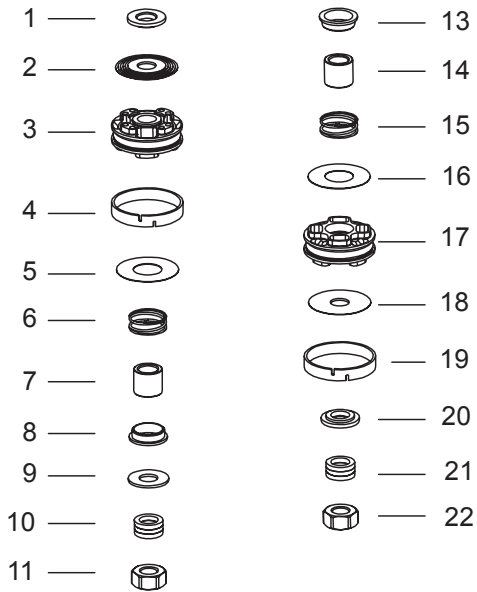
Figure 3 - Shaft Assembly



Pos	Part No	Pcs	Description	Notes
3-1	03316-02	2	Spring support	
3-2	08790-85	-	Spring	or 04744-85
	08790-90	-	Spring	or 04744-90
	08790-95	-	Spring	or 04744-95
	08790-10	2	Spring	or 04744-10
	08790-05	-	Spring	or 04744-05
	08790-11	-	Spring	or 04744-11
3-3	01438-04	2	Guide ring	
3-4	01460-71	2	Preload tube 126 mm	Standard stroke 120 mm
3-5	01438-04	2	Guide ring	
3-6	03314-12	2	Shaft extension	
3-7	00338-76	2	O-ring	
3-8	02366-18	2	Adjustment rod	
3-9	21637-03	2	Shaft	
3-10	01698-15	2	Needle	
3-11	00438-31	2	O-ring	
3-12	02322-01	2	Spring	
3-13	21663-03	2	Guide sleeve	
3-14	21620-xx		Spacer	See Spec.card
3-15	21620-xx		Spacer	See Spec.card
3-16	21620-xx		Spacer	See Spec.card
3-17	01580-01	2	Bump rubber	
3-18	21647-01	2	Seal head	
3-19	00110-03	2	Bushing	
3-20	00438-28	2	O-ring	
3-21	21620-xx	4	Spacer	See Spec.card
3-22	21620-xx	2	Spacer	See Spec.card
3-23	21620-xx	2	Spacer	See Spec.card
3-24	01653-01	2	Sleeve top out spring	
3-25	01585-01	2	Top out spring	
3-26	01654-03	2	Piston holder	

# FGRT 232 1

Figure 4 - Damping unit



Pos	Part No	Pcs	Description	Notes
4-1	21750-16	1	Clamp washer	See Spec.card
4-2	-	-	Shim stack	See Spec.card
4-3	21645-10	1	Piston	Compression
4-4	01447-03	1	Piston ring	Compression
4-5	00520-26	1	Check valve shim	Compression
4-6	01693-03	1	Check valve spring	Compression
4-7	01669-06	1	Sleeve	Compression
4-8	01672-01	1	Spring collar	Compression
4-9	00120-01	1	Washer	Compression
4-10	01674-01	3	Washer	Compression
4-11	01657-01	1	Nut	Compression
4-12	21646-01	1	Cylinder tube	Compression
4-13	01672-01	1	Spring collar	Rebound
4-14	01669-06	1	Sleeve	Rebound
4-15	01693-03	1	Check valve spring	Rebound
4-16	00520-26	1	Check valve shim	Rebound
4-17	21645-10	1	Piston	Rebound
4-18	-	-	Shim stack	See Spec.card
4-19	01447-03	1	Piston ring	Rebound
4-20	21750-16	1	Clamp washer	See Spec.card
4-21	01674-01	3	Washer	Rebound
4-22	01657-01	1	Nut	Rebound
4-23	21646-01	1	Cylinder tube	Rebound
4-24	21648-06	2	Adaptor	

Your Öhlins retailer:

Öhlins Racing AB  
Box 722  
SE-194 27, Upplands Väsby  
Sweden

Phone: +46 (0)8 590 025 00  
Fax: +46 (0)8 590 025 80  
[www.ohlins.com](http://www.ohlins.com)



[www.ohlins.com](http://www.ohlins.com)