

Front Fork kit for Kawasaki Ninja H2

FGRT 2210

Spare Parts List



ADVANCED SUSPENSION TECHNOLOGY

SAFETY PRECAUTIONS

⚠ Warning!

The shock absorber/front fork/steering damper is an important part of the vehicle and will affect the stability.

⚠ Warning!

After installing the Öhlins product, take a test ride at low speed to make sure your vehicle has maintained stability.

⚠ Warning!

Some of Öhlins products contain pressurized nitrogen gas (N₂). Do not open, service or modify pressurized products without proper education (approved Öhlins dealer/distributor) and proper tools.

👁 Note!

Read and ensure you understand the information in this manual and other technical documents provided by Öhlins, before you use the product.

👁 Note!

Öhlins Racing AB can not be held responsible for any damage to the shock absorber/front fork/steering damper, vehicle, other property or injury to persons, if the instructions for mounting, usage and maintenance are not obeyed.

⚠ Warning!

If the suspension makes an abnormal noise, or the function is irregular, or if you notice any leakage from the product, stop the vehicle immediately and return the product to an Öhlins Service Centre.

⚠ Warning!

The product warranty shall only apply if the product has been operated and maintained in accordance with recommendations in this manual. If you have any questions regarding usage, service, inspection and/or maintenance contact Öhlins.

👁 Note!

When working with the Öhlins product, read the Vehicle Service Manual.

⚠ Warning!

This product was developed and designed exclusively for a specific vehicle model and shall only be installed on the intended vehicle model in its original condition as delivered from the vehicle manufacturer.

Contents

Figure 1 - Top Cap	3
Figure 2 - Shaft Assembly	4
Figure 3 - Damping unit	5

SAFETY SYMBOLS

In this manual, mounting instructions and other technical documents, important information concerning safety is distinguished by the following symbols:



The Safety Alert Symbol means: Warning! Your safety is involved.

⚠ Warning!

The Warning Symbol means: Failure to follow warning instructions can result in severe or fatal injury to anyone working with, inspecting or using the shock absorber, or to bystanders.

👁 Caution!

The Caution Symbol means: Special precautions must be taken to avoid damage to the shock absorber.

👁 Note!

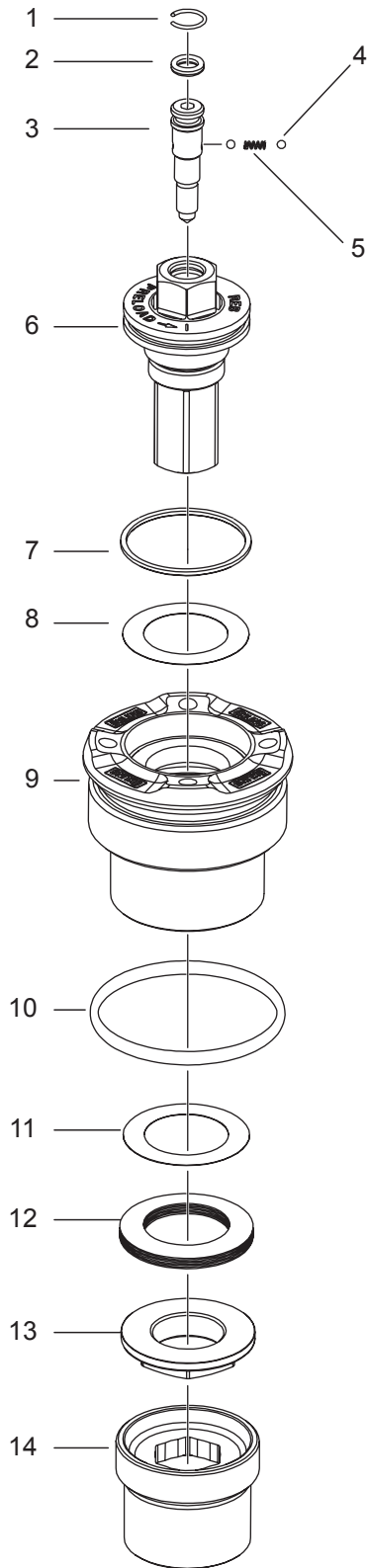
The Note Symbol indicates information that is important regarding procedures.

© Öhlins Racing AB. All rights reserved.

Any reprinting or unauthorized use without the written permission of Öhlins Racing AB is prohibited.

FGRT 2210

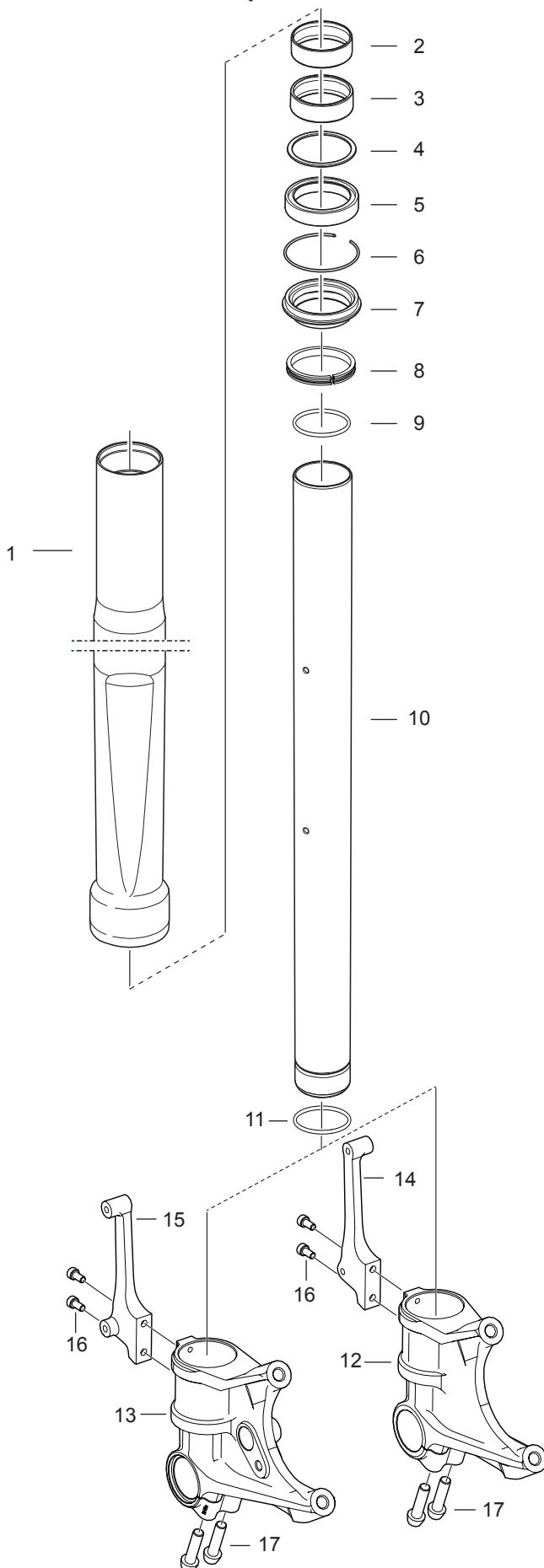
Figure 1 - Top Cap



Pos	Part No	Pcs	Description	Notes
1-1	01473-01	2	Circlip	
1-2	00577-01	2	O-ring	
1-3	01467-02	2	Adjuster	
1-4	00884-04	4	Ball	
1-5	01474-01	2	Spring	
1-6	03312-07	1	Adjuster	Compression
1-6	03312-08	1	Adjuster	Rebound
1-7	00338-72	2	O-ring	
1-8	03309-01	2	Shim	
1-9	21653-17	2	Housing	
1-10	00576-02	2	O-ring	
1-11	03309-01	2	Shim	
1-12	03317-01	8	Spring washer	
1-13	03313-01	2	Nut	
1-14	03315-01	2	Preload socket	

FGRT 2210

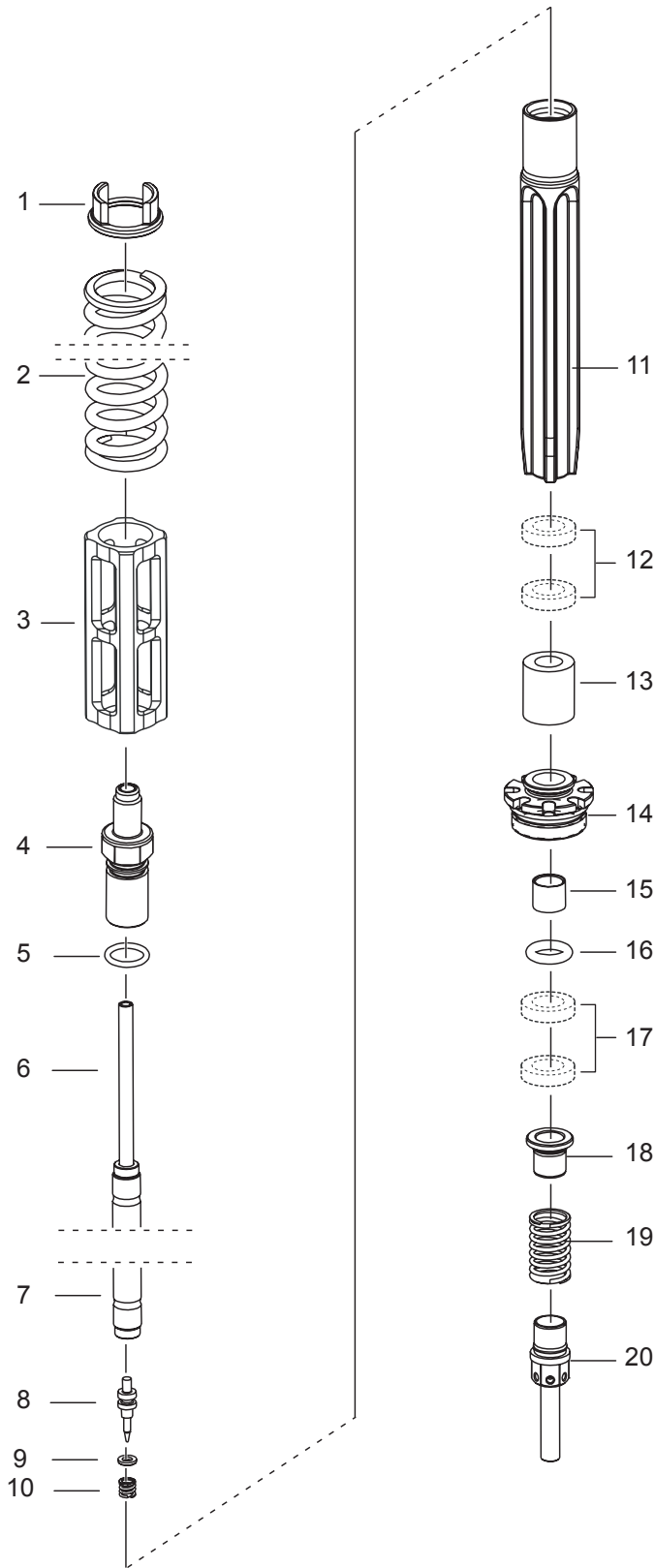
Figure 2 - External components



Pos	Part No	Pcs	Description	Notes
2-1	21630-24	2	Outer tube	
2-2	04725-01	2	Bushing	Upper
2-3	04724-01	2	Bushing	Lower
2-4	04758-01	2	Washer	
2-5	04720-02	2	Seal	
2-6	04759-01	2	Circlip	
2-7	04721-03	2	Scraper	
2-8	01565-04	1	Stroke indicator	Right leg only
2-9	00338-54	1	O-ring	Right leg only
2-10	21634-02	2	Inner tube	
2-11	00338-63	2	O-ring	
2-12	21664-27	1	Fork bottom	Right
2-13	21664-28	1	Fork bottom	Left
2-14	21665-18	1	Fender bracket	Right
2-15	21665-19	1	Fender bracket	Left
2-16	01046-38	4	Screw M5x10	Front and rear fender bracket
2-17	01240-09	4	Screw	

FGRT 2210

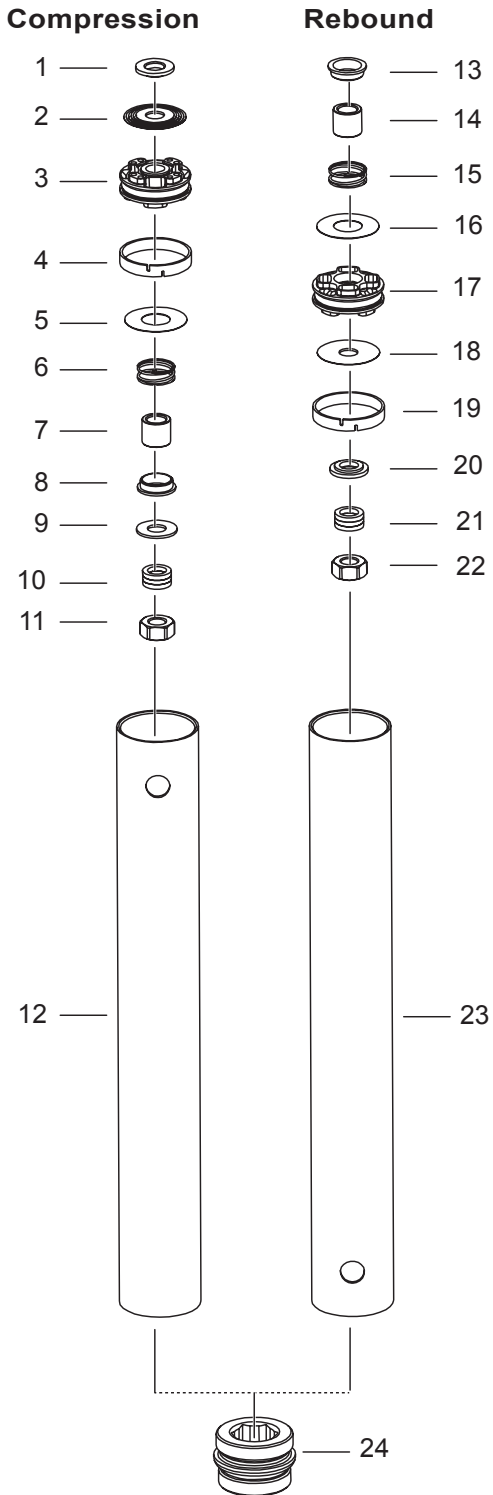
Figure 3 - Shaft Assembly



Pos	Part No	Pcs	Description	Notes
3-1	03316-02	2	Spring support	
3-2	08790-85	-	Spring	or 2 pcs 04744-85
	08790-90	-	Spring	or 2 pcs 04744-90
	08790-95	-	Spring	or 2 pcs 04744-95
	08790-10	-	Spring	or 2 pcs 04744-10
	08790-05	1	Spring	or 2 pcs 04744-05
	08790-11	-	Spring	or 2 pcs 04744-11
3-3	21632-04	2	Preload Tube	
3-4	03314-12	2	Shaft extension	
3-5	00338-76	2	O-ring	
3-6	02366-18	2	Adjustment rod	
3-7	21637-03	2	Shaft	
3-8	01698-15	2	Needle	
3-9	00438-31	2	O-ring	
3-10	02322-01	2	Spring	
3-11	21663-02	2	Guide sleeve	
3-12	21620-02	4	Spacer	
	21620-03	2	Spacer	
	21620-10	4	Spacer	
3-13	01580-01	2	Bump rubber	
3-14	21647-01	2	Seal head	
3-15	00110-03	2	Bushing	
3-16	00438-28	2	O-ring	
3-17	21620-02	2	Spacer	
	21620-03	6	Spacer	
	21620-10	6	Spacer	
3-18	01653-01	2	Sleeve top out spring	
3-19	01585-01	2	Top out spring	
3-20	01654-03	2	Piston holder	

FGRT 2210

Figure 4 - Damping unit



Pos	Part No	Pcs	Description	Notes
4-1	21750-16	1	Washer	Compression
4-2	-	-	Shim stack	See Spec.card
4-3	21645-10	1	Piston	Compression
4-4	01447-03	1	Piston ring	Compression
4-5	00520-26	1	Check valve shim	Compression
4-6	01693-03	1	Check valve spring	Compression
4-7	01669-06	1	Sleeve	Compression
4-8	01672-01	1	Spring collar	Compression
4-9	00120-01	1	Washer	Compression
4-10	01674-01	3	Washer	Compression
4-11	01657-01	1	Nut	Compression
4-12	21646-01	1	Cylinder tube	Compression
4-13	01672-01	1	Spring collar	Rebound
4-14	01669-06	1	Sleeve	Rebound
4-15	01693-03	1	Check valve spring	Rebound
4-16	00520-26	1	Check valve shim	Rebound
4-17	21645-10	1	Piston	Rebound
4-18	-	-	Shim stack	See Spec.card
4-19	01447-03	1	Piston ring	Rebound
4-20	21750-16	1	Washer	Rebound
4-21	01674-01	3	Washer	Rebound
4-22	01657-01	1	Nut	Rebound
4-23	21646-01	1	Cylinder tube	Rebound
4-24	21648-06	2	Adaptor	

Your Öhlins retailer:

Öhlins Racing AB
Box 722
SE-194 27, Upplands Väsby
Sweden

Phone: +46 (0)8 590 025 00
Fax: +46 (0)8 590 025 80
www.ohlins.com



www.ohlins.com