

*Front Fork RXF Kawasaki KX450F*

***FGKA 2096 0***

*Spare Parts List*



ADVANCED SUSPENSION TECHNOLOGY

## General Warnings

### **Note!**

The shock absorber/front fork/steering damper is an important part of the vehicle and will affect the stability.

### **Note!**

Read and ensure you understand the information in this manual and other technical documents provided by Öhlins, before using the product.

### **Note!**

Öhlins Racing AB can not be held responsible for any damage to the shock absorber/front fork/steering damper, vehicle, other property or injury to persons, if the instructions for mounting, usage and maintenance are not followed exactly.

### **Warning!**

After installing the Öhlins product, take a test ride at low speed to ensure your vehicle has maintained stability.

### **Warning!**

If the suspension makes an abnormal noise, or the function is irregular, or if you notice any leakage from the product, stop the vehicle immediately and return the product to an Öhlins Service Centre.

### **Warning!**

The product warranty shall only apply if the product has been operated and maintained in accordance with recommendations in this manual. If you have any questions regarding usage, service, inspection and/or maintenance please contact Öhlins.

### **Note!**

When working with the Öhlins product, always read the Vehicle Service Manual.

## Product Specific Warnings

### **Warning!**

This product was developed and designed exclusively for a specific vehicle model and shall only be installed on the intended vehicle model in its original condition as delivered from the vehicle manufacturer.

### **Warning!**

This product contains pressurized nitrogen gas (N<sub>2</sub>). Do not open, service or modify this product without proper education (authorized Öhlins dealer/distributor) and proper tools.

## SAFETY SYMBOLS

In this manual, mounting instructions and other technical documents, important information concerning safety is distinguished by the following symbols:



The Safety Alert Symbol means: Warning! Your safety is involved.

### **Warning!**

The Warning Symbol means: Failure to follow warning instructions can result in severe or fatal injury to anyone working with, inspecting or using the shock absorber, or to bystanders.

### **Caution!**

The Caution Symbol means: Special precautions must be taken to avoid damage to the shock absorber.

### **Note!**

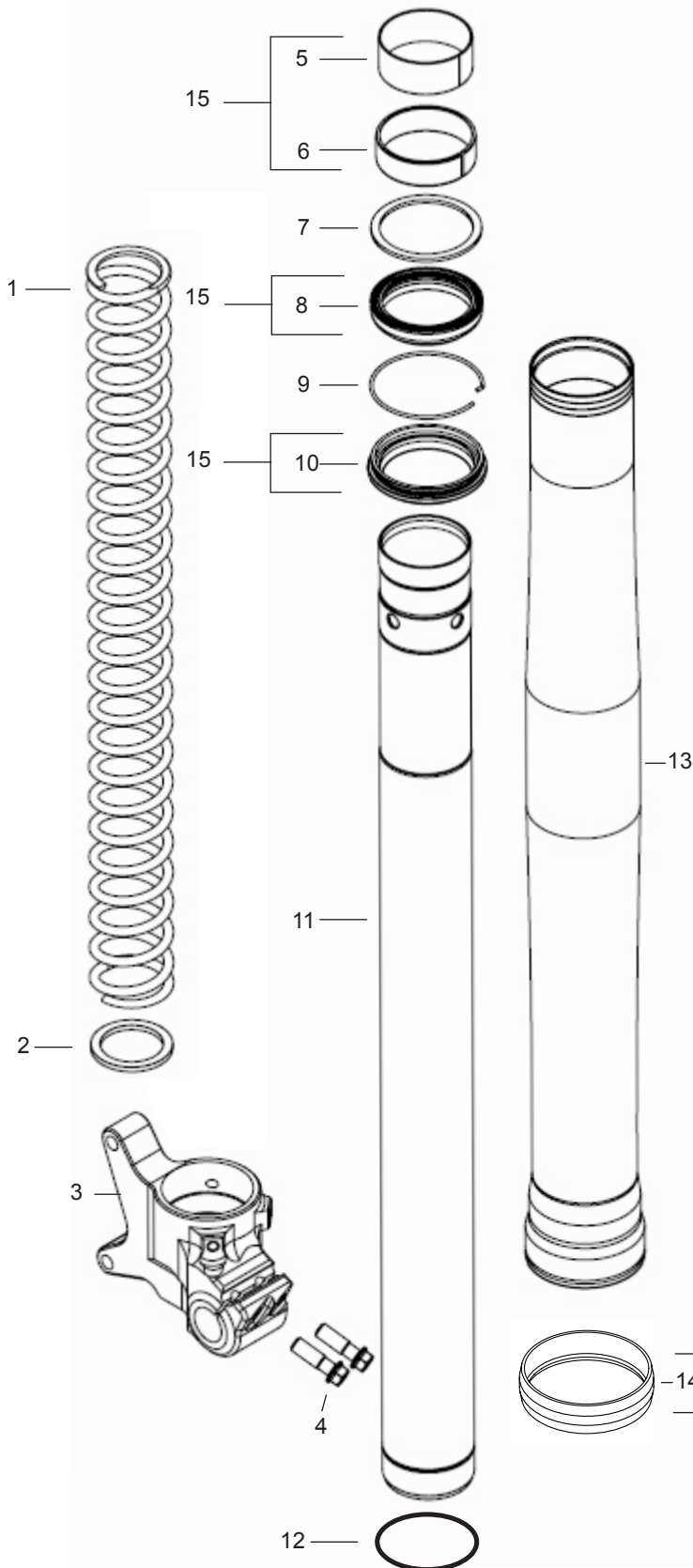
The Note Symbol indicates information that is important regarding procedures.

© Öhlins Racing AB. All rights reserved.  
Any reprinting or unauthorized use without the written permission of Öhlins Racing AB is prohibited.

## CONTENTS

Figure 1 - External parts .....	3
Figure 2 - End cap and outer tube .....	4
Figure 3 - Dividing piston and inner tube.....	5
Figure 4 - Top out spring and Check valve .....	6
Figure 5 - Shaft and hydraulic stop cup.....	7

Figure 1 - External parts



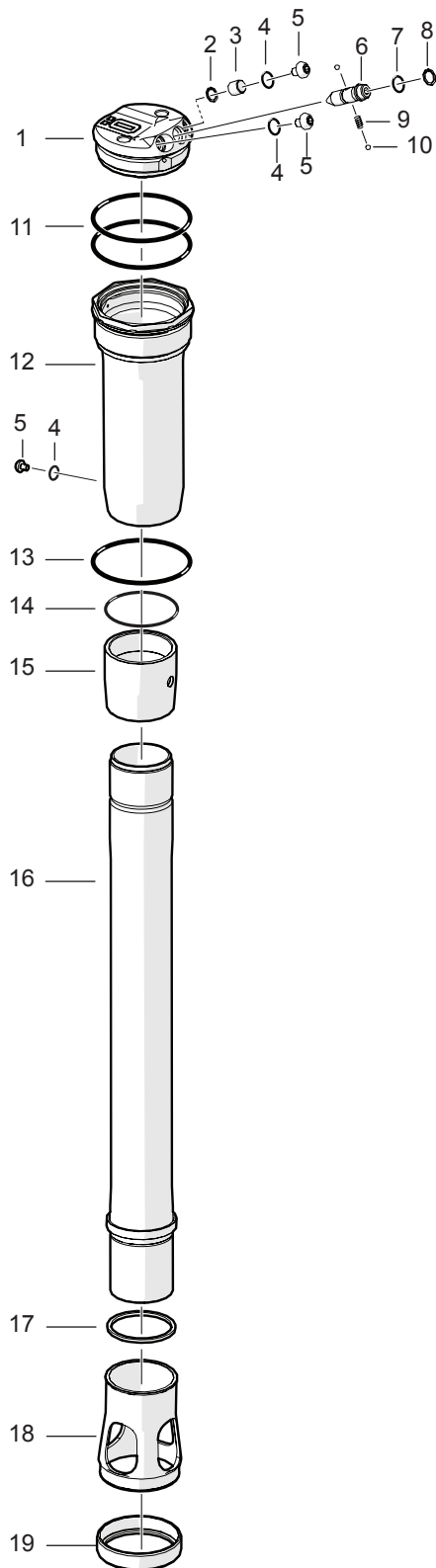
Pos	Part No	Pcs	Description	Notes
	00191-63	-	Sticker "Öhlins"	
1-1	08765-37	-	Spring	Optional
1-1	08765-39	-	Spring	Optional
1-1	08765-41	-	Spring	Optional
1-1	08765-43	1	Spring	Standard
1-1	08765-45	-	Spring	Optional
1-1	08765-47	-	Spring	Optional
1-1	08765-49	-	Spring	Optional
1-1	08765-51	-	Spring	Optional
1-1	08765-53	-	Spring	Optional
1-2	15443-02	-	Preload spacer 2mm	See spec. card
1-2	15443-10	-	Preload spacer 10mm	See spec. card
1-3	15202-53	1	Fork bottom Left	
1-3	15202-54	1	Fork bottom Right	
1-4	15209-01	2	Screw M8x25	
1-5	02549-01	1	Bushing	upper
1-6	15205-01	1	Bushing	lower
1-7	02412-02	1	Washer	
1-8	15206-02	1	Seal	
1-9	02015-01	1	Circlip	
1-10	15207-02	1	Scraper	
1-11	02486-32	1	Fork leg inner	
1-12	00438-16	1	O-ring	
1-13	15203-01	1	Fork leg outer	
1-14	02409-04	1	Guide sleeve	
1-15	15999-01	1	Service kit	

Pos	Part No	Tightening torque	Loctite	Grease
1-3	15202-53	210Nm	648	
1-3	15202-54	210Nm	648	
1-4	15209-01	15Nm		00146-XX
1-8	15206-02			01330-XX
1-10	15207-02			01330-XX inside, Keep outside dry

**Note!**

Use grease 00146-XX on all o-rings and x-rings.

**Figure 2 - End cap and outer tube**

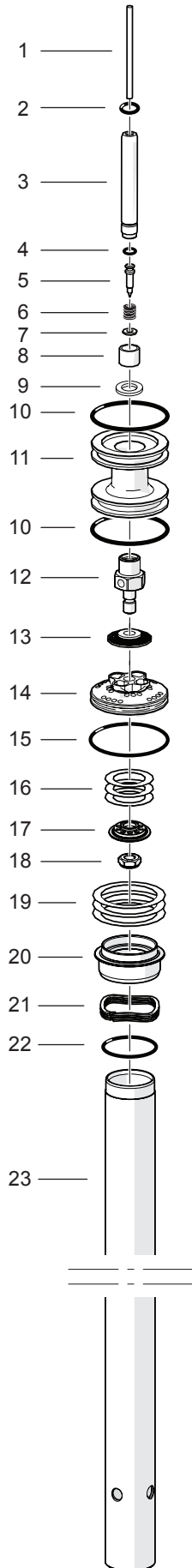


Pos	Part No	Pcs	Description	Notes
2-1	15411-01	1	End cap	
2-2	01152-05	1	Circlip	
2-3	00604-01	1	Rubber valve	
2-4	00338-59	3	O-ring	
2-5	01050-01	3	Screw	
2-6	15422-01	1	Adj. screw comp	
2-7	00338-79	1	O-ring	
2-8	01473-06	1	Circlip	
2-9	01474-01	1	Spring	
2-10	00884-02	2	Ball	
2-11	00338-63	2	O-ring	
2-12	15447-04	1	Top cap/reservoir tube	
2-13	00638-24	1	O-ring upper	
2-14	00438-78	1	O-ring	
2-15	15448-03	1	Lock nut	
2-16	15449-11	1	Outer tube assy	
2-17	15413-01	1	Thrust washer	
2-18	15429-05	1	Spring seat	
2-19	15481-04	1	Bushing	

Pos	Part No	Tightening torque	Loctite	Grease
2-1	15411-01	20Nm		
2-5	01050-01	2Nm		
2-12	15447-04	10Nm in 15203-XX		
2-12	15447-04	40Nm in 15449-11	2701	
2-15	15448-03	40Nm	2701	

**👁 Note!**  
Use grease 00146-XX on all o-rings and x-rings.

**Figure 3 - Dividing piston and inner tube**

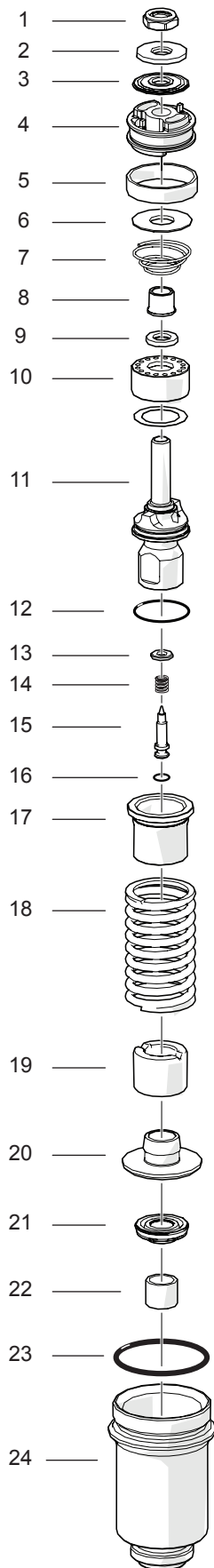


Pos	Part No	Pcs	Description	Notes
3-1	15412-01	1	Adj. rod comp.	
3-2	00583-01	1	O-ring	
3-3	15403-01	1	Shaft	
3-4	00338-56	1	O-ring	
3-5	15416-01	1	Bleed needle	
3-6	15433-01	1	Spring	
3-7	15414-01	1	Valve washer	
3-8	01056-09	1	Bushing	
3-9	01027-12	1	X-ring	
3-10	00338-96	2	O-ring	
3-11	15420-03	1	Dividing piston	
3-12	15427-03	1	Rod end comp.	
3-13	-	-	Shim stack	See spec. card
3-14	15405-04	1	Valve	
3-15	00438-18	1	O-ring	
3-16	15432-02	3	Shim	
3-17	15418-03	1	Check valve holder	
3-18	15421-01	1	Lock nut	
3-19	15432-03	3	Shim	
3-20	15418-04	1	Check valve holder	
3-21	15487-01	1	Wave washer	
3-22	00338-83	1	O-ring	
3-23	15402-05	1	Inner tube	

Pos	Part No	Tightening torque	Loctite	Grease
3-1	15412-01			00146-XX
3-12	15427-03	7Nm	243	
3-18	15421-01	3,5Nm		

**Note!**  
Use grease 00146-XX on all o-rings and x-rings.

**Figure 4 - Top out spring and Check valve**

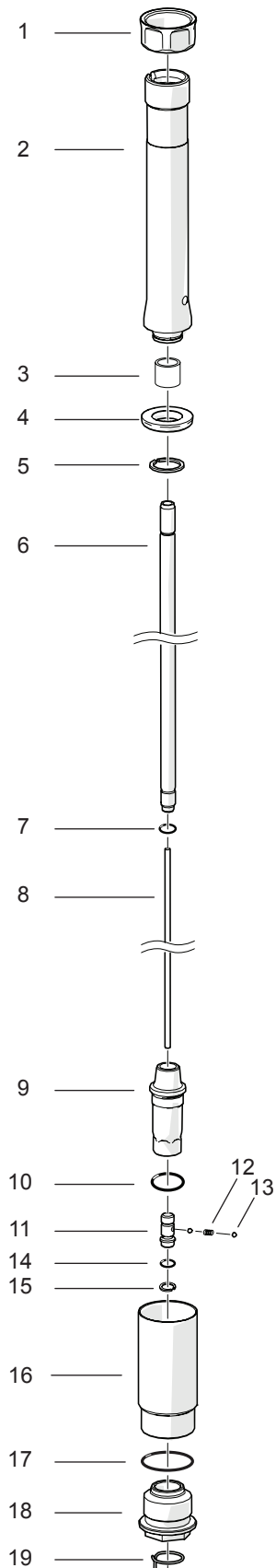


Pos	Part No	Pcs	Description	Notes
4-1	15421-01	1	Nut	
4-2	01449-06	1	Washer	
4-3	-	-	Shim stack reb.	See spec. card
4-4	15406-05	1	Piston	
4-5	15409-02	1	Piston ring	
4-6	-	-	Shim stack comp.	See spec. card
4-7	15497-02	1	Spring, conical	
4-8	15483-06	1	Sleeve	
4-9	01449-03	1	Washer	
4-10	15489-03	1	Check valve housing	
4-11	15425-07	1	Piston holder	
4-12	00638-12	1	O-ring	
4-13	15414-01	1	Valve washer	
4-14	15433-01	1	Spring	
4-15	15415-02	1	Adj. needle	
4-16	00338-56	1	O-ring	
4-17	15499-01	1	Sleeve, top out	
4-18	15400-03	1	Top out spring	
4-19	15486-01	1	Top out rubber	
4-20	15477-01	1	Sleeve	
4-21	15867-01	1	Seal scraper	
4-22	01056-09	1	Bushing	
4-23	00576-07	1	O-ring	
4-24	15426-03	1	Bottom cap	

Pos	Part No	Tightening torque	Loctite	Grease
4-1	15421-01	5Nm		
4-11	15425-07	12Nm	243	
4-24	15426-03	40Nm	603	

**Note!**  
Use grease 00146-XX on all o-rings and x-rings.

**Figure 5 - Shaft and hydraulic stop cup**



Pos	Part No	Pcs	Description	Notes
5-1	15455-01	1	Lock nut	
5-2	15408-03	1	Hydraulic stop tube	
5-3	01056-09	1	Bushing	
5-4	15441-03	1	Hydraulic stop piston	
5-5	05009-16	1	Circlip	
5-6	15454-01	1	Shaft	
5-7	00338-39	1	O-ring	
5-8	15412-03	1	Adj. rod rebound	
5-9	15431-02	1	Shaft end	
5-10	00338-10	1	O-ring	
5-11	15423-01	1	Adj. screw rebound	
5-12	01474-01	1	Spring	
5-13	00884-02	2	Ball	
5-14	00338-79	1	O-ring	
5-15	01473-06	1	Circlip	
5-16	15456-02	1	Hydr. stop cup	
5-17	00438-02	1	O-ring lower	
5-18	15430-05	1	Base plug	
5-19	15440-01	1	Circlip	

Pos	Part No	Tightening torque	Loctite	Grease
5-1	15455-01	20Nm	480 alt. 406	
5-8	15412-03			00146-XX
5-9	15431-01	12Nm on shaft	603	
5-9	15431-01	18Nm in base plug		
5-18	15430-05	45Nm in fork bottom		

**👁 Note!**  
Use grease 00146-XX on all o-rings and x-rings.

Your Öhlins retailer:

Öhlins Racing AB  
Box 722  
SE-194 27, Upplands Väsby  
Sweden

Phone: +46 (0)8 590 025 00  
Fax: +46 (0)8 590 025 80  
[www.ohlins.com](http://www.ohlins.com)



[www.ohlins.com](http://www.ohlins.com)