

Front Fork kit for Honda CRF1000L Africa Twin Adventure Sports

FFHO 102 0

Spare Parts List Workshop Manual



ADVANCED SUSPENSION TECHNOLOGY

SAFETY PRECAUTIONS

⚠ Warning!

The shock absorber/front fork/steering damper is an important part of the vehicle and will affect the stability.

⚠ Warning!

After installing the Öhlins product, take a test ride at low speed to make sure your vehicle has maintained stability.

⚠ Warning!

Some of Öhlins products contain pressurized nitrogen gas (N₂). Do not open, service or modify pressurized products without proper education (approved Öhlins dealer/distributor) and proper tools.

👁 Note!

Read and ensure you understand the information in this manual and other technical documents provided by Öhlins, before you use the product.

👁 Note!

Öhlins Racing AB can not be held responsible for any damage to the shock absorber/front fork/steering damper, vehicle, other property or injury to persons, if the instructions for mounting, usage and maintenance are not obeyed.

⚠ Warning!

If the suspension makes an abnormal noise, or the function is irregular, or if you notice any leakage from the product, stop the vehicle immediately and return the product to an Öhlins Service Centre.

⚠ Warning!

The product warranty shall only apply if the product has been operated and maintained in accordance with recommendations in this manual. If you have any questions regarding usage, service, inspection and/or maintenance contact Öhlins.

👁 Note!

When working with the Öhlins product, read the Vehicle Service Manual.

⚠ Warning!

This product was developed and designed exclusively for a specific vehicle model and shall only be installed on the intended vehicle model in its original condition as delivered from the vehicle manufacturer.

Contents

Figure 1 - Top cap	3
Figure 2 - Shaft assembly	4
Figure 3 - Damping unit	5
Figure 4 - External parts	6

SAFETY SYMBOLS

In this manual, mounting instructions and other technical documents, important information concerning safety is distinguished by the following symbols:



The Safety Alert Symbol means: Warning! Your safety is involved.

⚠ Warning!

The Warning Symbol means: Failure to follow warning instructions can result in severe or fatal injury to anyone working with, inspecting or using the shock absorber, or to bystanders.

👉 Caution!

The Caution Symbol means: Special precautions must be taken to avoid damage to the shock absorber.

👁 Note!

The Note Symbol indicates information that is important regarding procedures.

© Öhlins Racing AB. All rights reserved.

Any reprinting or unauthorized use without the written permission of Öhlins Racing AB is prohibited.

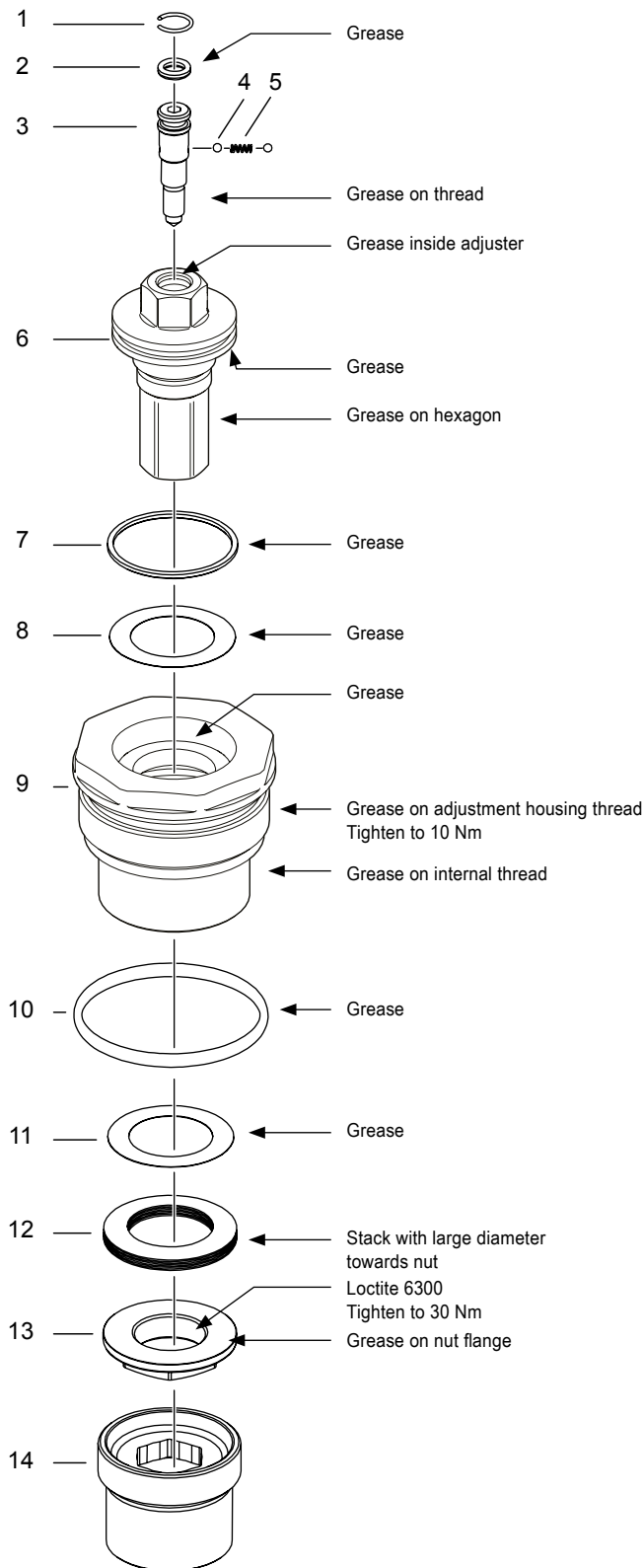
Torque, threadlocker and grease listed below apply to both cartridges.

Special tools required:

Part number	Description	Note
01791-25	Threadlocker Loctite 2400	50 ml
01791-27	Threadlocker Loctite 2700	50 ml
01791-23	Threadlocker Loctite 6300	50 ml
00146-01	Grease	100 g
00727-02	Clamp	Shaft
00727-06	Clamp	Cylinder tube
01309-xx	Suspension fluid	Inner tube, seal
24670-01	Clamp tool	24669-03
24669-03	Sleeve 48 mm	Inner tube
01799-04	Bushing and seal installer tool	

SPL FFHO 102 0

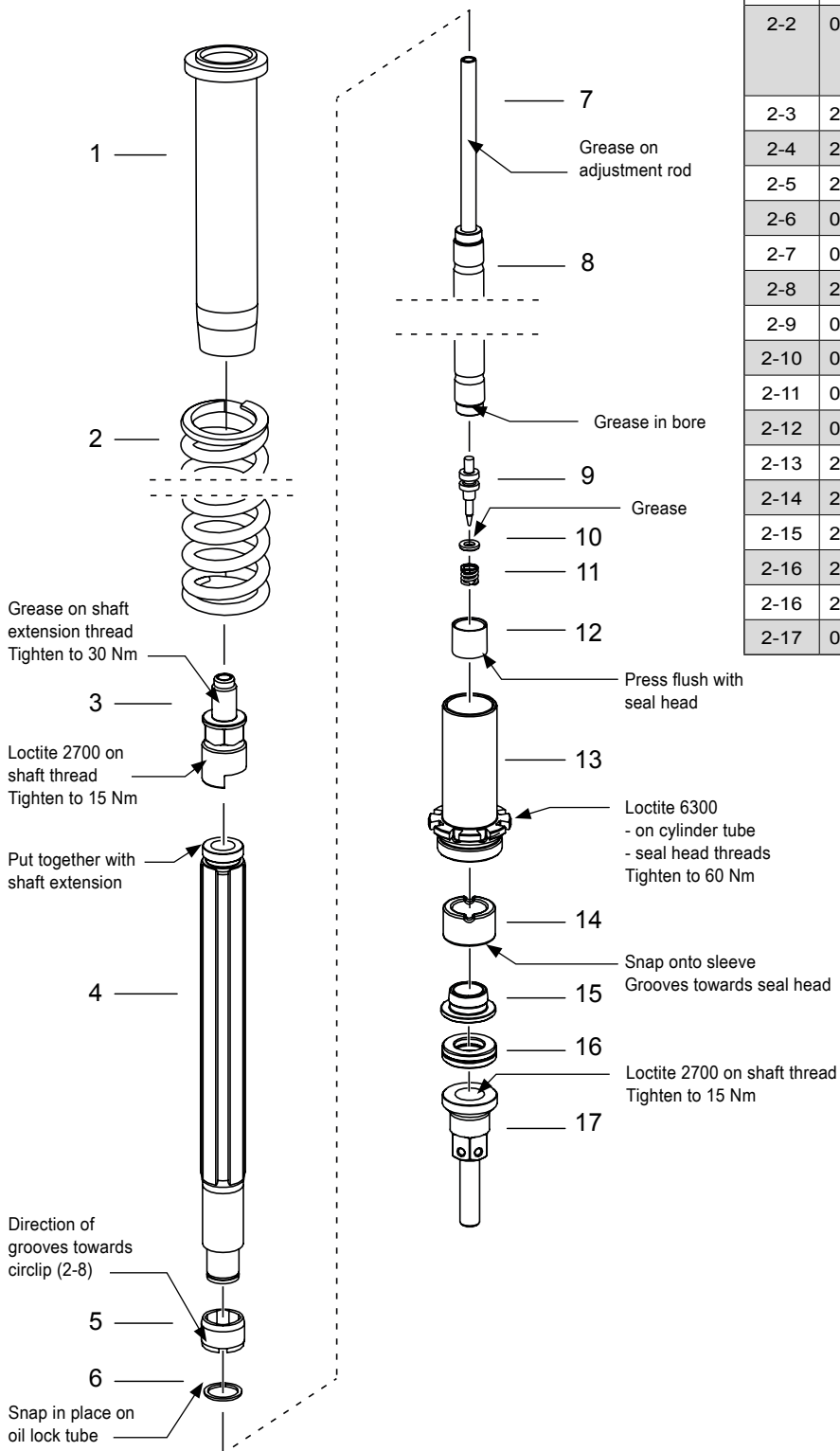
Figure 1 - Top cap



Pos	Part No	Pcs	Description	Notes
1-1	01473-01	2	Circlip	
1-2	00577-01	2	O-ring	
1-3	01467-02	2	Adjustment screw	
1-4	00884-04	4	Ball	
1-5	01474-01	2	Spring	
1-6	21934-01	1	Adjuster	Compression
1-6	21934-02	1	Adjuster	Rebound
1-7	00338-72	2	O-ring	
1-8	03309-01	2	Shim	
1-9	21933-02	2	Adjustment housing	
1-10	00638-24	2	O-ring	
1-11	03309-01	2	Shim	
1-12	03317-01	8	Spring washer	
1-13	03313-01	2	Nut	
1-14	03315-06	2	Preload socket	

SPL FFHO 102 0

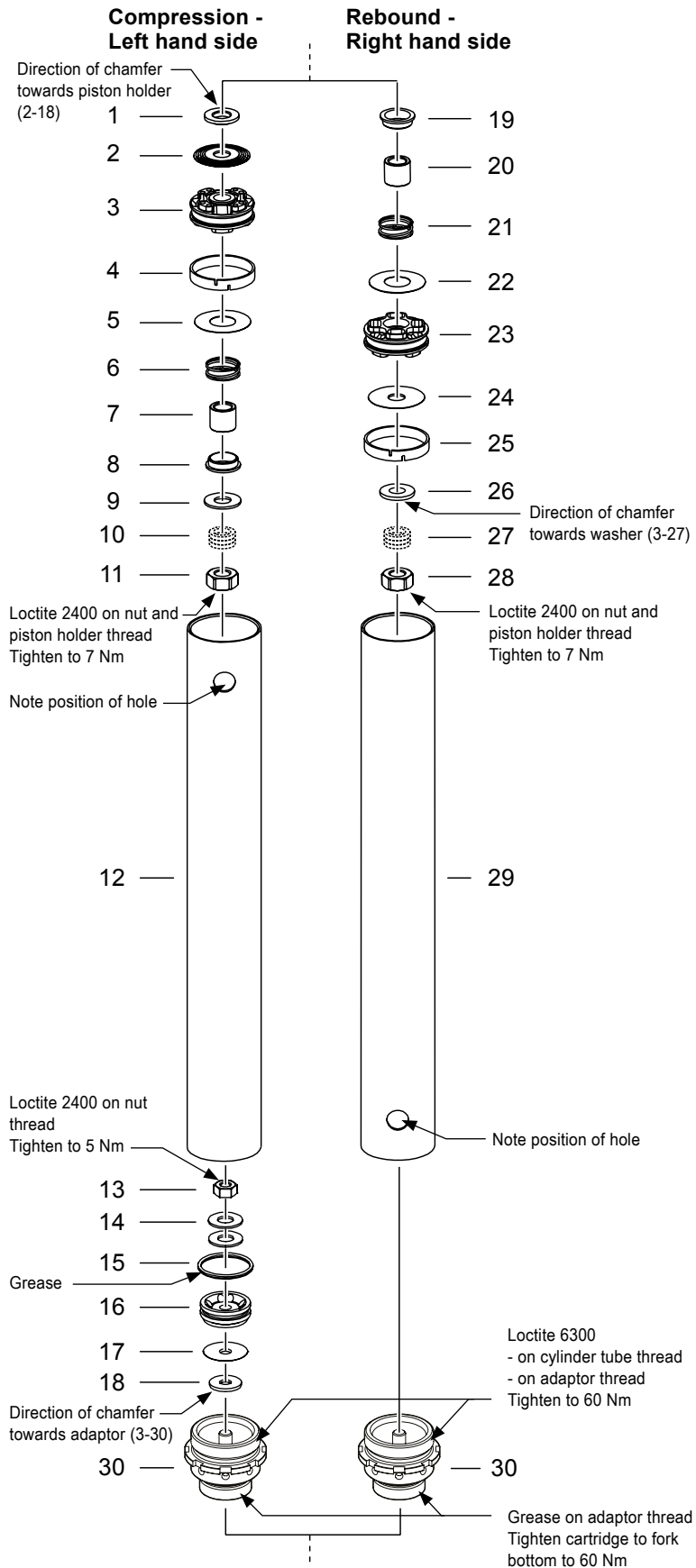
Figure 2 - Shaft assembly



Pos	Part No	Pcs	Description	Notes
2-1	21757-09	2	Guide sleeve	
2-2	02421-65	2	Main spring	Optional main springs 02421-xx (packed individually)
2-3	21756-01	2	Shaft extension	
2-4	21759-08	2	Oil lock tube	
2-5	21753-01	2	Oil lock piston	
2-6	00131-05	2	Circlip	
2-7	02366-22	2	Adjustment rod	
2-8	21637-05	2	Shaft	
2-9	01698-42	2	Needle	
2-10	00438-31	2	O-ring	
2-11	02322-01	2	Spring	
2-12	00110-03	2	Bushing	
2-13	21754-03	2	Seal head	
2-14	21752-01	2	Top out rubber	
2-15	21751-01	2	Sleeve	
2-16	21620-02	2	Spacer 2 mm	
2-16	21620-03	4	Spacer 3 mm	
2-17	01654-13	2	Piston holder	

SPL FFHO 102 0

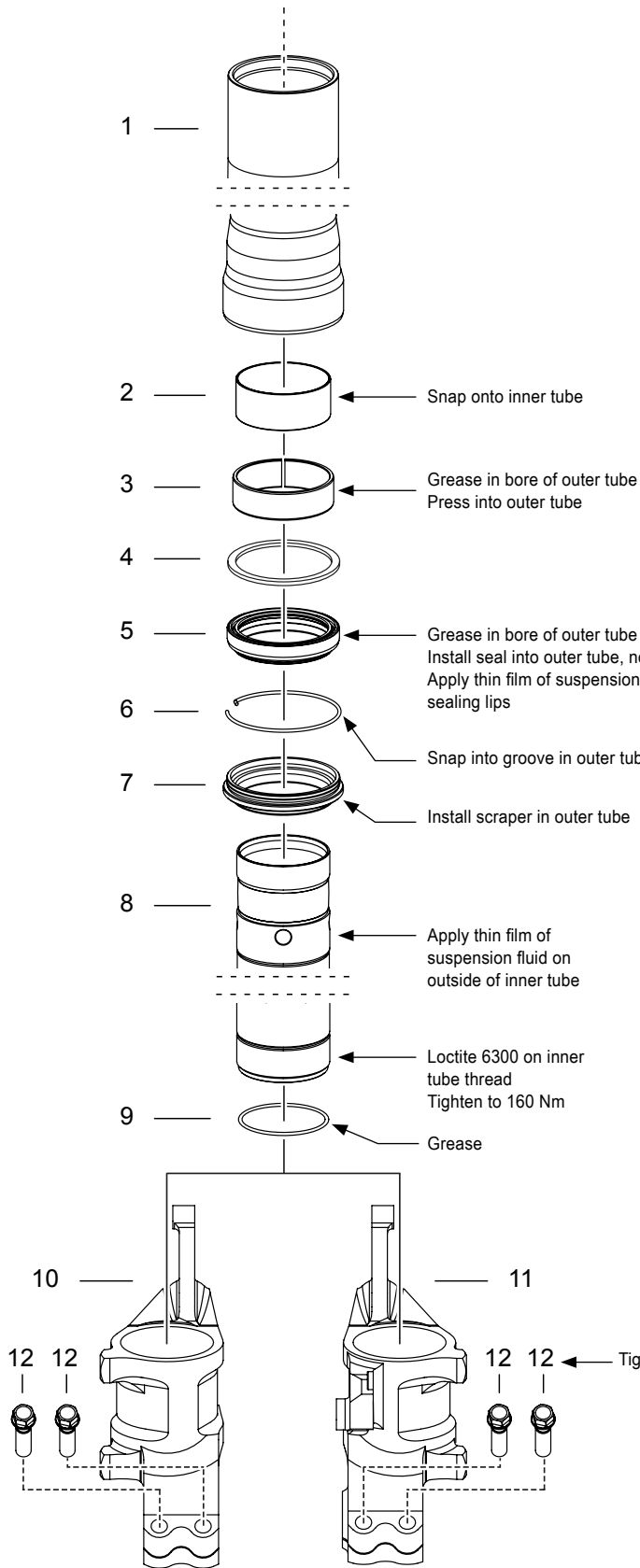
Figure 3 - Damping unit



Pos	Part No	Pcs	Description	Notes
3-1	21750-25	1	Washer	Comp primary
3-2	See spec. card	-	Shim stack	Comp primary
3-3	21645-02	1	Piston	Comp primary
3-4	01447-03	1	Piston ring	Comp primary
3-5	00520-26	1	Check valve shim	Comp primary
3-6	01693-03	1	Check valve spring	Comp primary
3-7	01669-06	1	Sleeve	Comp primary
3-8	01672-01	1	Spring collar	Comp primary
3-9	00120-01	1	Washer	Comp primary
3-10	01674-01	1	Washer	Comp primary
3-11	01657-01	1	Nut	Comp primary
3-12	21646-07	1	Cylinder tube	Comp primary
3-13	01657-02	1	Nut	Comp secondary
3-14	00578-04	2	Washer	Comp secondary
3-15	00438-03	1	O-ring	Comp secondary
3-16	21755-01	1	Valve	Comp secondary
3-17	See spec. card	-	Shim stack	Comp secondary
3-18	01449-06	1	Washer	Comp secondary
3-19	01672-01	1	Spring collar	Reb primary
3-20	01669-06	1	Sleeve	Reb primary
3-21	01693-03	1	Check valve spring	Reb primary
3-22	00520-26	1	Check valve shim	Reb primary
3-23	21645-02	1	Piston	Reb primary
3-24	See spec. card	-	Shim stack	Reb primary
3-25	01447-03	1	Piston ring	Reb primary
3-26	21750-16	1	Washer	Reb primary
3-27	01674-01	1	Washer	Reb primary
3-28	01657-01	1	Nut	Reb primary
3-29	21646-07	1	Cylinder tube	Reb primary
3-30	21758-06	2	Adaptor	

SPL FFHO 102 0

Figure 4 - External parts



Pos	Part No	Pcs	Description	Notes
4-1	21936-01	2	Outer tube	
4-2	02549-01	2	Bushing	
4-3	15205-01	2	Bushing	
4-4	02412-02	2	Washer	
4-5	15206-01	2	Seal	
4-6	02015-01	2	Circlip	
4-7	15207-01	2	Scraper	
4-8	02486-32	2	Inner tube	
4-9	00438-16	2	O-ring	
4-10	21935-02	1	Fork bottom	Right hand side
4-11	21935-01	1	Fork bottom	Left hand side
4-12	15209-03	4	Screw	

Your Öhlins retailer:

Öhlins Racing AB
Box 722
SE-194 27, Upplands Väsby
Sweden

Phone: +46 (0)8 590 025 00
Fax: +46 (0)8 590 025 80
www.ohlins.com



www.ohlins.com