

*Shock absorber Ducati Scrambler Desert Sled*

***DU5091***

*Spare Parts List*



## SAFETY PRECAUTIONS

### **⚠ Warning!**

The shock absorber/front fork/steering damper is an important part of the vehicle and will affect the stability.

### **⚠ Warning!**

After installing the Öhlins product, take a test ride at low speed to make sure your vehicle has maintained stability.

### **⚠ Warning!**

Some of Öhlins products contain pressurized nitrogen gas (N<sub>2</sub>). Do not open, service or modify pressurized products without proper education (approved Öhlins dealer/distributor) and proper tools.

### **👁 Note!**

Read and ensure you understand the information in this manual and other technical documents provided by Öhlins, before you use the product.

### **👁 Note!**

Öhlins Racing AB can not be held responsible for any damage to the shock absorber/front fork/steering damper, vehicle, other property or injury to persons, if the instructions for mounting, usage and maintenance are not obeyed.

### **⚠ Warning!**

If the suspension makes an abnormal noise, or the function is irregular, or if you notice any leakage from the product, stop the vehicle immediately and return the product to an Öhlins Service Centre.

### **⚠ Warning!**

The product warranty shall only apply if the product has been operated and maintained in accordance with recommendations in this manual. If you have any questions regarding usage, service, inspection and/or maintenance contact Öhlins.

### **👁 Note!**

When working with the Öhlins product, read the Vehicle Service Manual.

### **⚠ Warning!**

This product was developed and designed exclusively for a specific vehicle model and shall only be installed on the intended vehicle model in its original condition as delivered from the vehicle manufacturer.

## Contents

Figure 1 - Shock absorber body .....	3
Figure 2 - Shaft assembly .....	4
Figure 3 - Cylinder head .....	5
Figure 4 - Reservoir assembly .....	5
Figure 5 - Compression adjuster .....	6

## SAFETY SYMBOLS

In this manual, mounting instructions and other technical documents, important information concerning safety is distinguished by the following symbols:



The Safety Alert Symbol means: Warning! Your safety is involved.

### **⚠ Warning!**

The Warning Symbol means: Failure to follow warning instructions can result in severe or fatal injury to anyone working with, inspecting or using the shock absorber, or to bystanders.

### **👉 Caution!**

The Caution Symbol means: Special precautions must be taken to avoid damage to the shock absorber.

### **👁 Note!**

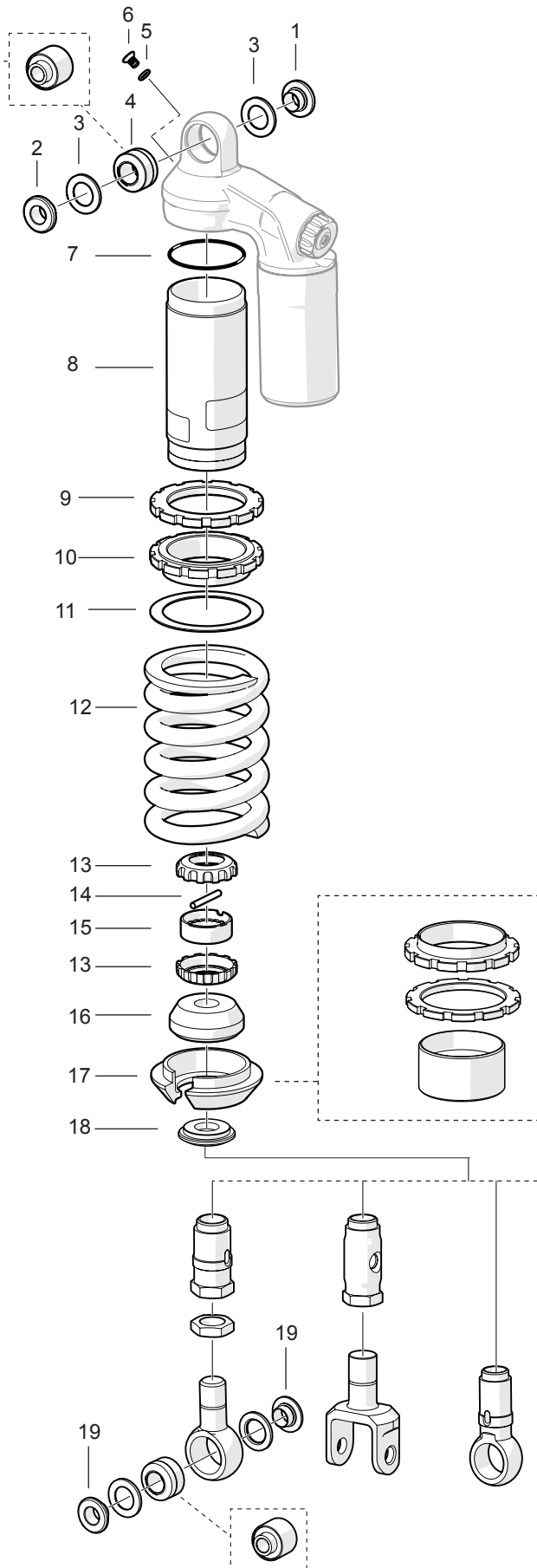
The Note Symbol indicates information that is important regarding procedures.

© Öhlins Racing AB. All rights reserved.

Any reprinting or unauthorized use without the written permission of Öhlins Racing AB is prohibited.

# SPL DU5091

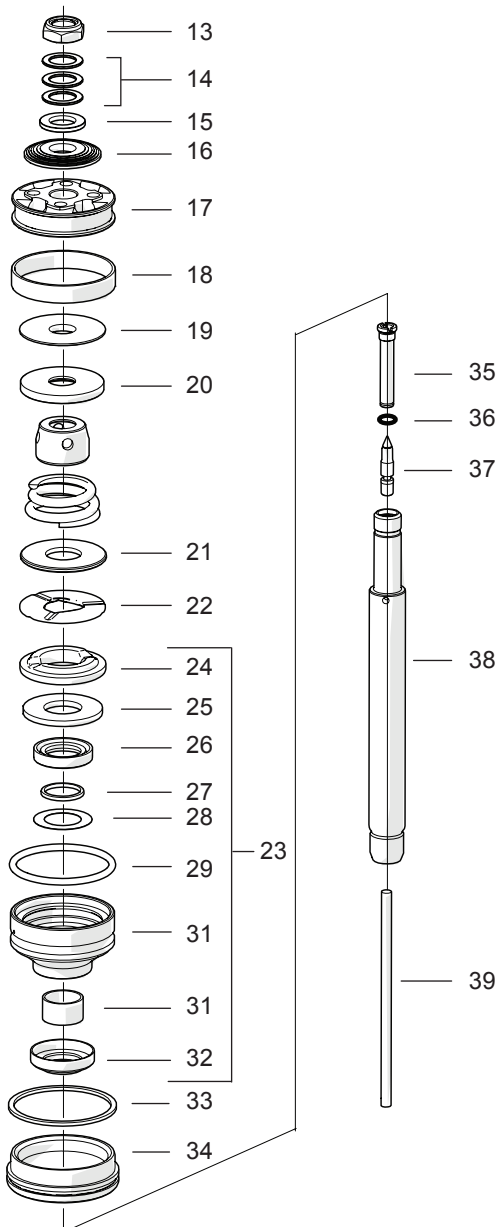
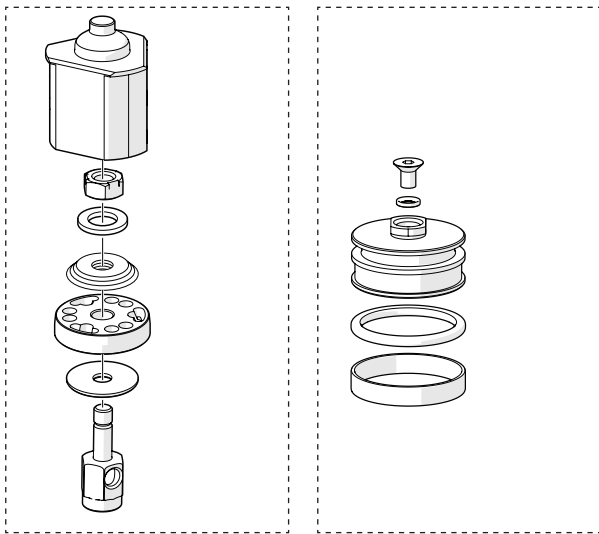
Figure 1 - Shock absorber body



Pos	Part No	Pcs	Description	Notes
1-1	21218-22	1	Spacer	
1-2	21218-13	1	Spacer	
1-3	00438-23	2	O-ring	
1-4	00536-13	1	Ball joint	
1-5	00438-33	1	O-ring	
1-6	00382-07	1	Screw	
1-7	00338-37	1	O-ring	
1-8	04210-09	1	Cyl. tube	
1-9	00532-01	1	Lock nut	
1-10	00531-12	1	Spring seat	
1-11	00543-01	1	Washer	
1-12	01096-34	1	Spring	
1-13	01016-01	2	Seal rebound adj.	
1-14	01030-01	1	Pin	
1-15	01128-01	1	Adjuster	
1-16	00563-02	1	Bump rubber	
1-17	00676-01	1	Spring clip	
1-18	61017-01	1	Stop washer	
1-19	01218-25	2	Spacer	
1-20	01052-42	1	Bracket	

# SPL DU5091

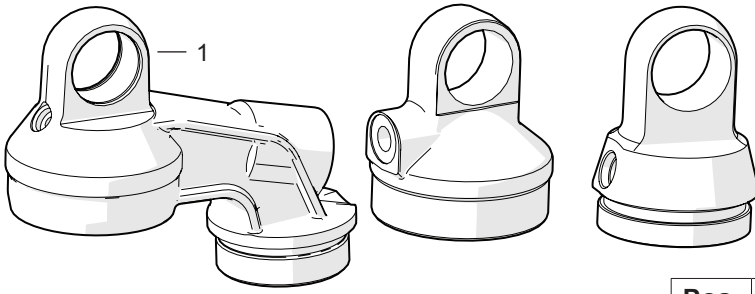
Figure 2 - Shaft assembly



Pos	Part No	Pcs	Description	Notes
2-13	00539-01	1	Lock nut	
2-14	00578-01	3	Washer	
2-15	00519-07	1	Valve stop	
2-16	-	-	Shim stack	See spec. card
2-17	01114-14	1	Piston	
2-18	00541-01	1	Piston ring	
2-19	-	-	Shim stack	See spec. card
2-20	00519-04	1	Valve stop	
2-21	06098-01	1	Bleed washer	
2-22	01069-02	2	Spacer	
2-23	05129-09	1	Seal head assy	
2-24	03067-03	1	Stop rubber	
2-25	04752-03	1	Washer	
2-26	04717-03	1	Seal	
2-27	01032-23	1	Back up ring	
2-28	04729-04	1	Shim	
2-29	00338-46	1	O-ring	
2-30	05122-06	1	Seal head	
2-31	01056-14	1	Bushing	
2-32	01031-02	1	Scraper	
2-33	00575-01	1	Circlip	
2-34	01065-31	1	End cap	
2-35	05665-18	1	Valve assy	
2-36	00338-14	1	O-ring	
2-37	05655-04	1	Adj. needle	
2-38	05500-31	1	Shaft	
2-39	03566-48	1	Adj. shaft	

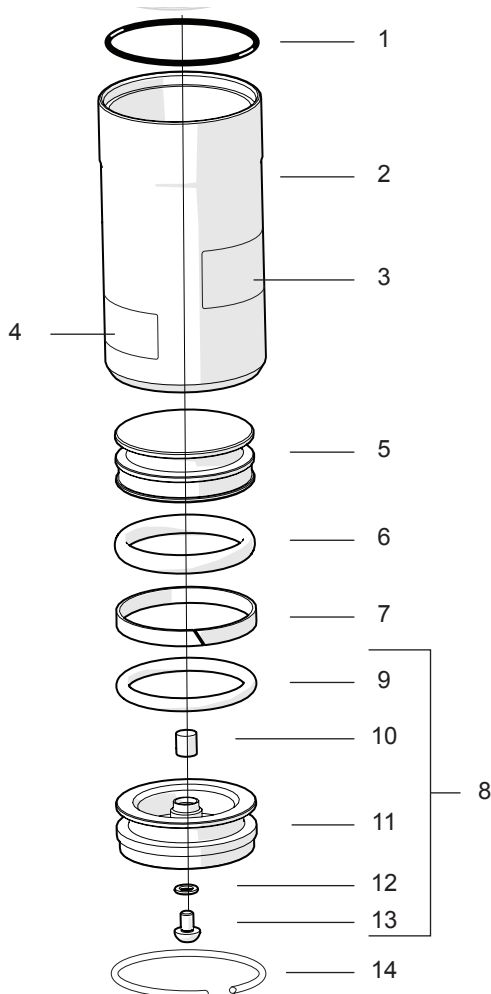
# SPL DU5091

Figure 3 - Cylinder head



Pos	Part No	Pcs	Description	Notes
3-1	03103-23	1	Cylinder head	

Figure 4 - Reservoir assembly

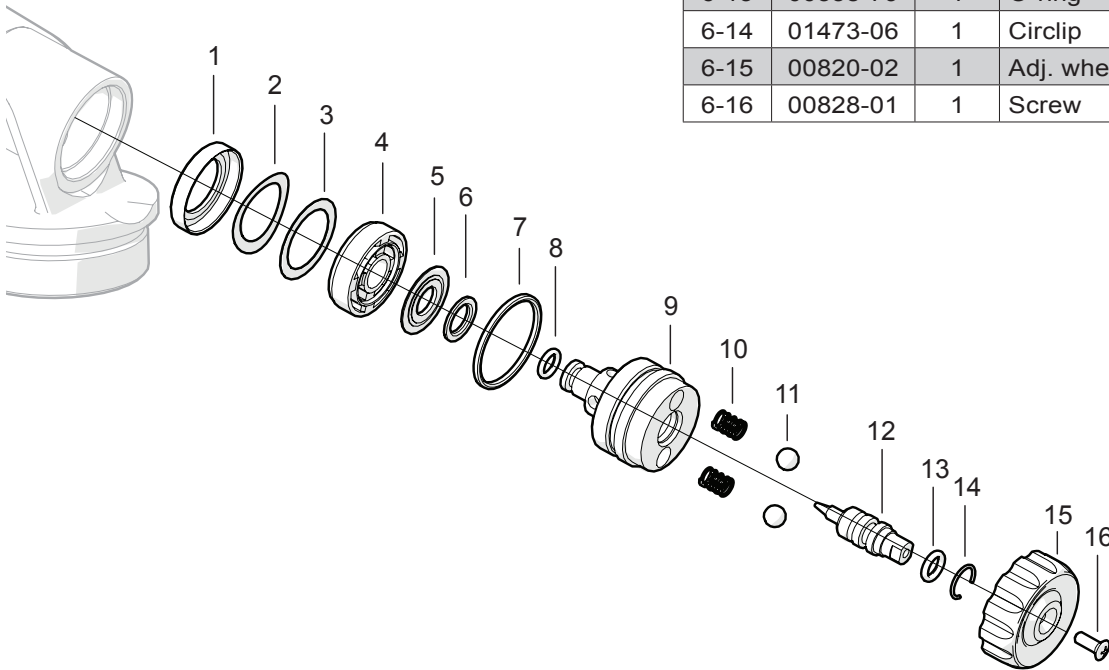


Pos	Part No	Pcs	Description	Notes
4-1	00338-24		O-ring	
4-2	00302-02		Reservoir	
4-3	00191-02		Sticker "Öhlins"	
4-4	00196-01		Sticker "Warning"	
4-5	00305-01		Reservoir piston	
4-6	00338-26		O-ring	
4-7	00340-01		Teflon band	
4-8	00161-03		Reservoir top assy	
4-9	00338-04		O-ring	
4-10	00604-01		Rubber valve	
4-11	00561-03		Reservoir end cap	
4-12	00338-59		O-ring	
4-13	01050-01		Screw	
4-14	00329-01		Circlip	

# SPL DU5091

**Figure 5 - Compression adjuster**

Pos	Part No	Pcs	Description	Notes
6-1	01247-01	1	Check valve housing	
6-2	01246-01	1	Wave washer	
6-3	01245-01	1	Shim	
6-4	01244-07	1	Valve	
6-5	-	-	Shim stack	see spec. card
6-6	00641-05	1	Clamp washer	
6-7	00338-27	1	O-ring	
6-8	00577-01	1	O-ring	
6-9	01243-07	1	Housing	
6-10	00833-01	2	Spring	
6-11	00884-07	2	Ball	
6-12	01242-06	1	Adj. needle	
6-13	00338-79	1	O-ring	
6-14	01473-06	1	Circlip	
6-15	00820-02	1	Adj. wheel	
6-16	00828-01	1	Screw	





Your Öhlins retailer:

Öhlins Racing AB  
Box 722  
SE-194 27, Upplands Väsby  
Sweden

Phone: +46 (0)8 590 025 00  
Fax: +46 (0)8 590 025 80  
[www.ohlins.com](http://www.ohlins.com)



[www.ohlins.com](http://www.ohlins.com)