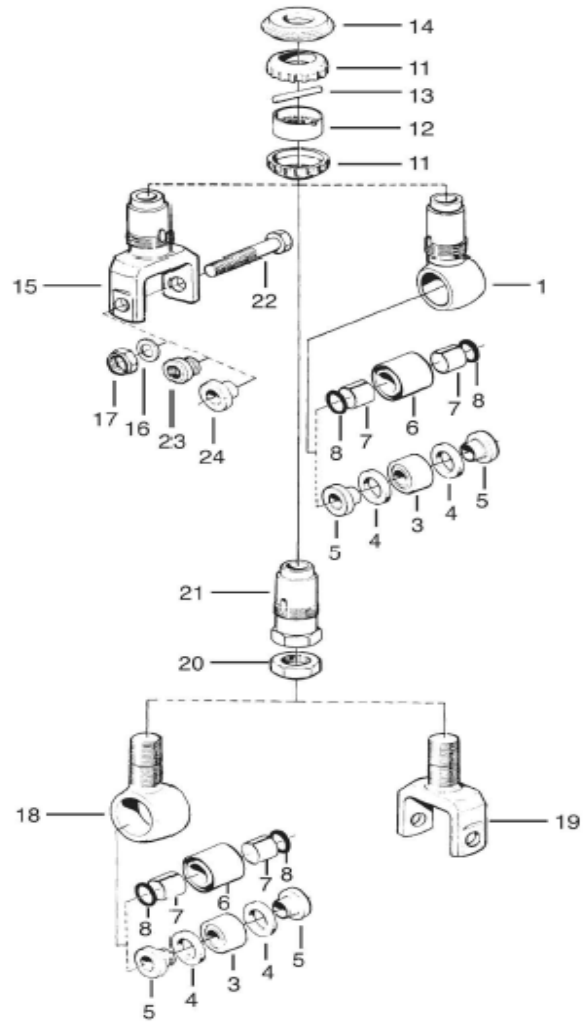
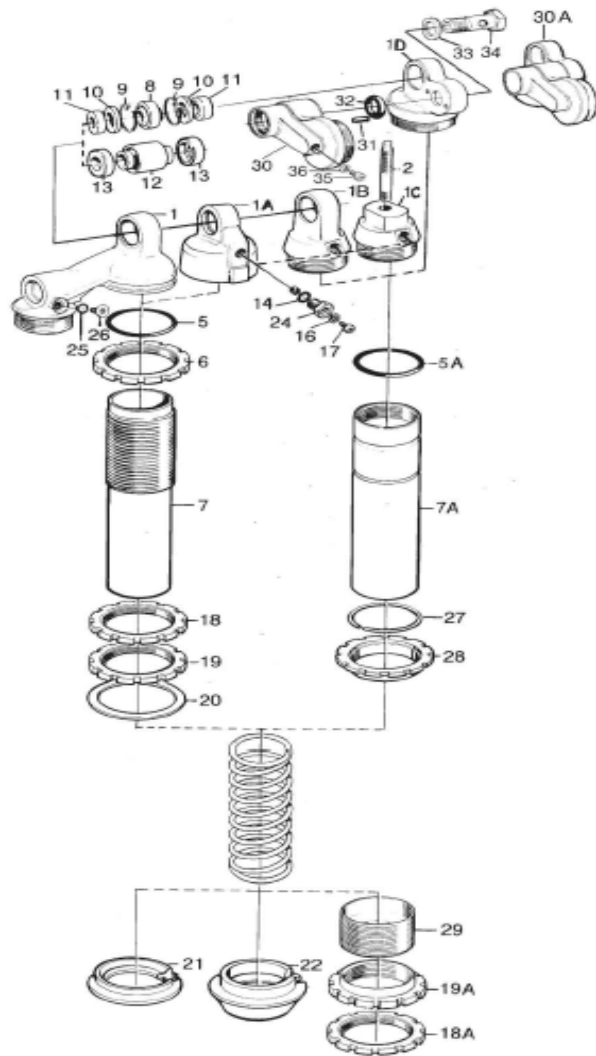


Fig.01



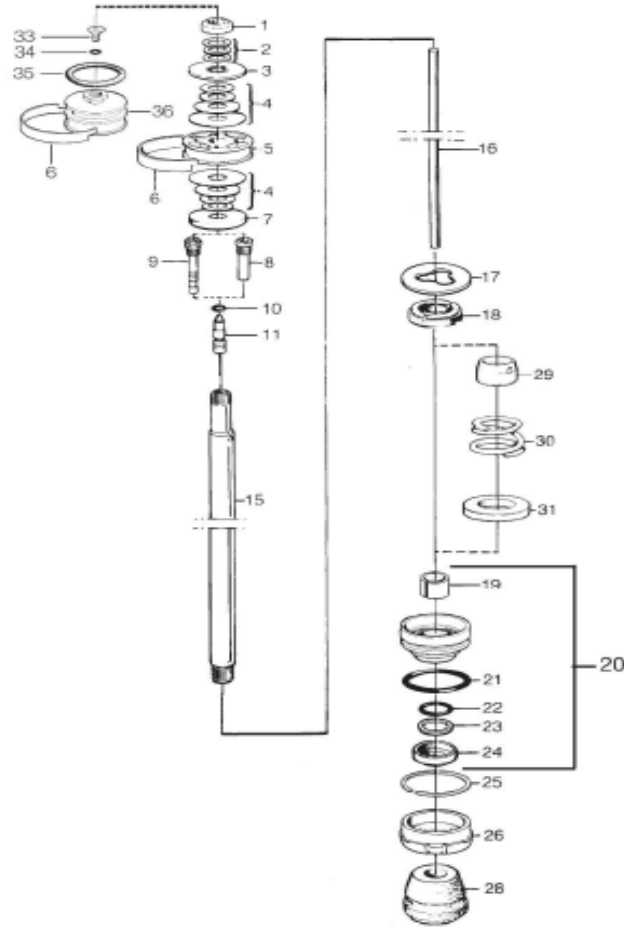
	<b>S46HR1C1</b>	<b>BMW R100/R80</b>	<b>BM 9416</b>
<b>Fig No.</b>	<b>Part No</b>	<b>Description</b>	<b>Qty</b>
<b>End eye</b>			
01-01	01054-08	End eye	1
01-03	00836-02	Ball joint	1
01-04	00834-01	Seal	2
01-05	00838-02	Spacer	2
01-11	01016-01	Seal rebound adjuster	2
01-12	01128-01	Adjustment knob	1
01-13	01030-01	Pin	1
01-14	01017-01	Stop washer	1

Fig.02



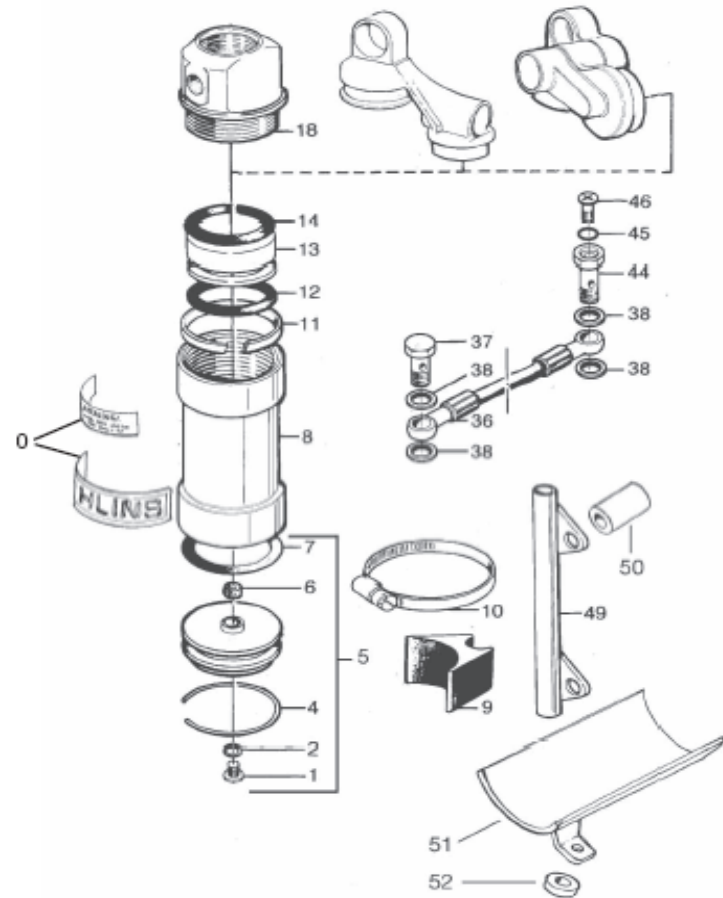
	<b>S46HR1C1</b>	<b>BMW R100/R80</b>	<b>BM 9416</b>
<b>Fig No.</b>	<b>Part No</b>	<b>Description</b>	<b>Qty</b>
<b>Body tube</b>			
02-01B	01280-01	Cylinder head	1
02-05A	00338-32	O-ring	1
02-07	04211-01	Cylinder tube	1
02-08	00836-02	Ball joint	1
02-10	00834-01	Seal ball joint	2
02-11	00838-03	Spacer, ball joint left side	1
02-11	00838-04	Spacer, ball joint right side	1
02-18	00532-01	Lock nut	1
02-19	00531-06	Spring platform	1
02-20	00543-01	Washer	1
02-21	00629-01	Spring clip	1
	01096-21	Spring	1

Fig.03



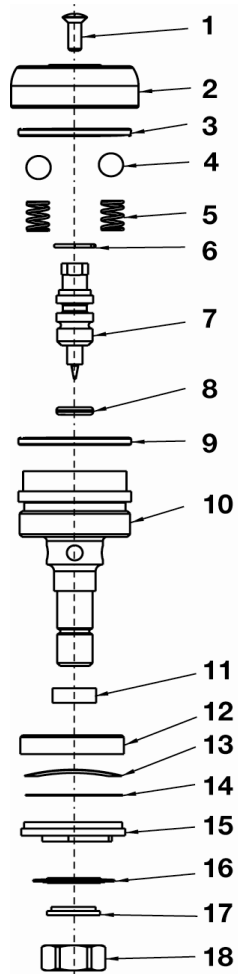
	<b>S46HR1C1</b>	<b>BMW R100/R80</b>	<b>BM 9416</b>
<b>Fig No.</b>	<b>Part No</b>	<b>Description</b>	<b>Qty</b>
<b>Shaft</b>			
03-01	00539-01	Lock nut	1
03-02	00578-01	Washer	7
03-05	01114-14	Piston	1
03-06	00541-01	Piston ring	1
03-07	00519-04	Stop washer	1
03-08	05621-03	Valve assy	1
03-10	00338-14	O-ring	1
03-11	05655-03	Adjustment needle	1
03-15	05500-19	Shaft	1
03-16	00566-36	Adj.shaft	1
03-17	01069-02	Spacer	1
03-17	01069-03	Spacer	2
03-18	03067-03	Stop rubber	1
	04752-03	Washer	1
03-19	01056-14	Bushing	1
03-20	05129-09	Seal head assy	1
03-21	00338-46	O-ring	1
03-22	04717-03	X-ring	1
03-23	01032-23	Back-up ring	1
	04729-04	Shim	1
03-24	01031-02	Scraper	1
03-25	00575-01	Circlip	1
03-26	01065-01	End cap	1
03-28	00563-03	Bump rubber	1

Fig.04



	<b>S46HR1C1</b>	<b>BMW R100/R80</b>	<b>BM 9416</b>
<b>Fig No.</b>	<b>Part No</b>	<b>Description</b>	<b>Qty</b>
<b>Reservoir</b>			
04-00	00191-03	Sticker "ÖHLINS" blue/transp	1
04-00	00196-01	Sticker "Warning"black/transp 17x53	1
04-01	01050-01	Screw	1
04-02	00338-59	O-ring	1
04-04	00329-01	Circlip	1
04-05	00161-03	Reservoir top assy	1
04-07	00338-04	O-ring	1
04-08	00302-01	Reservoir	1
04-09	00230-01	Rubber mount	2
04-10	00643-02	Hose clamp stainless	2
04-11	00340-01	Teflon band	1
04-12	00338-26	O-ring	1
04-13	00305-01	Reservoir piston	1
04-14	00338-24	O-ring	1
04-18	00862-01	Reservoir end	1
04-36	00640-03	Hose	1
04-37	00631-01	Banjo bolt 10mm	1
04-38	00586-01	Seal washer 10mm	2
04-44	00817-01	Banjo bolt 12mm	1
04-38	00686-01	Seal washer 12mm	2
04-45	00338-01	O-ring	1
04-46	00382-01	Screw	1
04-51	00804-02	Bracket	1

Fig.05



	<b>S46HR1C1</b>	<b>BMW R100/R80</b>	<b>BM 9416</b>
<b>Fig No.</b>	<b>Part No</b>	<b>Description</b>	<b>Qty</b>
<b>Compr. Valve</b>			
05-01	00828-01	Screw	1
05-02	00820-02	Knob	1
05-04	00884-07	Ball	2
05-05	00833-01	Spring	2
05-06	01473-06	Circlip	1
05-07	01242-06	Adjustment needle	1
05-08	00338-79	O-ring	1
05-09	00338-27	O-ring	1
05-10	01243-08	End piece	1
05-12	01247-01	Check valve housing	1
05-13	01246-01	Wave washer	1
05-14	01245-01	Check valve shim	1
05-15	01244-05	Valve	1
05-16		Shims see spec.card	1
05-17	00641-01	Washer	1
05-18	00430-07	Nut	1