

# BM 842

BMW R1100S/Front



## Öhlins shock absorber 36 PR

Your Öhlins shock absorber type 36 PR features the following adjusters:

### Rebound damping adjuster

Adjuster wheel on the piston shaft above the end bracket.

### Spring preload adjuster

Adjustments are made by turning the rings on the shock absorber body. Clockwise for harder adjustment, counter clockwise to release the preload.

### NOTE!

*When delivered the Öhlins shock absorber is dialed to recommended settings for the specific brand and make of the motorcycle. If you have changed the setting check like this:*

The adjusters have a normal right hand thread. Turn the damping adjusters clockwise to fully closed (pos. zero [0]). Turn counter clockwise to open and count the clicks until you reach the recommended number of clicks. See Setup data at last page.

### CAUTION!

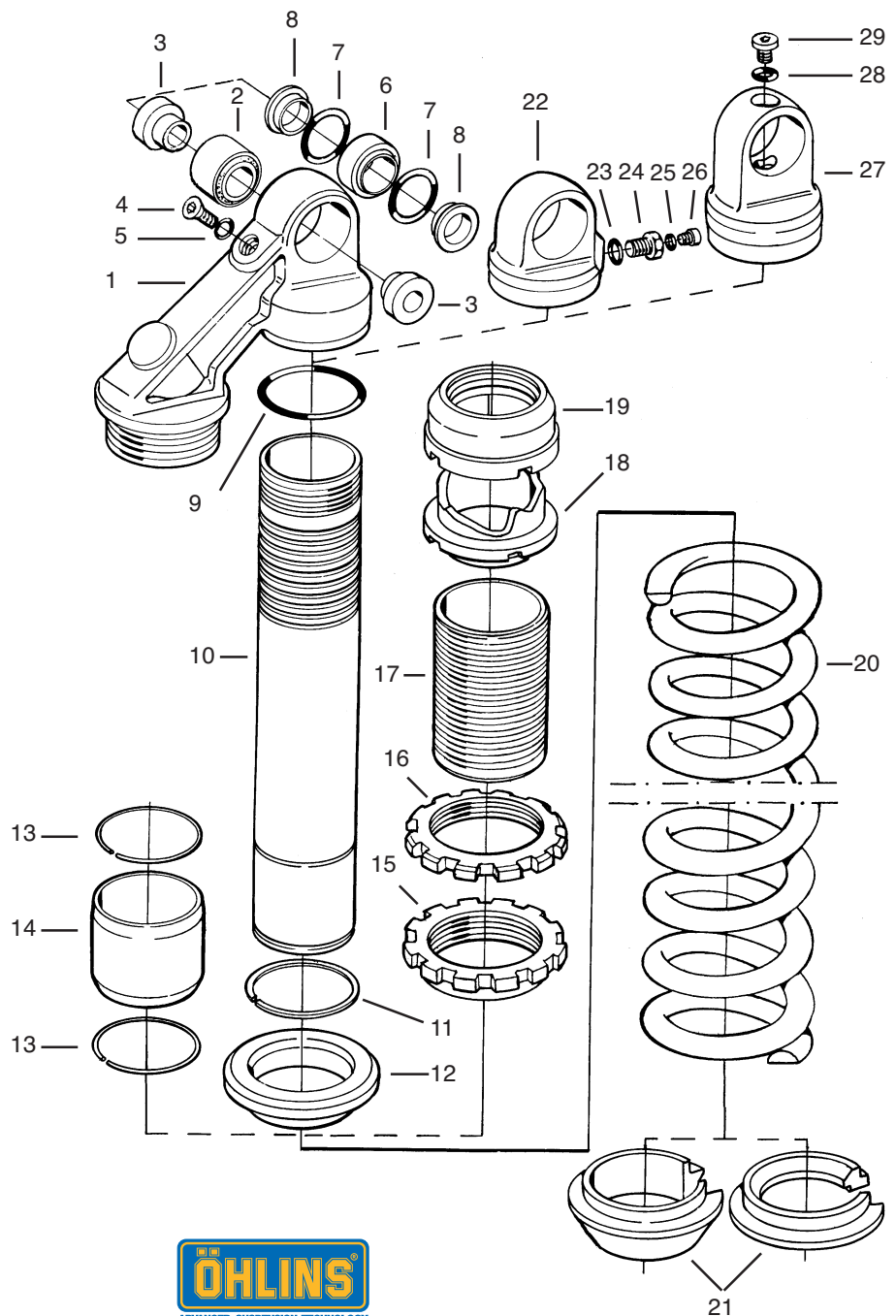
*Do not use to much force, delicate sealing surfaces can be damaged.*

# BM 842

BMW R1100S/Front

## Body tube

Fig No.	Part No	Description	Qty
03-01	00303-12	Cylinder head pb K36/25	1
03-02	00124-10	Rubber bushing 14/25/17	1
03-04	00382-07	Screw MFT (DIN965) A2 M5x8	£ 1
03-05	00438-33	O-ring 5.6x1.6 NBR 70	1
03-09	00338-02	O-ring 38x2.5 NBR70	1
03-10	00300-37	Cylinder tube 36/199	1
03-11	00131-01	Circlip SW 40	1
03-13	00428-01	Circlip 36/1.5	2
03-14	00417-01	Support sleeve, spring 40.15/44/35	1
03-15	00154-02	Spring platform M44x1.5	1
03-16	00155-02	Lock nut M44x1.5	1
03-17	00157-02	Sleeve M44x1.5/60 yellow	1
03-20	00180-44	Spring 46/200/57 N/mm	1
03-21	00116-03	Spring clip for springs 46	1

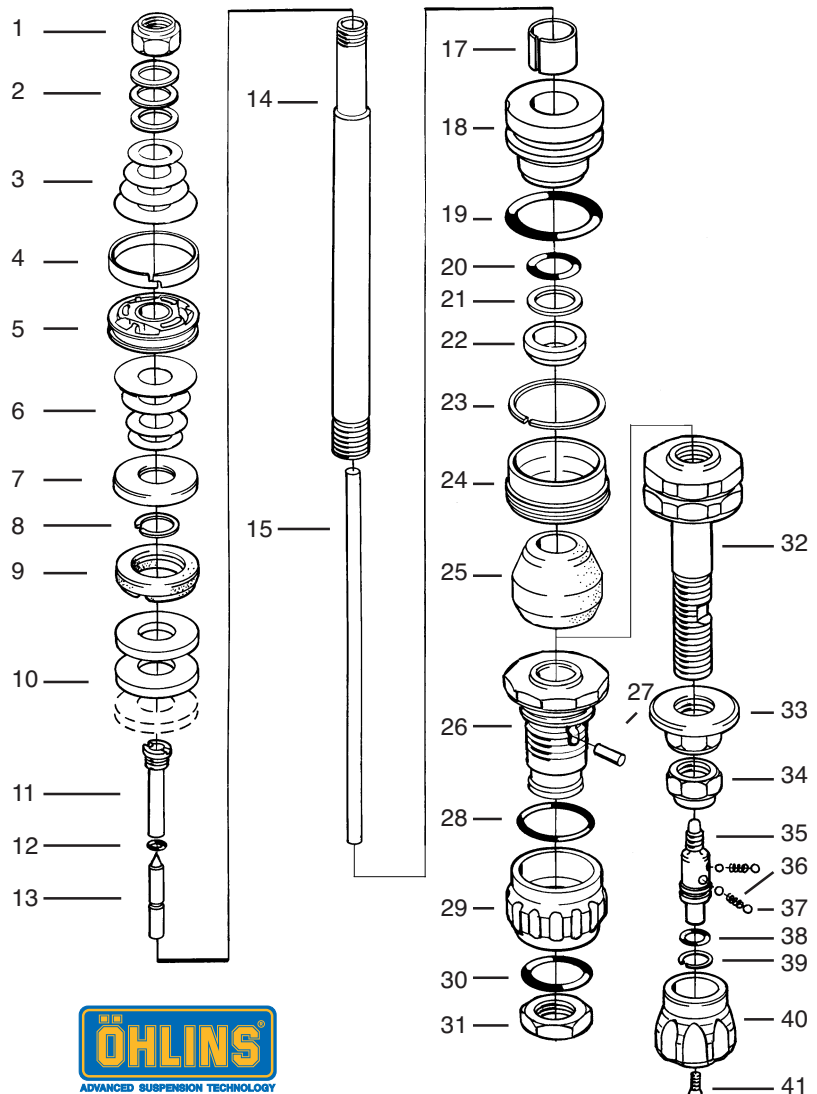


# BM 842

BMW R1100S/Front

## Piston and shaft with rebound adjuster

Fig No.	Part No	Description	Qty
05-01	00539-01	Lock nut M12x1.25/7	1
05-02	00519-07	Stop washer 12/20/2 flat	1
05-02	00578-01	Washer PS 12/18/1	3
05-04	03078-01	Piston ring 36/6	1
05-05	03077-02	Piston 12/36/1.6 bleed	1
05-07	03068-01	Stop washer 12/30/3 flat	1
05-08	00436-01	Circlip AV 12	1
05-09	03067-01	Rubber stop 13/30/6	1
05-10	03066-03	Spacer 14/30/3	8
05-11	01021-03	Shaft jet bleed 4.0	1
05-12	00338-14	O-ring 3.1x1.6 NBR70	1
05-13	01055-03	Adjustment needle dia 4.0	1
05-14	00566-87	Adj.shaft 148.6/4.5	1
05-14	03062-02	Shaft 14/165	1
05-18	03164-01	Seal head assy 14/36	1
05-19	00338-09	O-ring 29.74x3.53 NBR70	1
05-23	00128-01	Circlip 40/1.5	1
05-24	03065-01	End cap 36/14	1
05-25	03063-01	Bump rubber 14.1/34/25 NITRIL 60IRH	1
05-32	03173-01	Top mounting BMW	1
05-33	03174-01	Nut	1
05-34	03175-01	Nut	1
05-35	03176-01	Adjustment needle	1
05-36	05050-01	Spring 1.6/7.63/0.40 £	2
05-37	00884-02	Ball 2.5-G20 £	4
05-38	00338-53	O-ring 7.1x1.6 NBR70	1
05-39	01473-02	Circlip SRH 10 stainless	1
05-40	03177-01	Adjustment knob	1
05-41	00828-01	Screw DIN966 Torx A2 M3x8	£ 1



# BM 842

BMW R1100S/Front

## External reservoir

Fig No.	Part No	Description	Qty
07-00	00191-02	Sticker "ÖHLINS" blue/transp 31x72	1
07-00	00196-01	Sticker "Warning" black/transp 17x53	1
07-02	00338-24	O-ring 40.87x3.53 NBR70	1
07-03	00302-02	Reservoir 44/ 90	1
07-04	00338-26	O-ring 33x5 FKM70	1
07-05	00305-01	Reservoir piston 44	1
07-06	00340-01	Teflon band dia 44/5 55-60d shore D	1
07-07	00338-04	O-ring 33x5 NBR70	1
07-09	00161-03	Reservoir top assy 44	1
07-10	00329-01	Circlip 48/1.5	1
07-11	00338-59	O-ring 4.5x1.5 NBR70	1
07-12	01050-01	Screw DIN 7985 Torx A2 M4x6	£ 1

