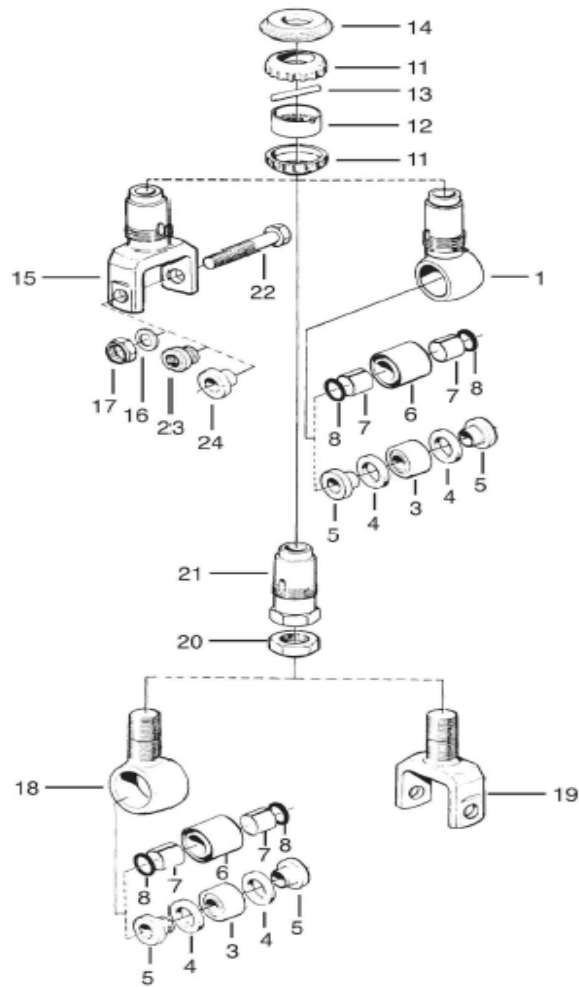
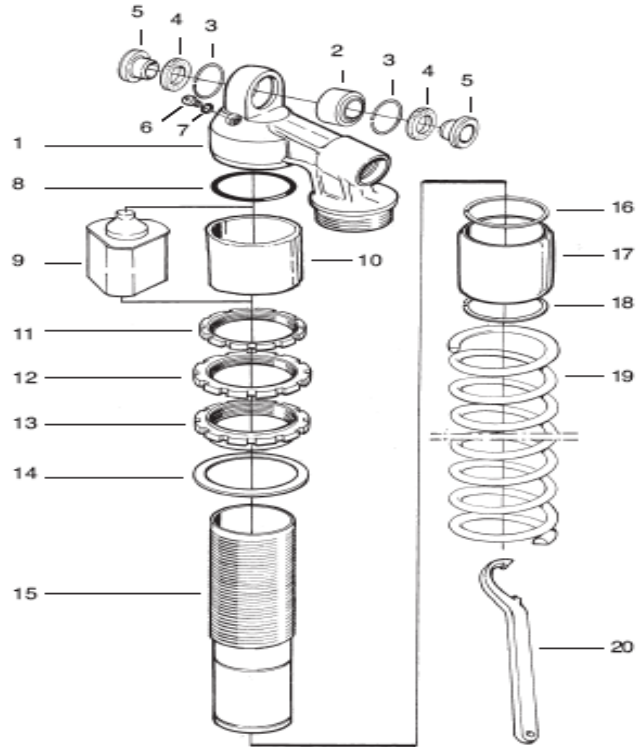


Fig.01



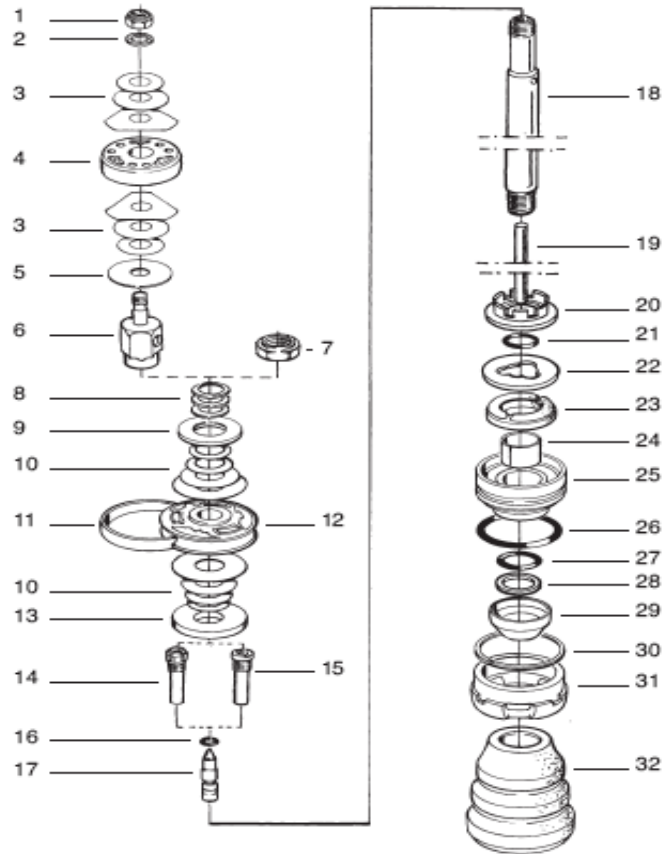
S46PR1C2Q1 BMW HP 2			BM6887
Fig No.	Part No	Description	Qty
End eye			
01-03	00536-12	Ball joint dia	2
01-04	00534-01	Seal ball joint	2
01-05	01218-49	Spacer, ball joint	2
01-11	01016-01	Seal rebound adjuster	2
01-12	01128-02	Adjustment knob	1
01-13	01030-01	Pin	1
01-14	01284-01	Stop washer	1
01-01	01297-22	End eye	1

Fig.02



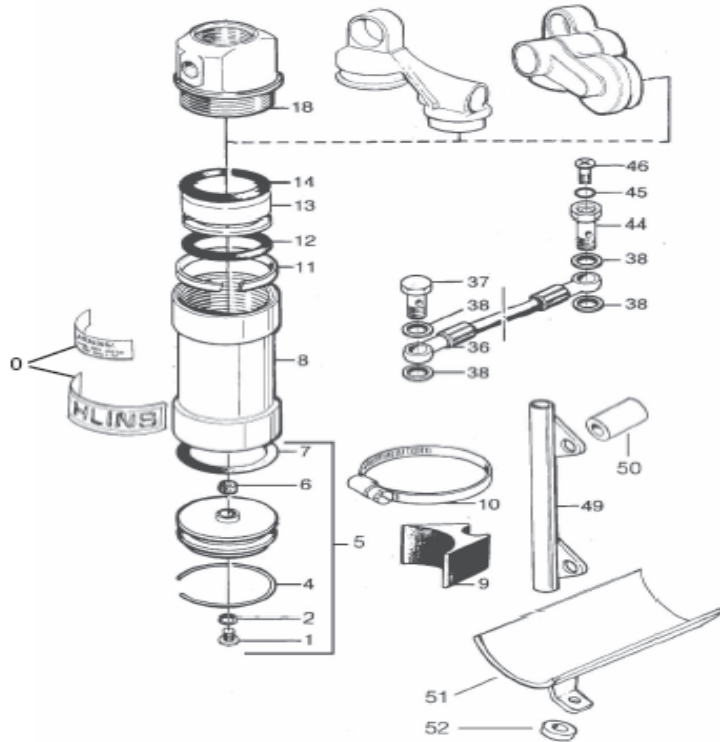
S46PR1C2Q1 BMW HP 2			BM6887
Fig No.	Part No	Description	Qty
Body tube			
02-01	04892-08	Cylinder head	1
02-02	00536-12	Ball joint	1
02-03	00557-01	Circlip	2
02-04	00534-01	Seal ball joint	2
02-05	01218-49	Spacer, ball joint	2
02-06	00382-07	Screw M5x8	1
02-07	00438-33	O-ring	1
02-08	00338-37	O-ring	1
02-09	01299-02	PDS Cup	1
	04894-01	PDS Cup Support	1
02-11	00533-01	Lock nut	1
02-12	00532-01	Lock nut	1
02-13	00531-06	Spring platform	1
02-14	00543-01	Washer	1
02-15	04210-23	Cylinder tube	1
02-16	00329-03	Circlip	2
02-17	01293-06	Sleeve	1
02-19	00580-24	Spring,	1
	00516-01	Spring clip	1

Fig.03



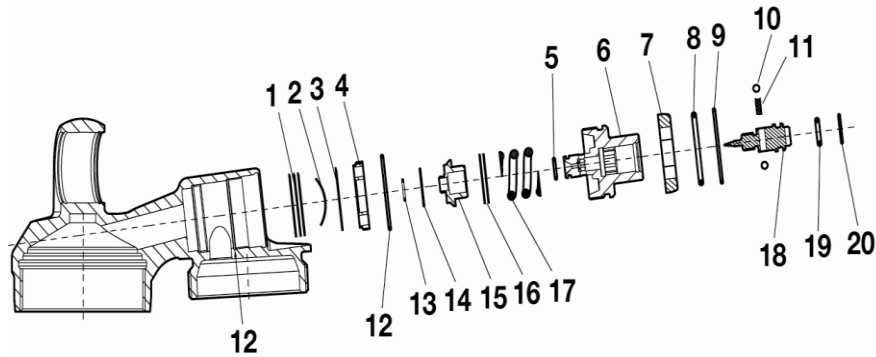
S46PR1C2Q1 BMW HP 2			BM6887
Fig No.	Part No	Description	Qty
Shaft			
03-01	00139-02	Lock nut	1
03-02	00120-03	Washer	1
03-03		Shims	see spec.card
03-04	00104-28	Piston	1
03-05	00119-07	Stop washer	1
03-06	03172-01	Piston holder	1
03-08	00578-01	Washer	1
03-09	00519-02	Stop washer	1
03-10		Shims	see spec.card
03-11	00541-01	Piston ring	1
03-12	03366-40	Piston	1
03-13	00519-04	Stop washer	1
03-14	05621-03	Shaft jet	1
03-16	00338-14	O-ring	1
03-17	05655-03	Adjustment needle	1
03-18	05500-11	Shaft	1
03-19	00566-82	Adj.shaft	1
03-22	01069-02	Spacer	1
03-23	05115-01	Stop rubber	1
03-24	01056-13	Bushing	1
03-25	05129-05	Seal head assy	1
03-26	00338-46	O-ring	1
03-27	01027-01	X-ring	1
03-28	01032-01	Back-up ring	1
03-29	01031-02	Scraper	1
03-30	00575-01	Circlip	1
03-31	01065-02	End cap	1
03-32	00563-17	Bump rubber	1

Fig.04



S46PR1C2Q1 BMW HP 2			BM6887
Fig No.	Part No	Description	Qty
Reservoir			
04-00	00191-10	Sticker "ÖHLINS" blue/transp	1
04-00	00196-01	Sticker "Warning"black/transp 17x53	1
04-01	01050-01	Screw M4x6	1
04-02	00338-59	O-ring	1
04-04	00329-04	Circlip	1
04-05	00161-04	Reservoir top assy	1
04-07	00438-27	O-ring	1
04-08	00403-07	Reservoir	1
04-11	00340-03	Teflon band	1
04-12	00438-27	O-ring	1
04-13	00405-01	Reservoir piston	1
04-14	00438-26	O-ring	1

Fig. 05



S46PR1C2Q1 BMW HP 2			BM6887
Fig no.	Part no.	Description	Qty
Comp valve			
05-01		Shims	see spec.card
05-02	04105-01	Wave washer	1
05-03		Shims	see spec.card
05-04	04104-01	Valve seat	1
05-05	00438-52	O-ring	1
05-06	04101-01	End piece	1
05-07	02408-01	Dust seal	1
05-08	00438-02	O-ring	1
05-09	00557-01	Circlip	1
05-10	00884-04	Ball	2
05-11	01248-01	Spring	1
05-12	00557-01	Circlip	1
05-13	01499-04	Circlip	1
05-14		Shims	see spec.card
05-15	04103-01	Poppet valve	1
05-16		Shims	see spec.card
05-17	04107-04	Spring,	1
05-18	01242-03	Adjustment needle	1
05-19	00338-53	O-ring	1
05-20	01473-02	Circlip	1