

***Shock Absorber TTX36 BMW R1200GS Front***

***BM 6771***

**Spare Parts List**





ADVANCED SUSPENSION TECHNOLOGY

## Safety Precautions

### **Note!**


*The shock absorber is a very important part of the vehicle and will therefore affect the stability.*


 *Read and make sure that you understand the information in this manual and the mounting instructions before you use this product. If you have any questions regarding installation or maintenance please contact your nearest Öhlins dealer.*

 *Öhlins Racing AB can not be held responsible for any damage to the shock absorber, vehicle, other property or injury to persons, if the instructions for installing and maintenance are not followed exactly.*

### **Warning!**


*This product was developed and designed exclusively for a specific vehicle model and should only be installed on the intended vehicle model in its original condition as delivered from the vehicle manufacturer.*

 *This product contains pressurized nitrogen gas (N<sup>2</sup>). Do not open, service or modify this product without proper education (authorized Öhlins dealer/distributor) or proper tools.*

 *After installing this product, take a test ride at low speed to make sure that your vehicle has maintained its stability.*

### **Note!**

*When working on this product, always consult your Vehicle Service Manual.*

 *This Manual should be considered as a part of the product and should therefore accompany the product throughout its life cycle.*

## Safety Symbols

In this manual, mounting instructions and other technical documents, important information concerning safety is distinguished by the following symbols:



*The Safety Alert Symbol means: Warning! Your safety is involved.*

### **Warning!**

*The Warning Symbol means: Failure to follow warning instructions can result in severe or fatal injury to anyone working with, inspecting or using the shock absorber, or to bystanders.*

### **Caution!**

*The Caution Symbol means: Special precautions must be taken to avoid damage to the shock absorber.*

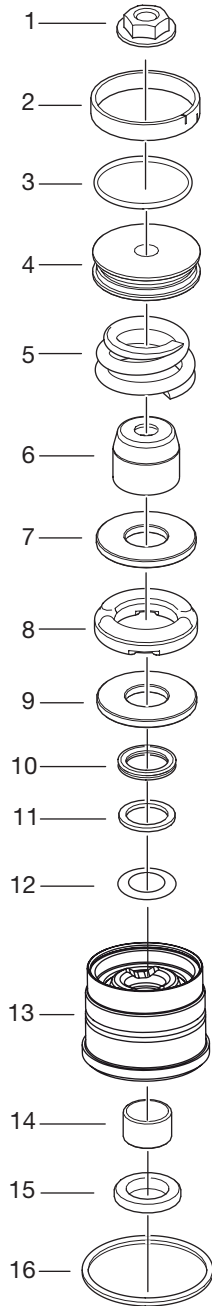
### **Note!**

*The Note Symbol indicates information that is important regarding procedures.*

© Öhlins Racing AB. All rights reserved. Any reprinting or unauthorized use without the written permission of Öhlins Racing AB is prohibited.  
Printed in Sweden.

Figure 1

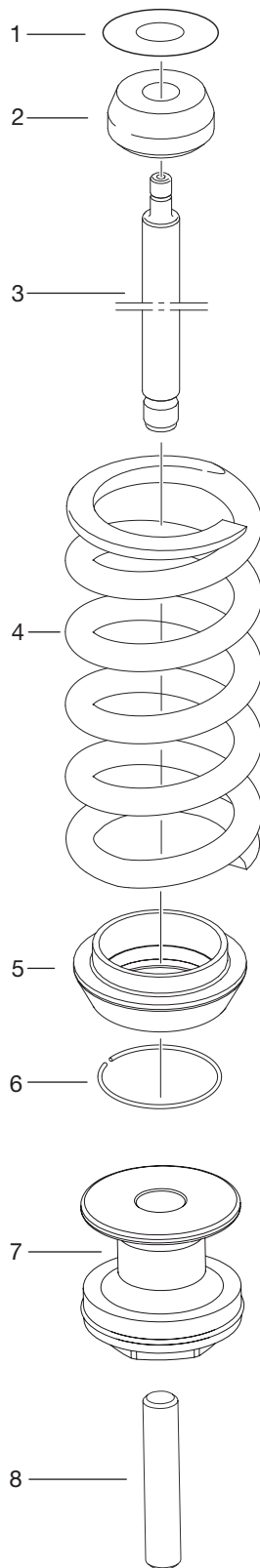
Seal head assy



Pos	Part No	Pcs	Description	Notes
1-1	00139-03	1	Lock nut	
1-2	21018-01	1	Piston band	
1-3	00438-66	1	O-ring	
1-4	21015-03	1	Piston	
1-5	21031-09	1	Top out spring	
1-6	21032-03	1	Top out spring guide	
1-7	21028-05	3	Spacer	
	<b>21025-02</b>	<b>1</b>	<b>Seal head assy</b>	
1-8	03067-02	1	Stop rubber	
1-9	04752-02	1	Washer	
1-10	04717-02	1	Seal	
1-11	01032-09	1	Back up ring	
1-12	04729-02	1	Shim	
1-13	21026-02	1	Seal head	
1-14	01056-15	1	Bushing	
1-15	03070-01	1	Scraper	
1-16	00338-02	1	O-ring	

Figure 2

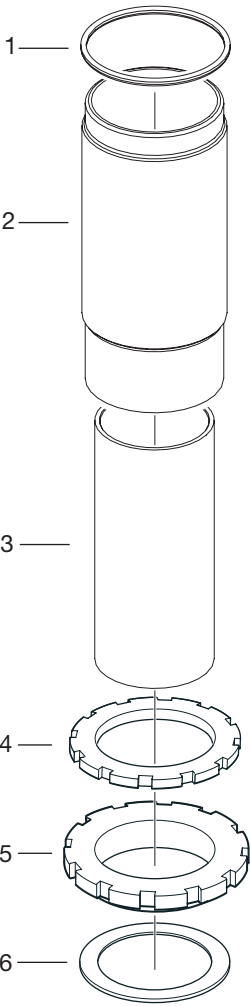
## Shaft assy



Pos	Part No	Pcs	Description	Notes
2-1	00250-04	1	Washer	
2-2	21029-01	1	Bump rubber	
2-3	21001-13	1	Shaft	
2-4	21067-09	1	Spring	<i>Standard</i>
2-5	21036-03	1	Spring clip	
2-6	00329-15	1	Circlip	
2-7	21120-05	1	End piece	
2-8	00441-12	1	Stud	

Figure 3

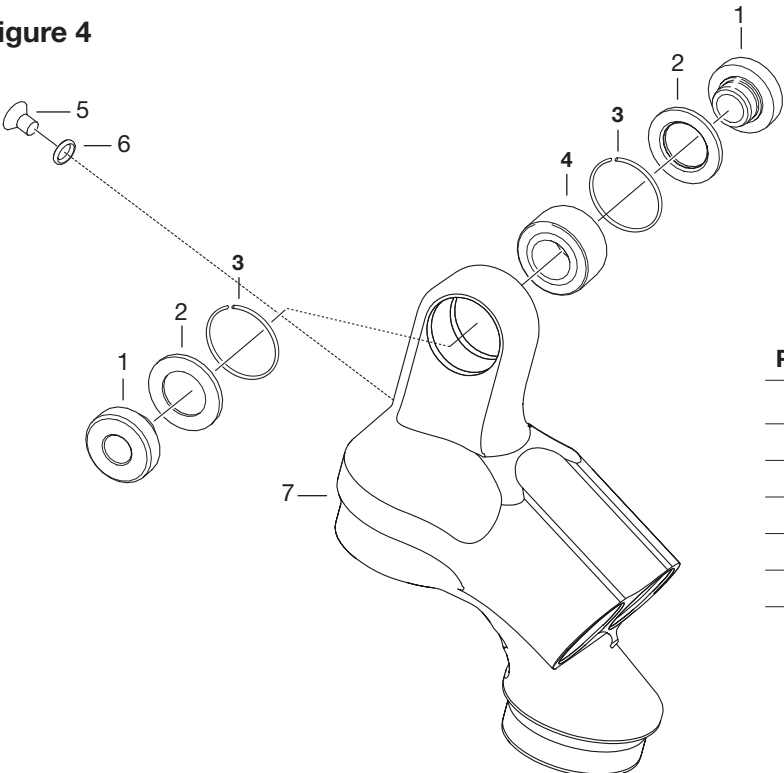
Cylinder tube assy



Pos	Part No	Pcs	Description	Notes
3-1	00576-03	1	O-ring	
3-2	21727-02	1	Outer tube	
3-3	21737-02	1	Inner tube	
3-4	21033-01	1	Lock nut	
3-5	21034-01	1	Spring platform	
3-6	21035-01	1	Washer	

Figure 4

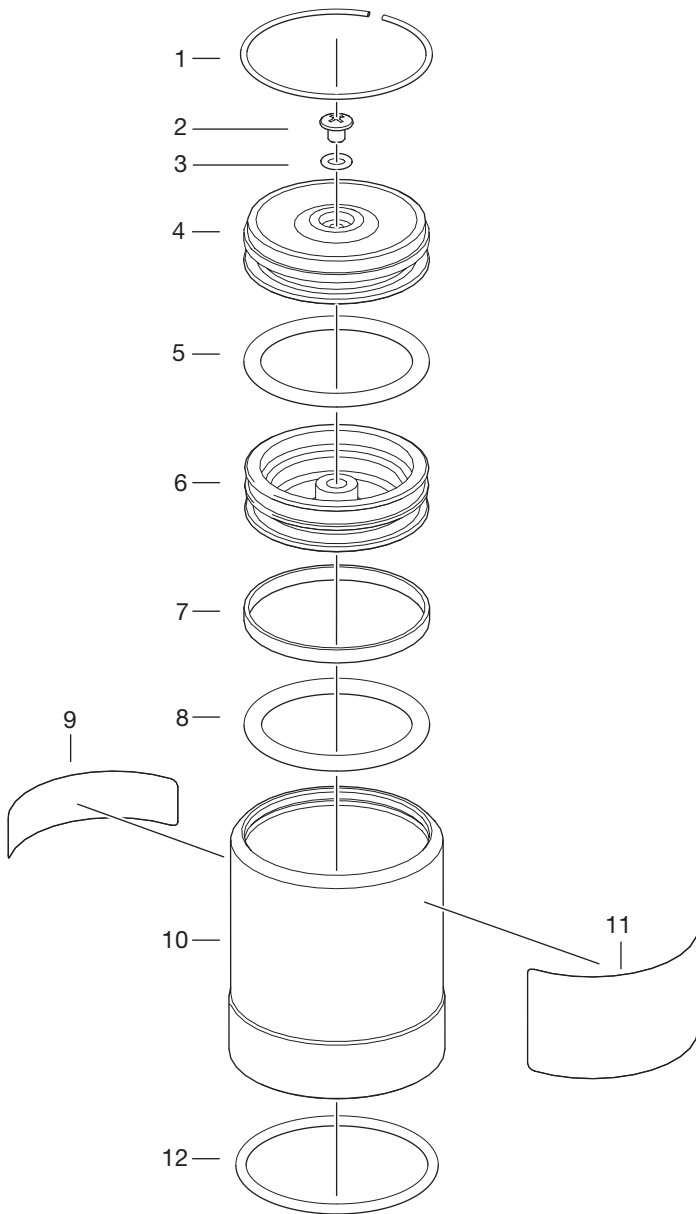
Cylinder head assy



Pos	Part No	Pcs	Description	Notes
4-1	01218-12	2	Spacer, ball joint	
4-2	00534-01	2	Seal ball joint	
4-3	00557-01	2	Circlip	
4-4	00536-13	1	Ball joint	
4-5	00382-07	1	Screw	
4-6	00438-33	1	O-ring	
4-7	21070-20	1	Cylinder head	

Figure 5

Reservoir assy

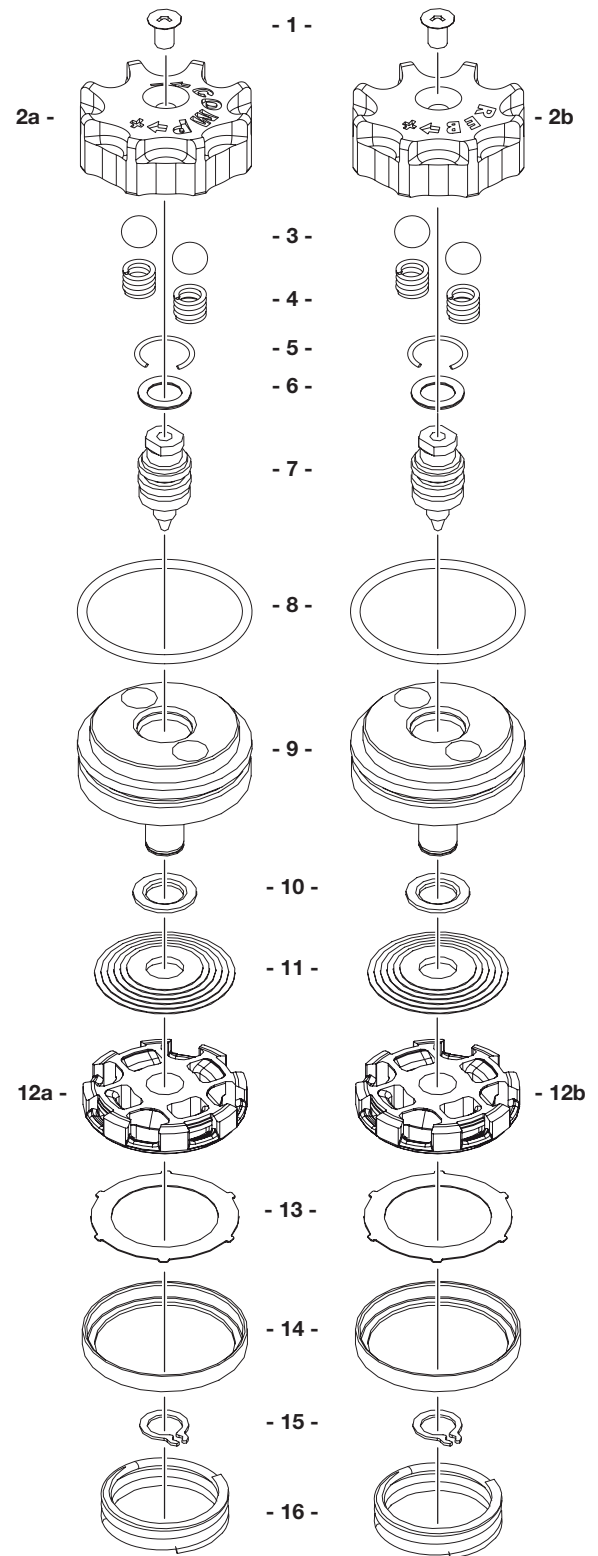


Pos	Part No	Pcs	Description	Notes
5-1	00329-01	1	Circlip	
5-2	01050-01	1	Screw	
5-3	00338-59	1	O-ring	
5-4	00161-03	1	Reservoir top assy	
5-5	00338-04	1	O-ring	
5-6	00305-01	1	Piston	
5-7	00340-01	1	Teflon band	
5-8	00338-26	1	O-ring	
5-9	00196-01	1	Sticker "Warning"	
5-10	00302-02	1	Reservoir	
5-11	00191-02	1	Sticker "Öhlins"	
5-12	00338-24	1	O-ring	

Fig.6

Comp. /rebound assy

Pos	Part No.	Pcs	Description	Type/Remarks
6-1	00828-01	2	Screw	
6-2a	21050-20	1	Knob adj. comp.	<i>Compression</i>
6-2b	21050-21	1	Knob adj. reb.	<i>Rebound</i>
6-3	00884-07	4	Ball	
6-4	00833-01	4	Spring	
6-5	01473-06	2	Circlip	
6-6	00338-79	2	O-ring	
6-7	01242-06	2	Adjustment needle	
6-8	00438-02	2	O-ring	
6-9	21043-02	2	End piece	
6-10	-	2	Washer	<i>See spec. card</i>
6-11	-	2	Shims	<i>See spec. card</i>
6-12a	21044-25	1	Valve	<i>Compression</i>
6-12b	21044-30	1	Valve	<i>Rebound</i>
6-13	21045-02	2	Check valve	
6-14	21047-01	2	Check valve housing	
6-15	05009-06	2	Circlip	
6-16	21046-15	2	Check valve spring	



Your Öhlins retailer:

Öhlins Racing AB  
Box 722  
SE-194 27, Upplands Väsby  
Sweden

Phone: +46 (0)8 590 025 00  
Fax: +46 (0)8 590 025 80  
[www.ohlins.com](http://www.ohlins.com)



[www.ohlins.com](http://www.ohlins.com)