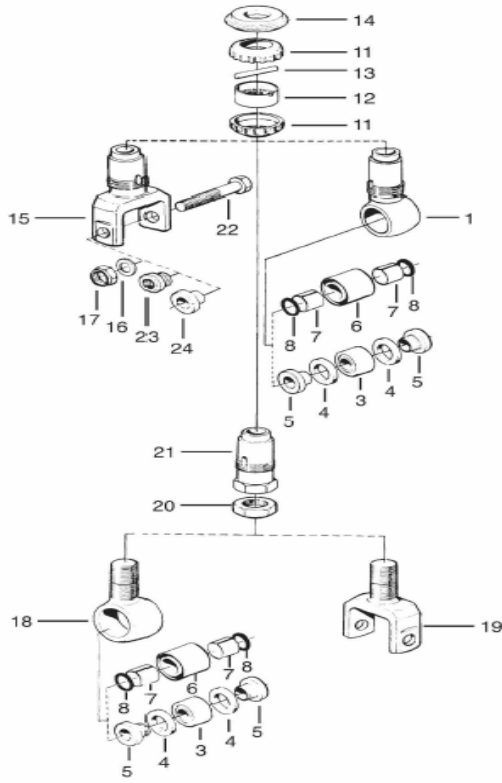
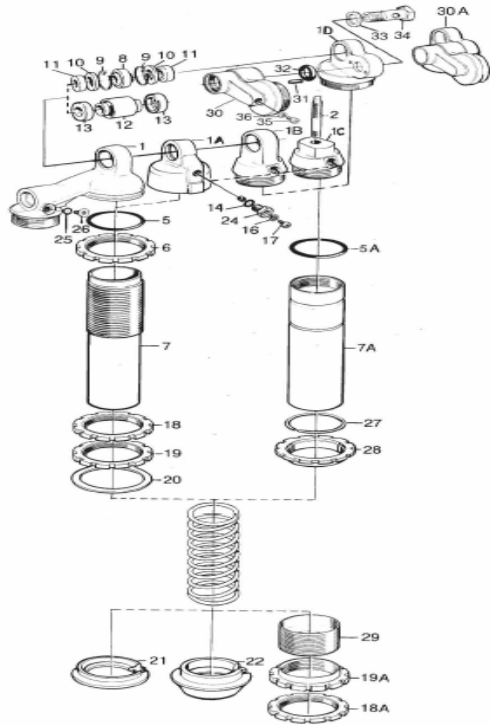


Fig. 01



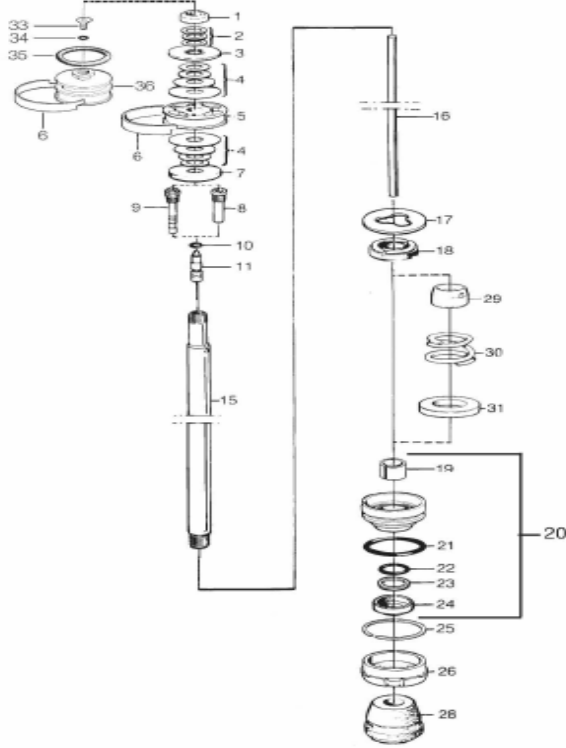
			46DR1S	46DR1S	46DR1S
			BM 436	BM 508	BM 536
BMW R 1150 GS					
Fig No.	Part No	Description	Qty		
01-01	01054-07	End eye	1	1	1
01-03	00536-02	Balljoint	1	1	1
01-04	00534-01	Seal	2	2	2
01-05	01018-18	Spacer	2	2	2
01-11	01016-01	Seal rebound adjuster	2	2	2
01-12	01128-01	Adjustment knob	1	1	1
01-13	01030-01	Pin	1	1	1
01-14	01017-01	Stop washer	1	1	1

Fig.02



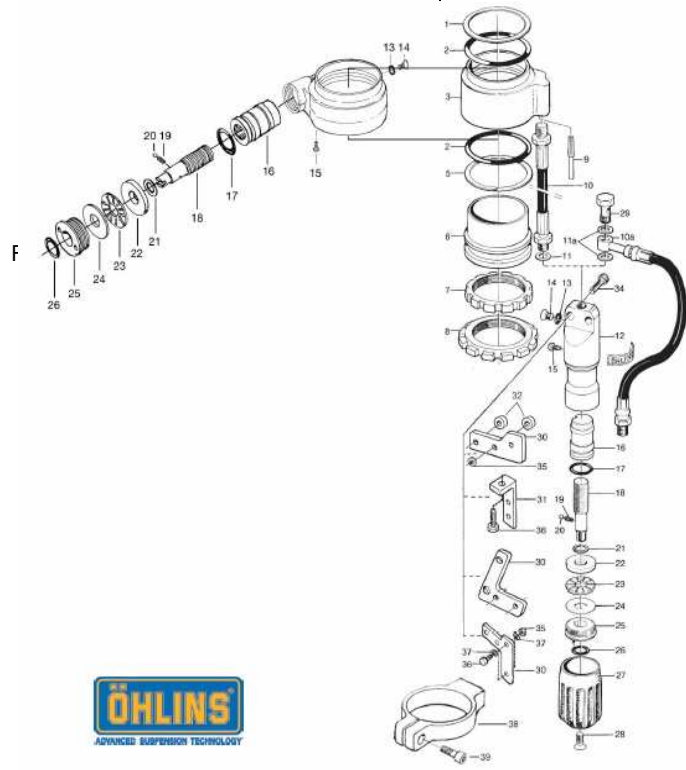
		BMW R 1150 GS		
		46DR1S	46DR1S	46DR1S
		BM 436	BM 508	BM 536
Fig No.	Part No	Description	Qty	
Body tube				
	02-01B	01282-03	Cylinder head	1
	02-05A	00338-32	O-ring	1
	02-07A	04211-14	Cylinder tube	1
	02-08	00536-02	Ball joint	1
	02-10	00534-01	Seal	2
	02-11	01018-39	Spacer	2
	02-14	00338-07	O-ring	1
	02-16	00338-59	O-ring	1
	02-17	01050-01	Screw	1
	02-20	00543-01	Washer	1
	02-22	00629-01	Spring clip	1
	02-24	00603-03	Valve assy	1
		00698-54	Spring	1
		00698-64	Spring	
		00196-01	Sticker Varning	1
		00191-06	Sticker Öhlins	1

Fig. 03



		BMW R 1150 GS			
		46DR1S	46DR1S	46DR1S	
		BM 436	BM 508	BM 536	
Fig No.	Part No	Description		Qty	
Shaft					
03-01	00539-01	Lock nut	1	1	1
03-02	00578-01	Washer	5	5	5
03-03	00519-07	Stop washer	1	1	1
03-05	01114-14	Piston	1	1	1
03-06	00541-01	Piston ring	2	2	2
03-07	00519-08	Stop washer top out	1	1	1
03-08	05621-04	Valve	1	1	1
03-10	00338-14	O-ring	1	1	1
03-11	05655-04	Adjustment needle	1	1	1
03-15	05500-09	Shaft	1	1	1
03-16	00566-23	Adj.shaft	1	1	1
03-17	01069-02	Spacer		1	
03-17	01069-03	Spacer	2	4	2
03-18	05115-01	Stop rubber	1	1	1
03-19	01056-13	Bushing	1	1	1
03-20	05129-04	Seal head assy	1	1	1
03-21	00576-01	O-ring	1	1	1
03-22	01027-01	X-ring	1	1	1
03-23	01032-01	Back-up ring	1	1	1
03-24	01031-02	Scraper	1	1	1
03-25	00575-01	Circlip	1	1	1
03-26	01065-02	End cap	1	1	1
03-28	00563-03	Bump rubber	1	1	1
03-29	01132-02	Spring guide	1	1	1
03-30	01131-02	Spring	1	1	1
03-31	01269-02	Spacer	1	1	1
03-33	00382-01	Screw	1	1	1
03-34	00338-01	O-ring	1	1	1
03-35	00338-13	O-ring	1	1	1
03-36	01005-01	Piston diam	1	1	1

Fig.06



		BMW R 1150 GS			
		46DR1S	46DR1S	46DR1S	
		BM 436	BM 508	BM 536	
Fig No.	Part No	Description	Qty		
Preload adj.					
	06-01	03611-01 Support ring	1	1	1
	06-02	00338-90 O-ring	2	2	2
	06-03	03607-01 Preload housing	1	1	1
	06-05	03610-01 Support ring	1	1	1
	06-06	03606-01 Inner sleeve	1	1	1
	06-07	03609-01 Lock nut	1	1	1
	06-08	03608-01 Guide nut	1	1	1
	06-09	03613-01 Pin	1	1	1
	06-10	01042-02 Hose	1	1	1
	06-11a	01048-01 Seal washer	2	2	2
	06-12	03600-02 Adj.cylinder	1	1	1
	06-13	00338-79 O-ring	1	1	1
	06-14	00382-07 Screw	1	1	1
	06-15	03601-02 Guide screw	1	1	1
		03614-01 Seal washer for guide screw	1	1	1
	06-16	03604-02 Piston	1	1	1
	06-17	00338-71 O-ring	1	1	1
	06-18	03602-02 Adj. screw	1	1	1
	06-19	03083-01 Spring	1	1	1
	06-20	00884-03 Ball	1	1	1
	06-21	00131-03 Circlip	1	1	1
	06-22	03072-02 Thrust washer thick	1	1	1
	06-23	01023-02 Thrust needle bearing	1	1	1
	06-24	03073-02 Thrust washer thin	1	1	1
	06-25	03603-01 Cover	1	1	1
	06-26	00338-88 O-ring	1	1	1
	06-27	03605-01 Adjustment wheel preload.clear	1	1	1
	06-28	00382-08 Screw	1	1	1
	06-29	00831-02 Banjo bolt	1	1	1
	06-30	01082-01 Bracket	1	1	1
		02267-05 Bracket hyd.pld.outer	1	1	1
		02267-06 Bracket hyd.pld.inner	1	1	1
		01046-01 Screw M6x16	2	2	2
		00430-02 Nut	2	2	2
		05404-07 Screw M6x30	2	2	2
		01046-22 Screw M8x16	1	1	1
		00153-01 Washer 8x16	2	2	2
		00153-04 Washer 6x12	2	2	2