

BM 425

BMW R 1100 / 1150 GS Front



Öhlins shock absorber 46 ER

Your Öhlins shock absorber type 46 ER features the following adjusters:

Compression damping adjuster

Adjustments are made on top of the reservoir.

Rebound damping adjuster

Adjuster wheel on the piston shaft above the end bracket.

Spring preload adjuster

Adjustments are made by turning the rings on the shock absorber body. Clockwise for harder adjustment, counter clockwise too release the preload.

NOTE!

When delivered the Öhlins shock absorber is dialed to recommended settings for the specific brand and make of the motorcycle. If you have changed the setting check like this:

The adjusters have a normal right hand thread. Turn the damping adjusters clockwise to fully closed (pos. zero [0]). Turn counter clockwise to open and count the clicks until you reach the recommended number of clicks. See Setup data at last page.

CAUTION!

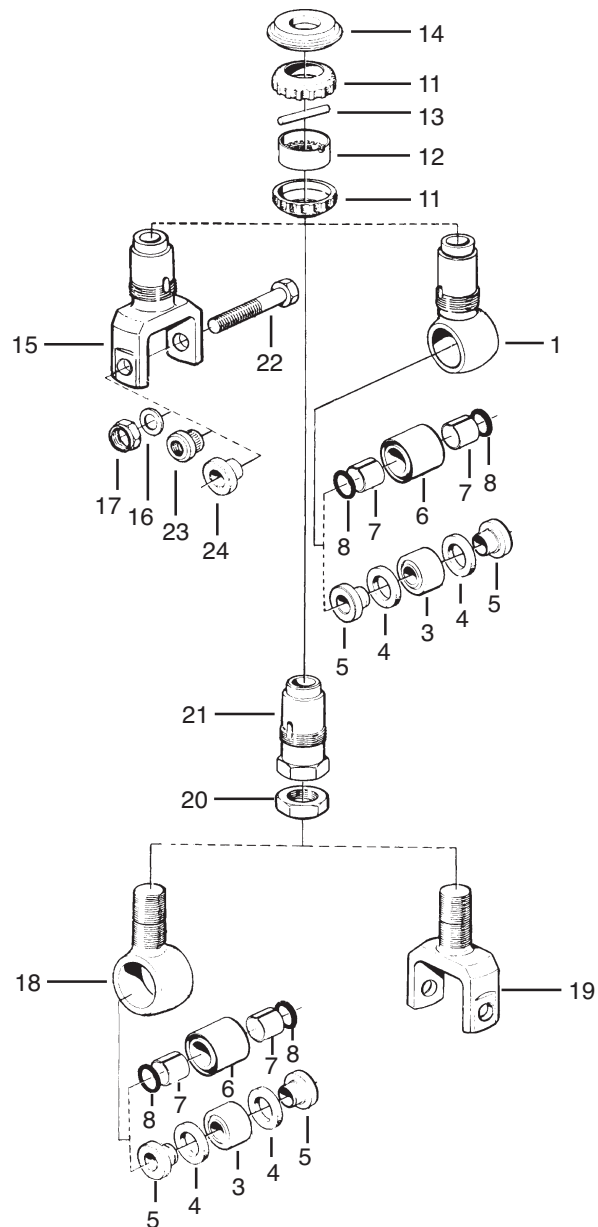
Do not use too much force, delicate sealing surfaces can be damaged.

BM 425

BMW R 1100 / 1150 GS
Front

End eye

| FigNo. | Part No | Description | Qty |
|--------|----------|---------------------------|-----|
| 01-01 | 01054-03 | End eye 16/53/26 | 1 |
| 01-03 | 00536-02 | Ball joint dia 14/26/15 | 1 |
| 01-04 | 00534-01 | Seal ball joint 16/26/3.5 | 2 |
| 01-05 | 01018-12 | Spacer, ball joint 10x30 | 2 |
| 01-11 | 01016-01 | Seal rebound adjuster | 2 |
| 01-12 | 01128-01 | Adjustment knob 25/33.1 | 1 |
| 01-13 | 01030-01 | Pin 4x30 CPr h8 | 1 |
| 01-14 | 01017-01 | Stop washer 20/46/10 | 1 |

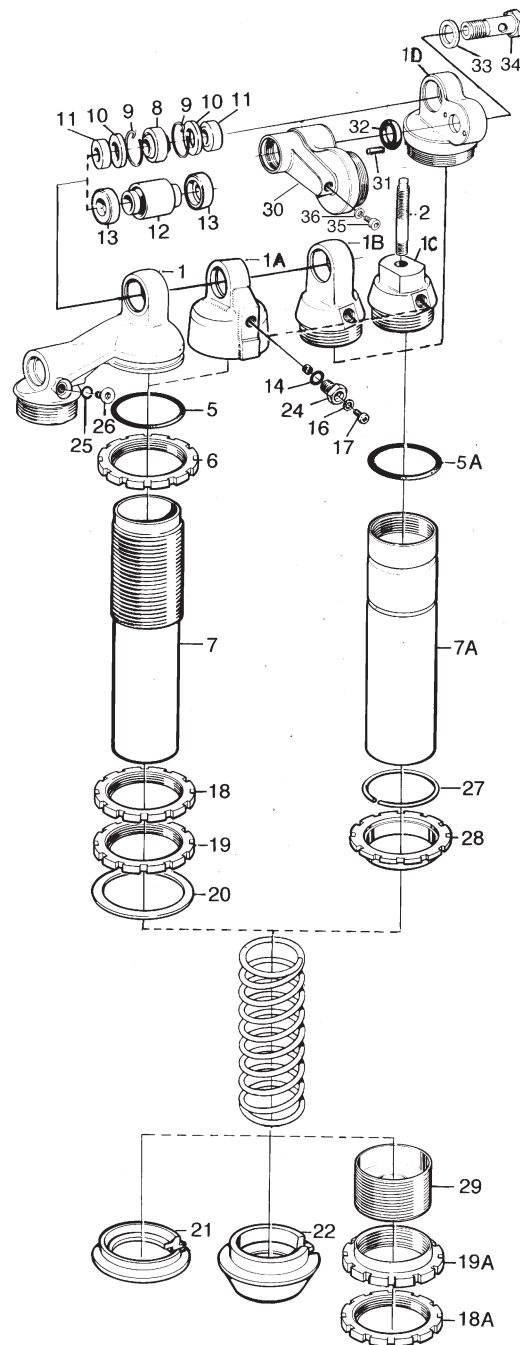


BM 425

BMW R 1100 / 1150 GS
Front

Body tube

| Fig No. | Part No | Description | Qty |
|---------|----------|---------------------------------|-----|
| 02-02 | 00441-01 | Stud M10/M10x1.25 /63 | 1 |
| 02-16 | 00338-59 | O-ring 4.5x1.5 NBR70 | 1 |
| 02-17 | 01050-01 | Screw MRX-H 4x6 stainless | 1 |
| 02-18 | 00532-01 | Lock nut 52/73 | 1 |
| 02-18A | 01174-01 | Lock nut M55x1.5/5 | 1 |
| 02-19 | 00531-01 | Spring platform 52/56.5/73 | 1 |
| 02-19A | 01173-01 | Spring seat 55/56.5/73 | 1 |
| 02-1C | 01281-01 | Cylinder head, nipple, pin 46 | 1 |
| 02-20 | 00543-01 | Washer 57/73/1 | 1 |
| 02-24 | 00603-01 | Valve gas assy with rubber unit | 1 |
| 02-27 | 01025-01 | Circlip 49/2.5 | 1 |
| 02-28 | 01076-03 | Guide ring, spring 52.2/73/15 | 1 |
| 02-29 | 01172-01 | Sleeve M55/x1.5/3 | 1 |
| 02-5A | 00338-32 | O-ring 44.12x2.62 NBR70 | 1 |
| 02-7A | 01110-13 | Cylinder tube 46/154 | 1 |



[Back to contents](#)



BM 425

BMW R 1100 / 1150 GS
Front

Shaft

| Fig No. | Part No | Description | Qty |
|---------|----------|-------------------------------------|-----|
| 03-01 | 00539-01 | Lock nut M12x1.25/7 | 1 |
| 03-02 | 00578-01 | Washer PS 12/18/1 | 6 |
| 03-05 | 01114-14 | Piston 12/46 | 1 |
| 03-06 | 00541-01 | Piston ring 46 (INA 781561-1) | 1 |
| 03-07 | 00519-08 | Stop washer 12/37/4 TOP-OUT | 1 |
| 03-08 | 05621-03 | Shaft jet bleed 4/M7/37.7 | 1 |
| 03-10 | 00338-14 | O-ring 3.1x1.6 NBR70 | 1 |
| 03-11 | 05655-03 | Adjustment needle diam.4 | 1 |
| 03-15 | 05500-10 | Shaft 16/193 | 1 |
| 03-16 | 00566-60 | Adj.shaft 133.6/4.5 | 1 |
| 03-20 | 01029-03 | Seal head assy 46/16 without 815 | 1 |
| 03-21 | 00576-01 | O-ring 40.2x3 NBR70 | 1 |
| 03-22 | 01027-01 | X-ring 15.54x2.62 NBR 88 | 1 |
| 03-23 | 01032-01 | Back-up ring 16/20.6/1.4 PTFE | 1 |
| 03-24 | 01031-02 | Scraper 16/26x8/5.5 | 1 |
| 03-25 | 00575-01 | Circlip SB 46, stainless | 1 |
| 03-26 | 01065-01 | End cap 46/16 | 1 |
| 03-28 | 00563-03 | Bump rubber 16/47/19 PUR 650 | 1 |
| 03-29 | 01132-02 | Stop washer topout spr.16-5-5500 | 1 |
| 03-30 | 01131-01 | Stop spring 24.5/21.5/7 | 1 |
| 03-31 | 01133-01 | Spacer, top out spring 38.5/23/4.5 | 1 |
| | 00196-01 | Sticker "Warning"black/transp 17x53 | 1 |
| | 00710-02 | C-spanner single | 1 |

