

Shock absorber TTX GP BMW S1000R

BM 3650

Spare Parts List



SAFETY PRECAUTIONS

⚠ Warning!

The shock absorber/front fork/steering damper is an important part of the vehicle and will affect the stability.

⚠ Warning!

After installing the Öhlins product, take a test ride at low speed to make sure your vehicle has maintained stability.

⚠ Warning!

Some of Öhlins products contain pressurized nitrogen gas (N₂). Do not open, service or modify pressurized products without proper education (approved Öhlins dealer/distributor) and proper tools.

👁 Note!

Read and ensure you understand the information in this manual and other technical documents provided by Öhlins, before you use the product.

👁 Note!

Öhlins Racing AB can not be held responsible for any damage to the shock absorber/front fork/steering damper, vehicle, other property or injury to persons, if the instructions for mounting, usage and maintenance are not obeyed.

⚠ Warning!

If the suspension makes an abnormal noise, or the function is irregular, or if you notice any leakage from the product, stop the vehicle immediately and return the product to an Öhlins Service Centre.

⚠ Warning!

The product warranty shall only apply if the product has been operated and maintained in accordance with recommendations in this manual. If you have any questions regarding usage, service, inspection and/or maintenance contact Öhlins.

👁 Note!

When working with the Öhlins product, read the Vehicle Service Manual.

⚠ Warning!

This product was developed and designed exclusively for a specific vehicle model and shall only be installed on the intended vehicle model in its original condition as delivered from the vehicle manufacturer.

CONTENTS

Figure 1 - Seal head/ Piston.....	3
Figure 2 - Shaft assembly	4
Figure 3 - Cylinder tubes.....	5
Figure 4 - Cylinder head	5
Figure 5 - Reservoir assembly	6
Figure 6 - Preload housing.....	7
Figure 7 - Adjustment cylinder.....	7
Figure 8 - Compression and rebound adjuster	8

SAFETY SYMBOLS

In this manual, mounting instructions and other technical documents, important information concerning safety is distinguished by the following symbols:



The Safety Alert Symbol means: Warning! Your safety is involved.

⚠ Warning!

The Warning Symbol means: Failure to follow warning instructions can result in severe or fatal injury to anyone working with, inspecting or using the shock absorber, or to bystanders.

👁 Caution!

The Caution Symbol means: Special precautions must be taken to avoid damage to the shock absorber.

👁 Note!

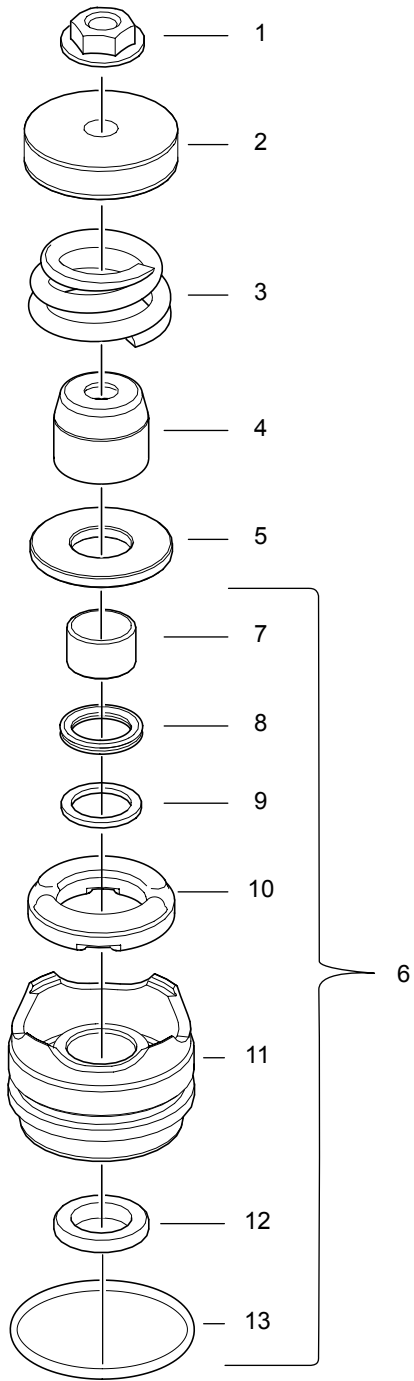
The Note Symbol indicates information that is important regarding procedures.

© Öhlins Racing AB. All rights reserved.

Any reprinting or unauthorized use without the written permission of Öhlins Racing AB is prohibited.

SPL BM 3650

Figure 1 - Seal head/ Piston

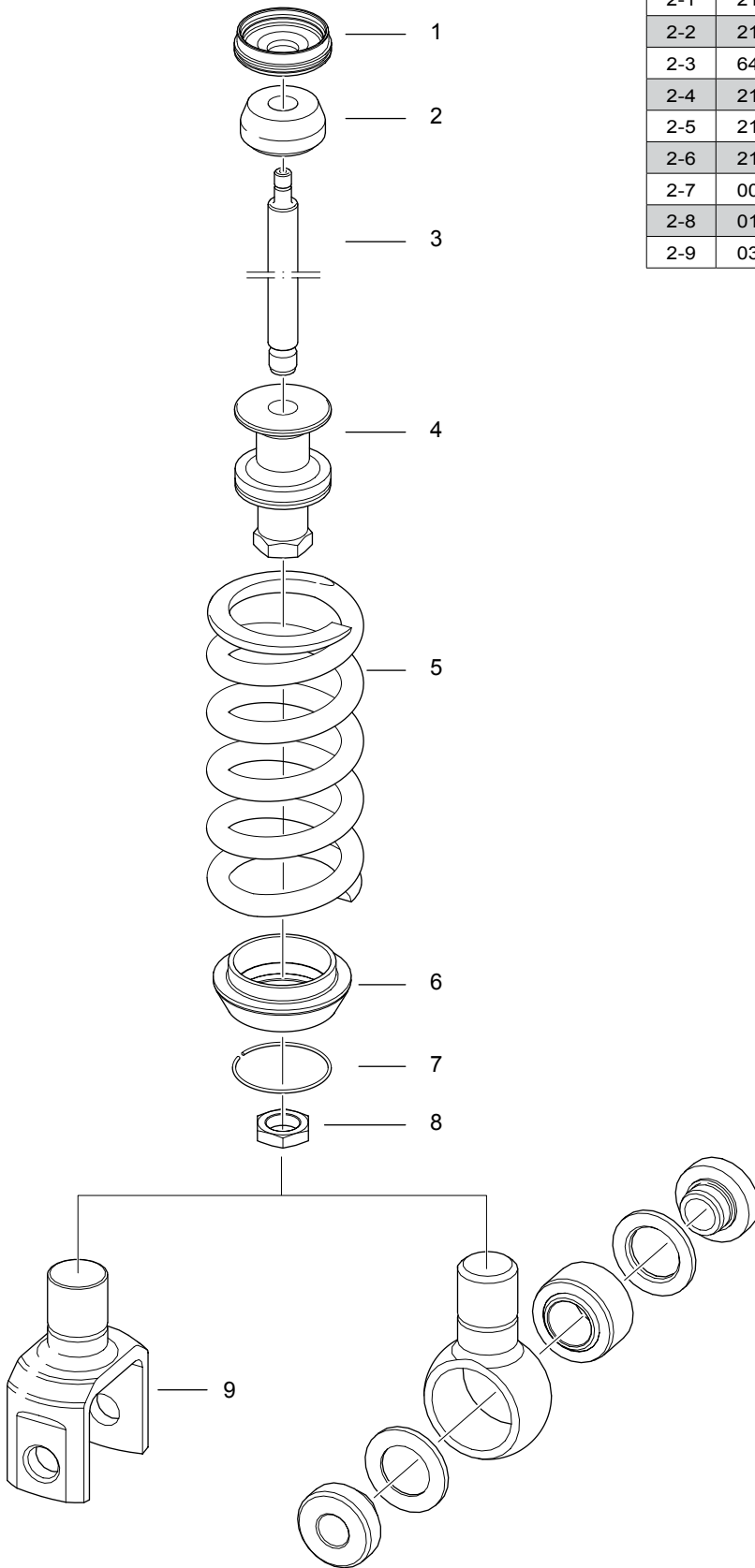


Pos	Part No	Pcs	Description	Notes
1-1	21855-01	1	Lock nut	
1-2	21015-09	1	Piston with band	
1-3	21031-12	1	Top out spring	
1-4	21848-02	1	Top out spring guide	
1-5	21028-03	2	Spacer	
1-6	21025-03	1	Seal head assy	
1-7	01056-15	1	Bushing	
1-8	04717-01	1	Seal	
1-9	01032-31	1	Back-up ring	
1-10	21027-01	1	Stop rubber	
1-11	21026-03	1	Seal head	
1-12	03070-01	1	Scraper	
1-13	00338-02	1	O-ring	

SPL BM 3650

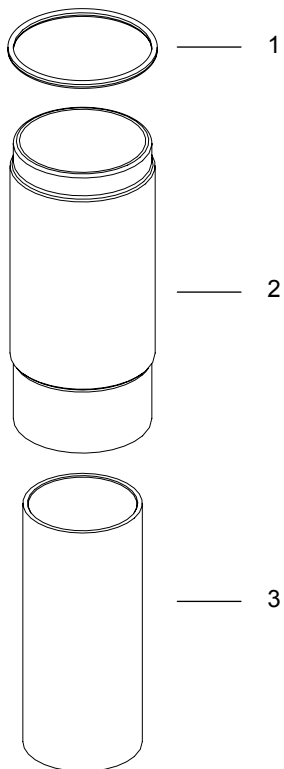
Figure 2 - Shaft assembly

Pos	Part No	Pcs	Description	Notes
2-1	21030-01	1	End cap	
2-2	21029-01	1	Bump rubber	
2-3	64103-13	1	Shaft	
2-4	21020-20	1	Shaft extension	
2-5	21040-21	1	Spring	Standard
2-6	21036-03	1	Spring clip	
2-7	00329-15	1	Circlip	
2-8	01059-01	1	Nut	
2-9	03160-12	1	End bracket	



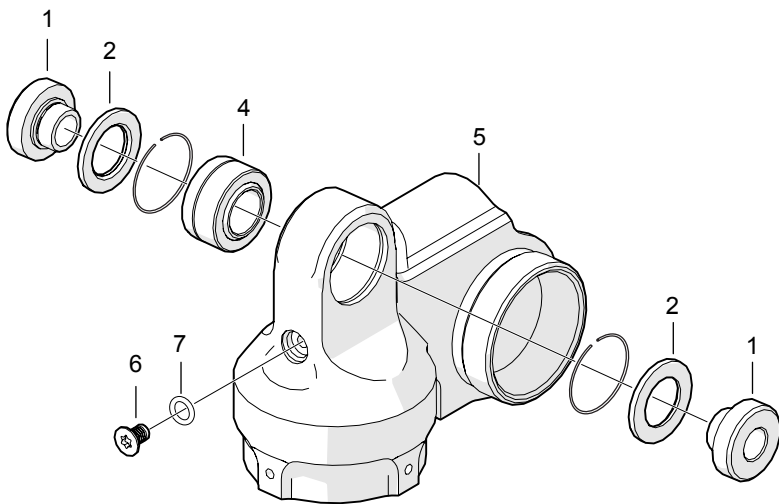
SPL BM 3650

Figure 3 - Cylinder tubes



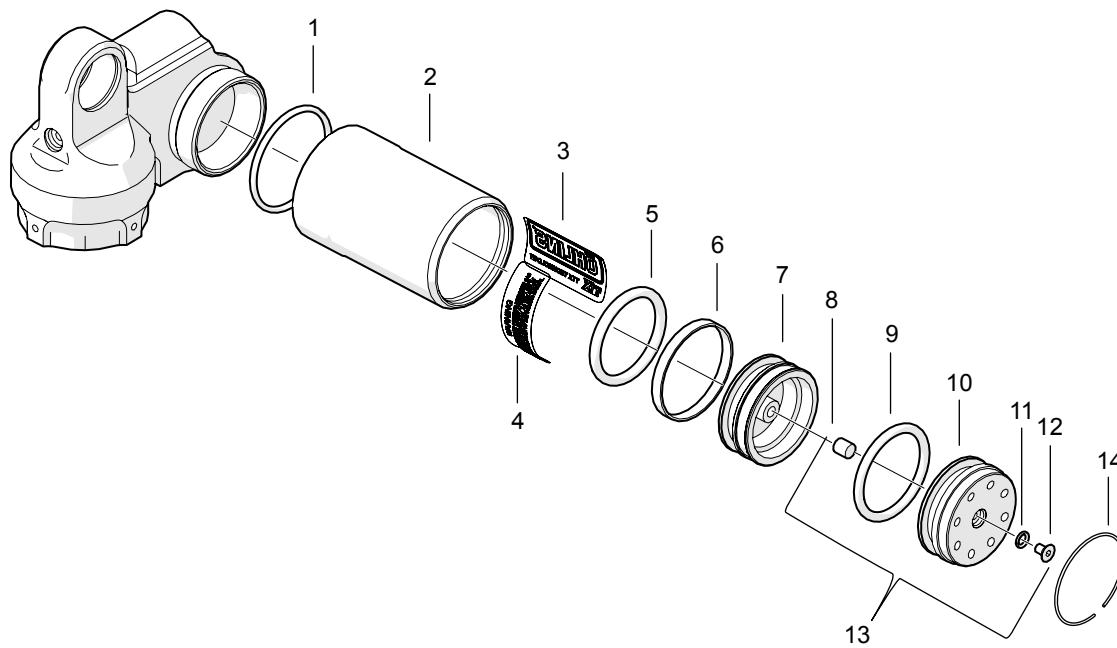
Pos	Part No	Pcs	Description	Notes
3-1	00576-03	1	O-ring	
3-2	21011-07	1	Outer tube	
3-3	21006-07	1	Inner tube	

Figure 4 - Cylinder head



Pos	Part No	Pcs	Description	Notes
4-1	01218-12	2	Spacer, ball joint	
4-2	00534-01	2	Seal ball joint	
4-4	00536-13	1	Ball joint	
4-5	21070-17	1	Cylinder head	
4-6	00382-07	1	Screw	
4-7	00438-33	1	O-ring	

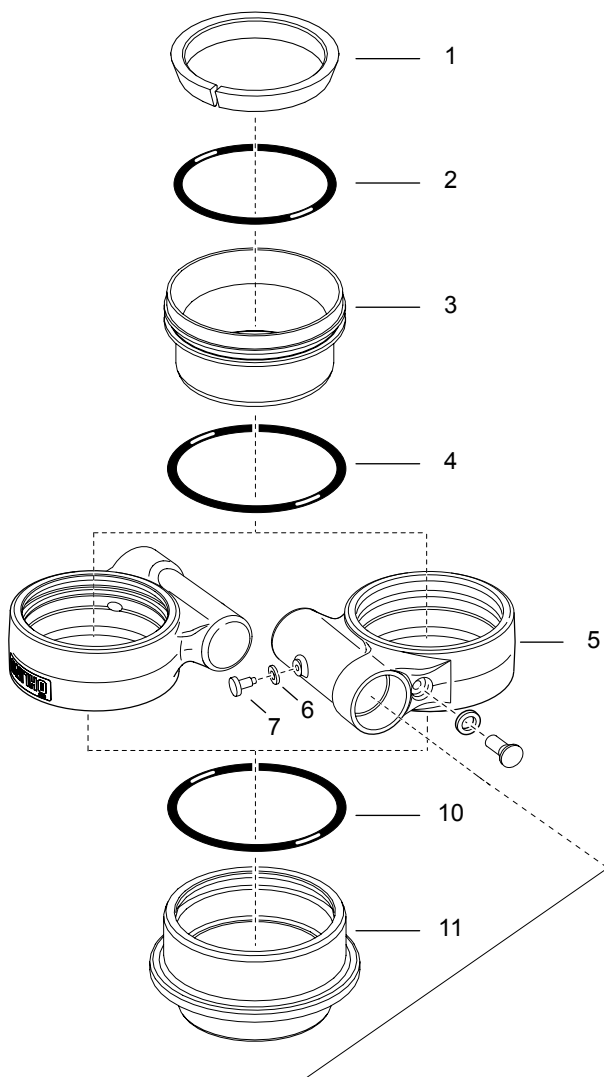
Figure 5 - Reservoir assembly



Pos	Part No	Pcs	Description	Notes
5-1	00338-24	1	O-ring	
5-2	00302-06	1	Reservoir	
5-3	00191-24	1	Sticker Öhlins TTX	
5-4	00196-01	1	Sticker Warning	
5-5	00338-26	1	O-ring	
5-6	00340-01	1	Teflon band	
5-7	00305-01	1	Piston	
5-8	00604-01	1	Rubber valve	
5-9	00338-04	1	O-ring	
5-10	00561-04	1	Reservoir top	
5-11	00338-59	1	O-ring	
5-12	00382-05	1	Screw	
5-13	00161-16		Reservoir top assy	
5-14	00329-01	1	Circlip	

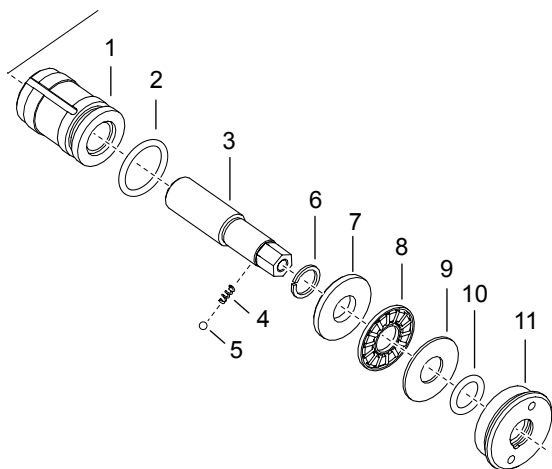
SPL BM 3650

Figure 6 - Preload housing



Pos	Part No	Pcs	Description	Notes
6-1	21505-01	1	Conical nut	
6-2	00438-79	1	O-ring	
6-3	21511-01	1	Inner sleeve	
6-4	00638-08	1	O-ring	
6-5	21509-01	1	Housing	
6-6	03614-01	1	Seal washer	
6-7	03601-02	1	Guide screw	
6-8	00438-33	1	O-ring	
6-9	00382-07	1	Screw	
6-10	00638-07	1	O-ring	
6-11	21501-01	1	Piston	

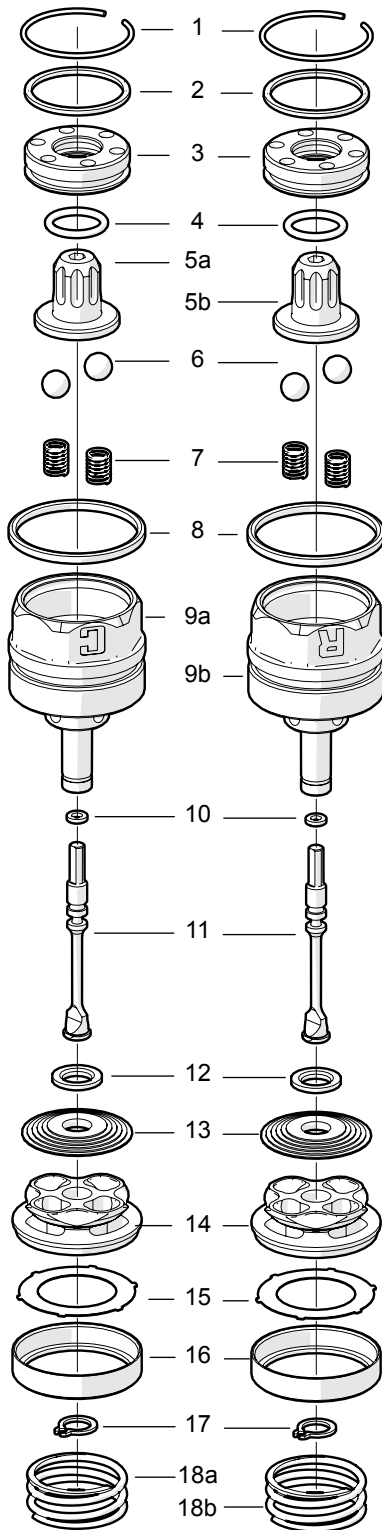
Figure 7 - Adjustment cylinder



Pos	Part No	Pcs	Description	Notes
7-1	03604-04	1	Piston	
7-2	00338-89	1	O-ring	
7-3	03602-01	1	Adj. screw	
7-4	03083-01	1	Spring	
7-5	00884-03	1	Ball	
7-6	00131-03	1	Circlip	
7-7	03073-02	1	Thrust washer LS	
7-8	01023-02	1	Thrust needle bearing	
7-9	03072-02	1	Thrust washer AS	
7-10	00338-88	1	O-ring	
7-11	03603-01	1	Cover	

SPL BM 3650

Figure 8 - Compression and rebound adjuster



Pos	Part No	Pcs	Description	Notes
8-1	00557-08	2	Circlip	
8-2	00338-78	2	O-ring	
8-3	21053-01	2	Adjuster cap	
8-4	00438-63	2	O-ring	
8-5a	21052-01	1	Adjuster knob gold	Compression
8-5b	21052-02	1	Adjuster knob alum.	Rebound
8-6	00884-07	4	Ball	
8-7	00833-02	4	Spring	
8-8	00438-02	2	O-ring	
8-9a	21043-05	1	Housing	Compression
8-9b	21043-06	1	Housing	Rebound
8-10	00338-95	2	O-ring	
8-11	21051-01	2	Adjuster needle	
8-12	01449-xx	-	Clamp washer	See spec.card
8-13	-	-	Shim stack	See spec.card
8-14	21044-37	2	Piston valve	
8-15	21045-02	2	Check valve	
8-16	21047-01	2	Check valve housing	
8-17	05009-06	2	Circlip	
8-18a	21146-50	1	Check valve spring	Compression
8-18b	21146-15	1	Check valve spring	Rebound

Your Öhlins retailer:

Öhlins Racing AB
Box 722
SE-194 27, Upplands Väsby
Sweden

Phone: +46 (0)8 590 025 00
Fax: +46 (0)8 590 025 80
www.ohlins.com



www.ohlins.com