

Shock Absorber TTX36 BMW R1200GS Adventure K5 Front

BM 1490


Spare Parts List




Safety Precautions

Note!


The shock absorber is a very important part of the vehicle and will therefore affect the stability.


 Read and make sure that you understand the information in this manual and the mounting instructions before you use this product. If you have any questions regarding installation or maintenance please contact your nearest Öhlins dealer.

 Öhlins Racing AB can not be held responsible for any damage to the shock absorber, vehicle, other property or injury to persons, if the instructions for installing and maintenance are not followed exactly.

Warning!


This product was developed and designed exclusively for a specific vehicle model and should only be installed on the intended vehicle model in its original condition as delivered from the vehicle manufacturer.

 This product contains pressurized nitrogen gas (N²). Do not open, service or modify this product without proper education (authorized Öhlins dealer/distributor) or proper tools.

 After installing this product, take a test ride at low speed to make sure that your vehicle has maintained its stability.

Note!

When working on this product, always consult your Vehicle Service Manual.

 This Manual should be considered as a part of the product and should therefore accompany the product throughout its life cycle.

Safety Symbols

In this manual, mounting instructions and other technical documents, important information concerning safety is distinguished by the following symbols:



The Safety Alert Symbol means: Warning! Your safety is involved.



Warning!

The Warning Symbol means: Failure to follow warning instructions can result in severe or fatal injury to anyone working with, inspecting or using the shock absorber, or to bystanders.



Caution!

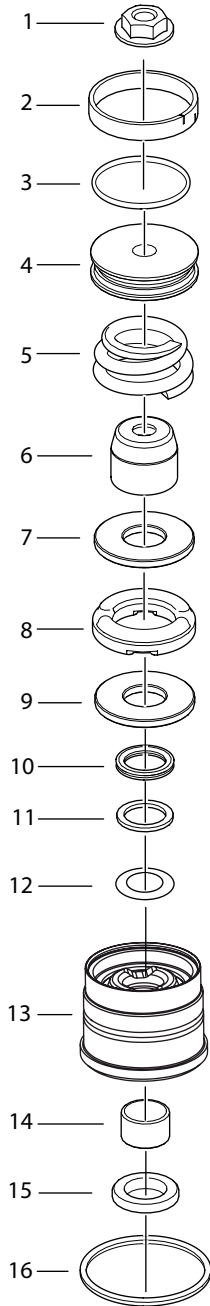
The Caution Symbol means: Special precautions must be taken to avoid damage to the shock absorber.

Note!

The Note Symbol indicates information that is important regarding procedures.

Figure 1

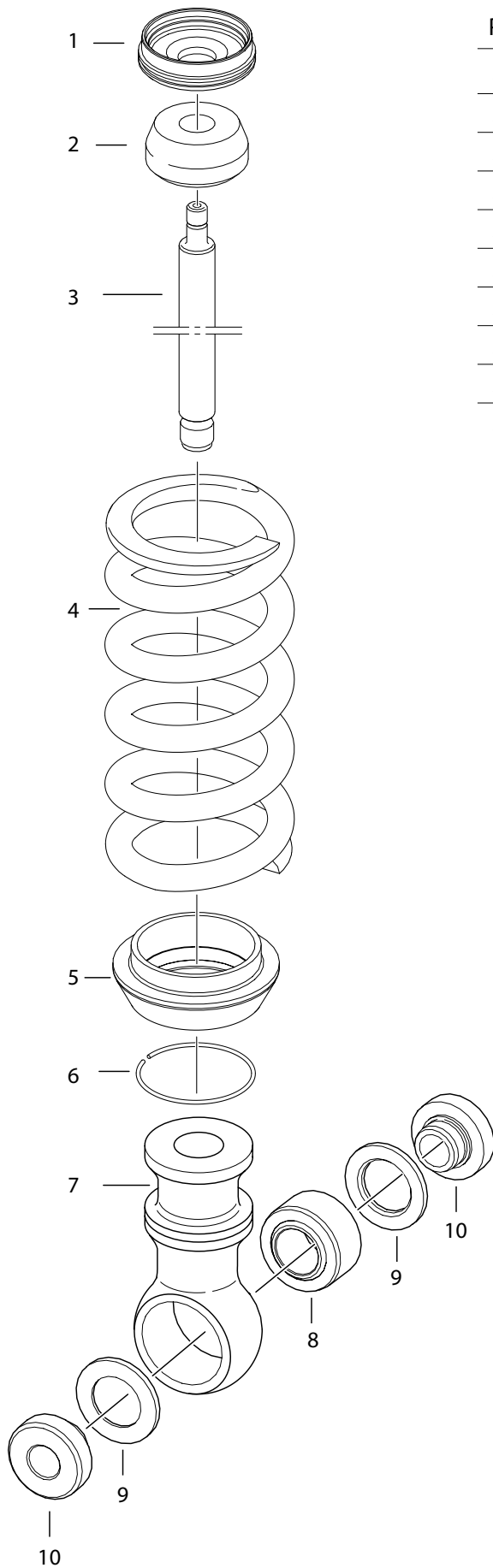
Seal head assy



Pos	Part No	Pcs	Description	Notes
1-1	00139-03	1	Lock nut	
1-2	21018-01	1	Piston band	
1-3	00438-66	1	O-ring	
1-4	21015-03	1	Piston	
1-5	21031-09	1	Top out spring	
1-6	21032-03	1	Top out spring guide	
1-7	21028-05	1	Spacer	
	21025-02	1	Seal head assy	
1-8	03067-02	1	Stop rubber	
1-9	04752-02	1	Washer	
1-10	04717-02	1	Seal	
1-11	01032-09	1	Back up ring	
1-12	04729-02	1	Shim	
1-13	21026-02	1	Seal head	
1-14	01056-15	1	Bushing	
1-15	03070-01	1	Scraper	
1-16	00338-02	1	O-ring	

Shaft assy

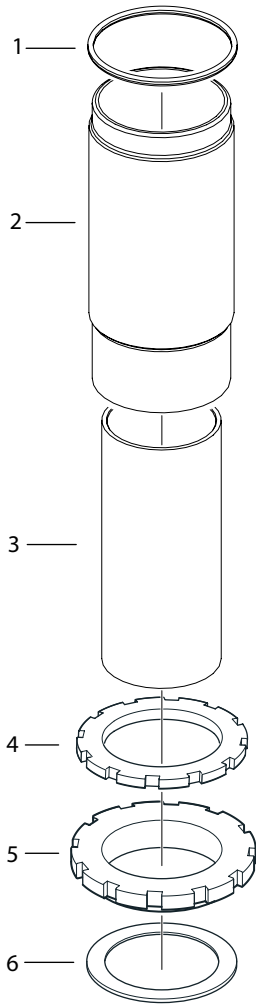
Figure 2



Pos	Part No	Pcs	Description	Notes
2-1	00250-04	1	Washer	
2-2	21029-01	1	Bump rubber	
2-3	21001-13	1	Shaft	
2-4	21067-15	1	Spring	Standard
2-5	21036-03	1	Spring clip	
2-6	00329-15	1	Circlip	
2-7	21120-11	1	End eye	
2-8	00536-13	1	Ball joint	
2-9	00534-01	2	Seal ball joint	
2-10	01218-12	2	Spacer ball joint	

Figure 3

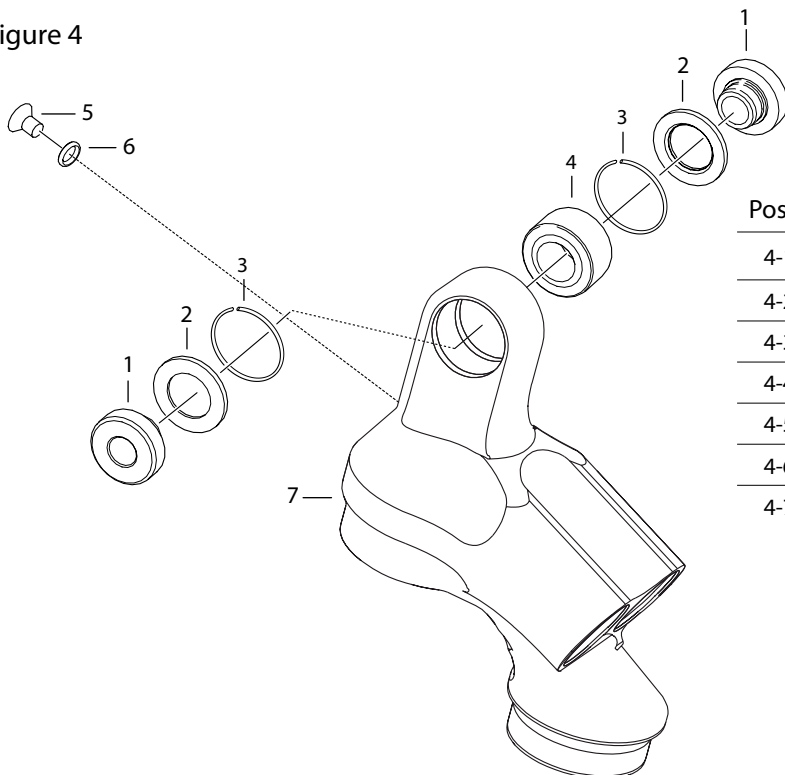
Cylinder tube assy



Pos	Part No	Pcs	Description	Notes
3-1	00576-03	1	O-ring	
3-2	21727-02	1	Outer tube	
3-3	21737-02	1	Inner tube	
3-4	21033-01	1	Lock nut	
3-5	21034-01	1	Spring platform	
3-6	21035-01	1	Washer	

Figure 4

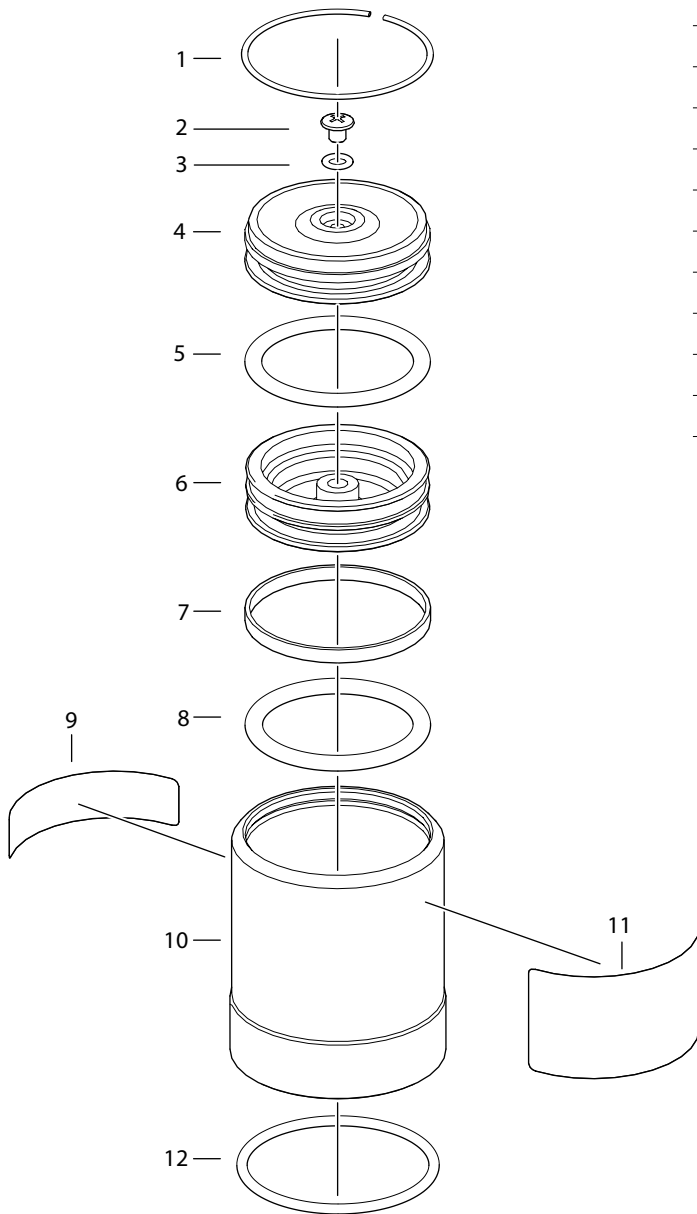
Cylinder head assy



Pos	Part No	Pcs	Description	Notes
4-1	01218-12	2	Spacer, ball joint	
4-2	00534-01	2	Seal ball joint	
4-3	00557-01	2	Circlip	
4-4	00536-13	1	Ball joint	
4-5	00382-07	1	Screw	
4-6	00438-33	1	O-ring	
4-7	21890-01	1	Cylinder head	

Figure 5

Reservoir assy

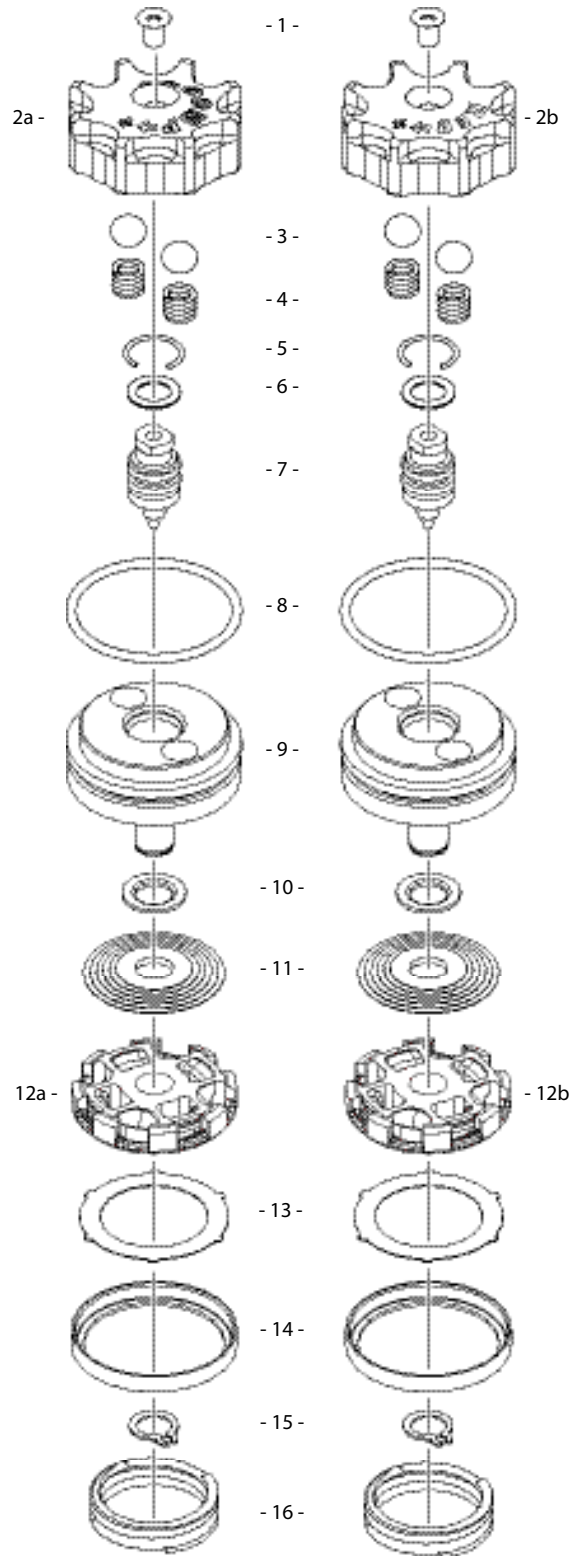


Pos	Part No	Pcs	Description	Notes
5-1	00329-01	1	Circlip	
5-2	01050-01	1	Screw	
5-3	00338-59	1	O-ring	
5-4	00161-03	1	Reservoir top assy	
5-5	00338-04	1	O-ring	
5-6	00305-01	1	Piston	
5-7	00340-01	1	Teflon band	
5-8	00338-26	1	O-ring	
5-9	00196-01	1	Sticker "Warning"	
5-10	00302-02	1	Reservoir	
5-11	00191-24	1	Sticker "Öhlins"	
5-12	00338-24	1	O-ring	

Fig.6

Comp. /rebound assy

Pos	Part No.	Pcs	Description	Type/Remarks
6-1	00828-01	2	Screw	
6-2a	21050-20	1	Knob adj. comp.	Compression
6-2b	21050-21	1	Knob adj. reb.	Rebound
6-3	00884-07	4	Ball	
6-4	00833-01	4	Spring	
6-5	01473-06	2	Circlip	
6-6	00338-79	2	O-ring	
6-7	01242-06	2	Adjustment needle	
6-8	00438-02	2	O-ring	
6-9	21043-02	2	End piece	
6-10	-	2	Washer	See spec.card
6-11	-	2	Shims	See spec.card
6-12a	21044-25	1	Valve	Compression
6-12b	21044-30	1	Valve	Rebound
6-13	21045-02	2	Check valve	
6-14	21047-01	2	Check valve housing	
6-15	05009-06	2	Circlip	
6-16	21046-15	2	Check valve spring	



Your Öhlins retailer:



Öhlins Racing AB
Box 722
SE-194 27, Upplands Väsby
Sweden

Phone: +46 (0)8 590 025 00
Fax: +46 (0)8 590 025 80
www.ohlins.com



www.ohlins.com