

Shock Absorber TTX39 for BMW R1200GS K5 Rear

# BM 1460


Spare Parts List




## Safety Precautions

### Note!


The shock absorber is a very important part of the vehicle and will therefore affect the stability of the vehicle.


 Read and make sure that you understand the information in this manual and the mounting instructions before you use this product. If you have any questions regarding installation or maintenance please contact your nearest Öhlins dealer.

 Öhlins Racing AB can not be held responsible for any damage to the shock absorber, vehicle, other property or injury to persons, if the instructions for installing and maintenance are not followed exactly.

### Warning!


This product was developed and designed exclusively for a specific vehicle model and should only be installed on the intended vehicle model in its original condition as delivered from the vehicle manufacturer.

 This product contains pressurized nitrogen gas (N<sup>2</sup>). Do not open, service or modify this product without proper education (authorized Öhlins dealer/distributor) or proper tools.

 After installing this product, take a test ride at low speed to make sure that your vehicle has maintained its stability.

### Note!

When working on this product, always consult your Vehicle Service Manual.

 This Manual should be considered as a part of the product and should therefore accompany the product throughout its life cycle.

## Safety Symbols

In this manual, mounting instructions and other technical documents, important information concerning safety is distinguished by the following symbols:



The Safety Alert Symbol means: Warning! Your safety is involved.



The Warning Symbol means: Failure to follow warning instructions can result in severe or fatal injury to anyone working with, inspecting or using the shock absorber, or to bystanders.



The Caution Symbol means: Special precautions must be taken to avoid damage to the shock absorber.



The Note Symbol indicates information that is important regarding procedures.

© Öhlins Racing AB. All rights reserved. Any reprinting or unauthorized use without the written permission of Öhlins Racing AB is prohibited.  
Printed in Sweden.

Fig.1

Pos	Part No.	Pcs	Description	Type/Remarks
1-1	21855-01	1	Flange nut	
1-2	00638-73	1	O-ring	
1-3	21018-02	1	Piston band	
1-4	21847-01	1	Piston	
1-5	21031-06	1	Top out spring	
1-6	21848-01	1	Top out spring guide	
1-7	21841-04	1	Spacer	
1-7	21841-08	1	Spacer	
	21858-01	1	Seal head assy	
1-8	05115-01	1	Stop rubber	
1-9	21856-01	1	Stop spacer	
1-10	04717-02	1	Seal	
1-11	01032-09	1	Back up ring	
1-12	04729-02	1	Shim	
1-13	21859-01	1	Seal head	
1-14	01056-15	1	Bushing	
1-15	03070-01	1	Scraper	
1-16	00338-24	1	O-ring	

Shaft assy

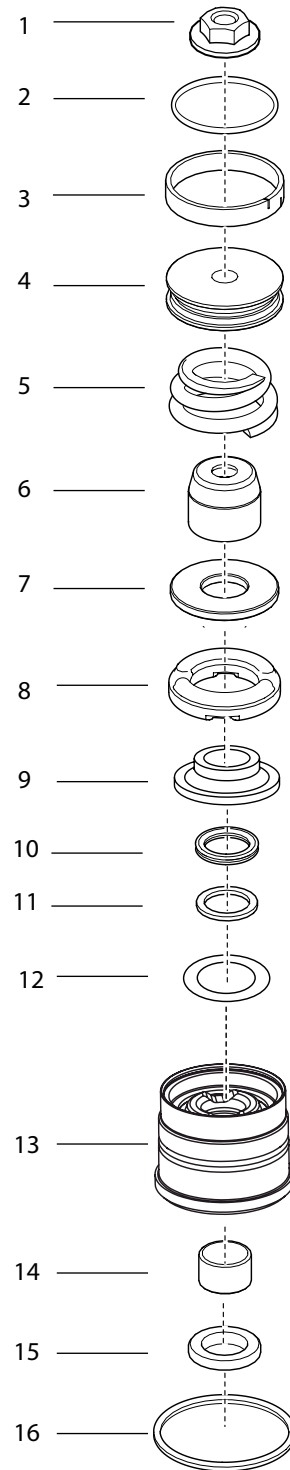


Fig.2

Pos	Part No.	Pcs	Description	Type/Remarks
2-1	21843-01	1	End cap	
2-2	06375-03	1	Bump rubber	
2-3	21846-01	1	Shaft	
2-4	01103-54	1	Spring	Standard
2-5	21854-01	1	Spring clip	
2-6	00329-22	1	Circlip	
2-7	21849-02	1	End eye	
2-8	03098-05	1	Shaft	
2-9	21853-01	2	Seal bearing	
2-10	21852-01	1	Bearing	

Shaft/End eye

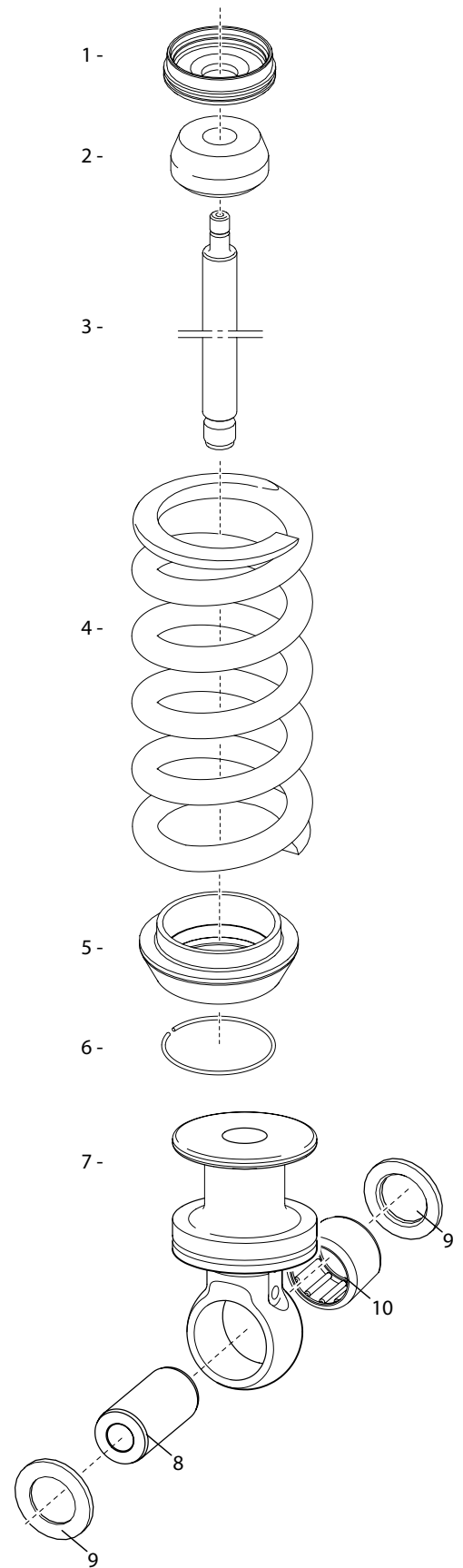


Fig.3

Pos	Part No.	Pcs	Description	Type/Remarks
3-1	00338-37	1	O-ring	
3-2	21845-01	1	Outer tube	
3-3	21842-01	1	Inner tube	

Cylinder tubes

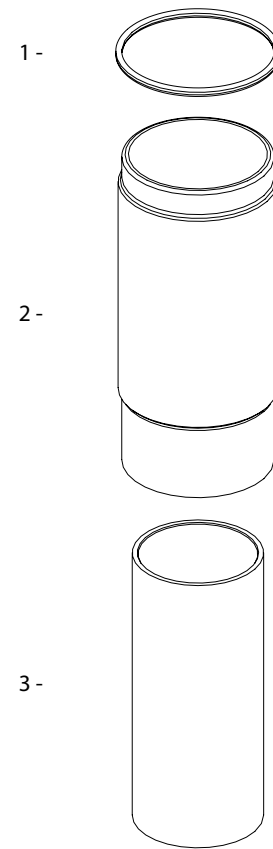


Fig.4

Pos	Part No.	Pcs	Description	Type/Remarks
4-1	01218-02	2	Spacer, ball joint	
4-2	00534-01	2	Seal ball joint	
4-3	00557-01	2	Circlip	
4-4	00536-13	1	Ball joint	
4-5	00382-07	1	Screw	
4-6	00438-33	1	O-ring	
4-7	21850-03	1	Cylinder head	

Cylinder head

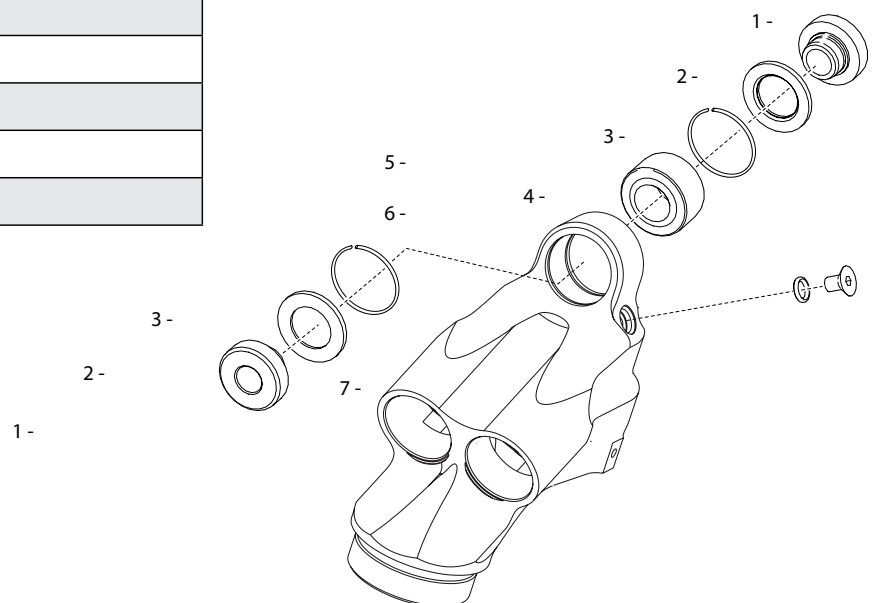


Fig.5

Reservoir assy

Pos	Part No.	Pcs	Description	Type/Remarks
5-1	00329-01	1	Circlip	
5-2	01050-01	1	Screw	
5-3	00338-59	1	O-ring	
5-4	00161-03	1	Reservoir top assy	
5-5	00338-04	1	O-ring	
5-6	00305-01	1	Piston	
5-7	00340-01	1	Teflon band	
5-8	00338-26	1	O-ring	
5-9	00196-01	1	Sticker "Warning"	
5-10	00302-05	1	Reservoir	
5-11	00191-02	1	Sticker "Öhlins"	
5-12	00338-24	1	O-ring	

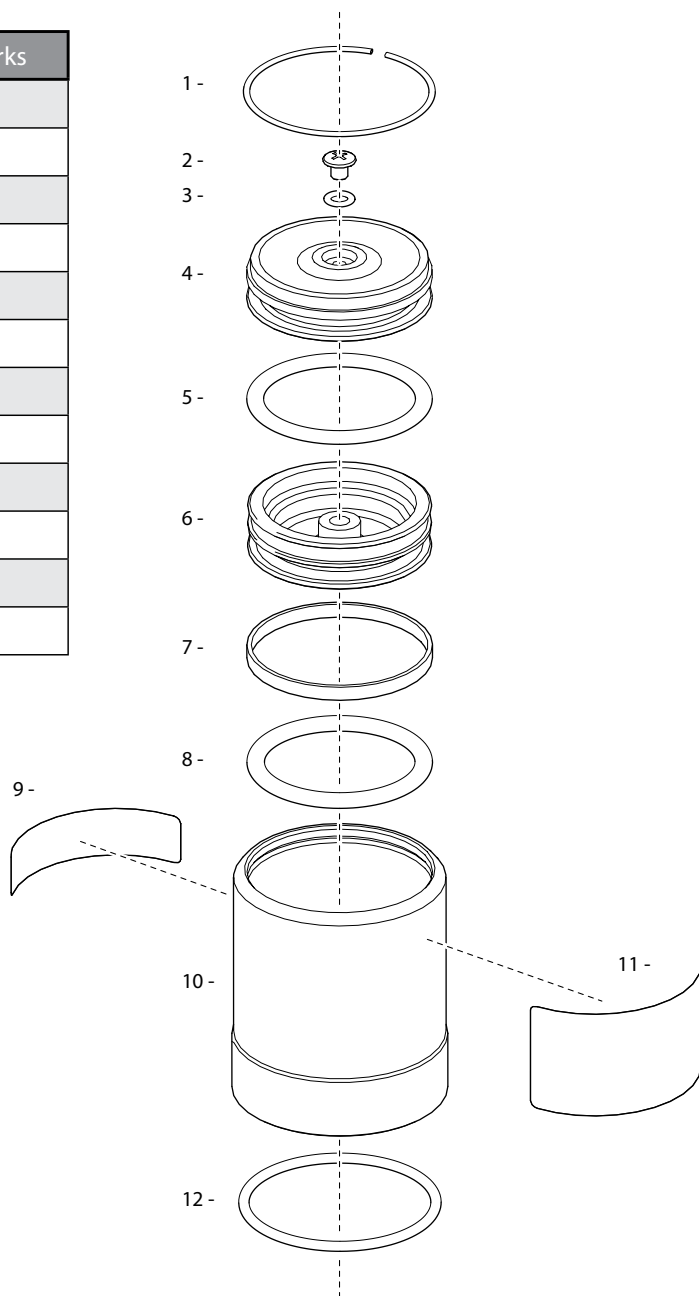
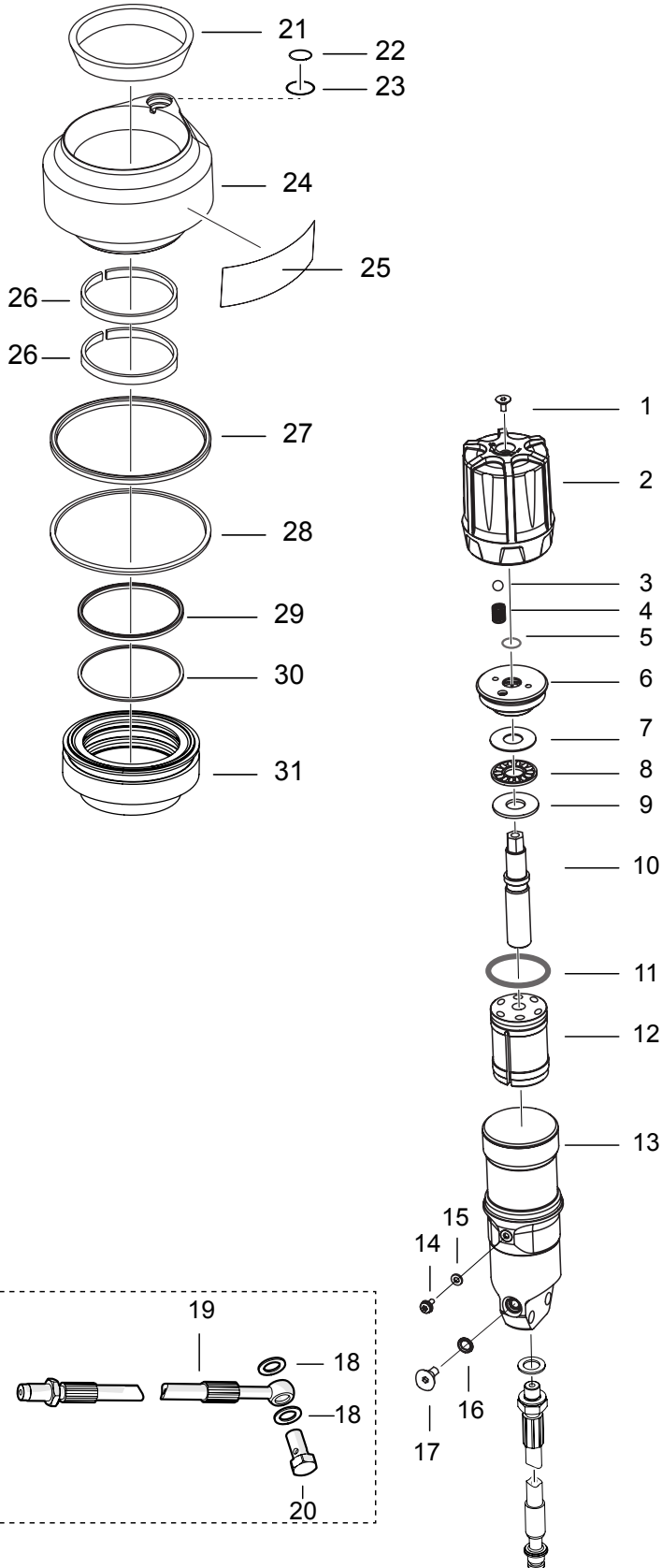


Figure 6 - Hydraulic adjuster

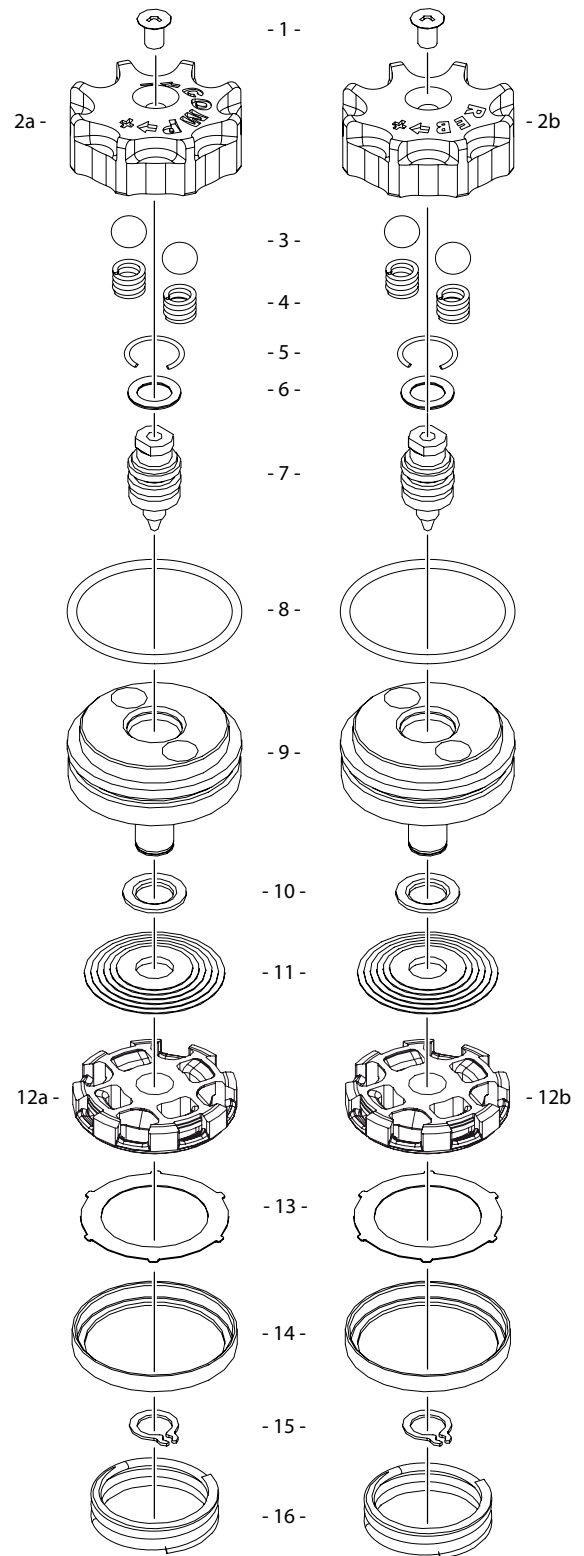


Pos	Part No	Pcs	Description	Notes
6-1	00382-08	1	Screw	
6-2	03605-02	1	Knob	
6-3	00884-01	1	Ball	
6-4	00833-01	1	Spring	
6-5	00338-88	1	O-ring	
6-6	03603-03	1	Cover	
6-7	03072-02	1	Washer	thin
6-8	01023-02	1	Bearing	
6-9	03073-02	1	Washer	thick
6-10	03602-03	1	Adj.screw	
6-11	00576-12	1	O-ring	
6-12	03604-05	1	Piston	
6-13	03600-04	1	Housing	
6-14	03601-02	1	Guide screw	
6-15	03614-01	1	Seal washer	
6-16	00338-79	1	O-ring	
6-17	00382-07	1	Screw	
6-18	01048-01	2	Seal washer	
6-19	21507-11	1	Hose banjo	
6-20	00831-02	1	Banjo bolt	
6-21	21505-02	1	Conical nut	
6-22	01473-04	1	Circlip	
6-23	00577-01	1	O-ring	
6-24	21861-01	1	Housing	
6-25	00191-06	1	Sticker	
6-26	21863-01	2	Piston band	
6-27	01027-21	1	X-ring	
6-28	01032-28	1	Support ring	
6-29	01027-19	1	X-ring	
6-30	01032-27	1	Support ring	
6-31	21862-01	1	Piston	
	00153-01	2	Washer 8mm	See MI
	00153-04	2	Washer 6mm	See MI
	00430-02	2	Nut M6	See MI
	02267-07	1	Bracket	See MI
	02267-08	1	Bracket	See MI
	01046-01	2	Screw 6x16	See MI
	01046-22	1	Screw 8x16	See MI
	05404-07	2	Screw 6x30	See MI
	21701-02	1	Bracket	See MI

Fig.7

Comp./rebound assy

Pos	Part No.	Pcs	Description	Type/Remarks
7-1	00828-01	2	Screw	
7-2a	21050-20	1	Knob adj. comp.	
7-2b	21050-21	1	Knob adj. reb.	
7-3	00884-07	4	Ball	
7-4	00833-01	4	Spring	
7-5	01473-06	2	Circlip	
7-6	00338-79	2	O-ring	
7-7	01242-06	2	Adjustment needle	
7-8	00438-02	2	O-ring	
7-9	21043-02	2	End piece	
7-10	-	2	Washer	See spec.card
7-11	-	2	Shims	See spec.card
7-12a	21044-30	1	Valve	Compression
7-12b	21044-05	1	Valve	Rebound
7-13	21045-02	2	Check valve	
7-14	21047-01	2	Check valve housing	
7-15	05009-06	2	Circlip	
7-16	21046-30	2	Check valve spring	





Your Öhlins retailer:



Öhlins Racing AB  
Box 722  
SE-194 27, Upplands Väsby  
Sweden

Phone: +46 (0)8 590 025 00  
Fax: +46 (0)8 590 025 80  
[www.ohlins.com](http://www.ohlins.com)



[www.ohlins.com](http://www.ohlins.com)