

Shock abs. TTX GP Aprilia RSV 4

AP 466 3

Spare Parts List



SAFETY PRECAUTIONS

⚠ Warning!

The shock absorber/front fork/steering damper is an important part of the vehicle and will affect the stability.

⚠ Warning!

After installing the Öhlins product, take a test ride at low speed to make sure your vehicle has maintained stability.

⚠ Warning!

Some of Öhlins products contain pressurized nitrogen gas (N₂). Do not open, service or modify pressurized products without proper education (approved Öhlins dealer/distributor) and proper tools.

👁 Note!

Read and ensure you understand the information in this manual and other technical documents provided by Öhlins, before you use the product.

👁 Note!

Öhlins Racing AB can not be held responsible for any damage to the shock absorber/front fork/steering damper, vehicle, other property or injury to persons, if the instructions for mounting, usage and maintenance are not obeyed.

⚠ Warning!

If the suspension makes an abnormal noise, or the function is irregular, or if you notice any leakage from the product, stop the vehicle immediately and return the product to an Öhlins Service Centre.

⚠ Warning!

The product warranty shall only apply if the product has been operated and maintained in accordance with recommendations in this manual. If you have any questions regarding usage, service, inspection and/or maintenance contact Öhlins.

👁 Note!

When working with the Öhlins product, read the Vehicle Service Manual.

⚠ Warning!

This product was developed and designed exclusively for a specific vehicle model and shall only be installed on the intended vehicle model in its original condition as delivered from the vehicle manufacturer.

CONTENTS

| | |
|---|---|
| Figure 1 - Seal head/ Piston..... | 3 |
| Figure 2 - Shaft assembly | 4 |
| Figure 3 - Cylinder tubes..... | 5 |
| Figure 4 - Cylinder head | 5 |
| Figure 5 - Reservoir assembly | 6 |
| Figure 6 - Preload housing..... | 7 |
| Figure 7 - Adjustment cylinder..... | 7 |
| Figure 8 - Compression and rebound adjuster | 8 |

SAFETY SYMBOLS

In this manual, mounting instructions and other technical documents, important information concerning safety is distinguished by the following symbols:



The Safety Alert Symbol means: Warning! Your safety is involved.

⚠ Warning!

The Warning Symbol means: Failure to follow warning instructions can result in severe or fatal injury to anyone working with, inspecting or using the shock absorber, or to bystanders.

👉 Caution!

The Caution Symbol means: Special precautions must be taken to avoid damage to the shock absorber.

👁 Note!

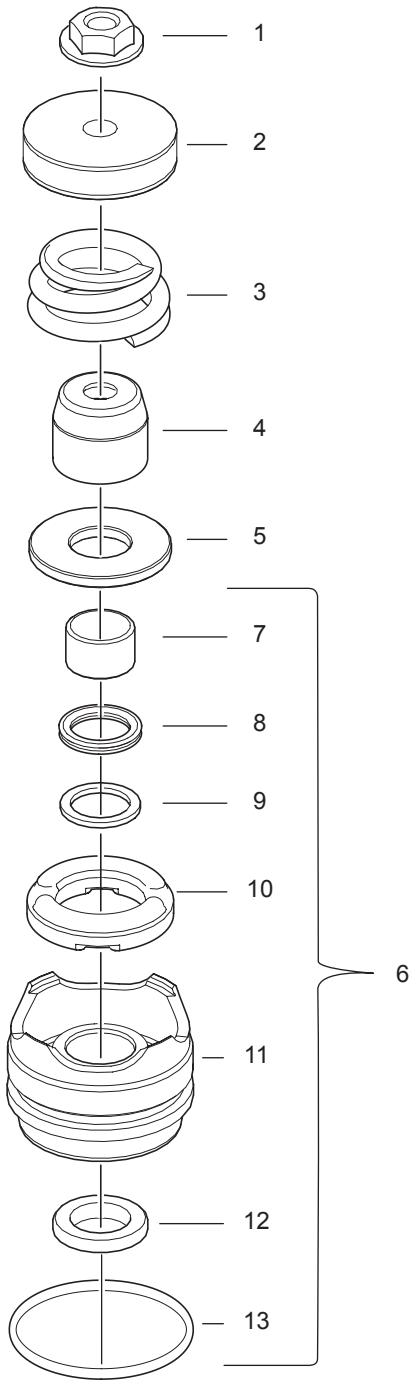
The Note Symbol indicates information that is important regarding procedures.

© Öhlins Racing AB. All rights reserved.

Any reprinting or unauthorized use without the written permission of Öhlins Racing AB is prohibited.

SPL AP 466 3

Figure 1 - Seal head/ Piston

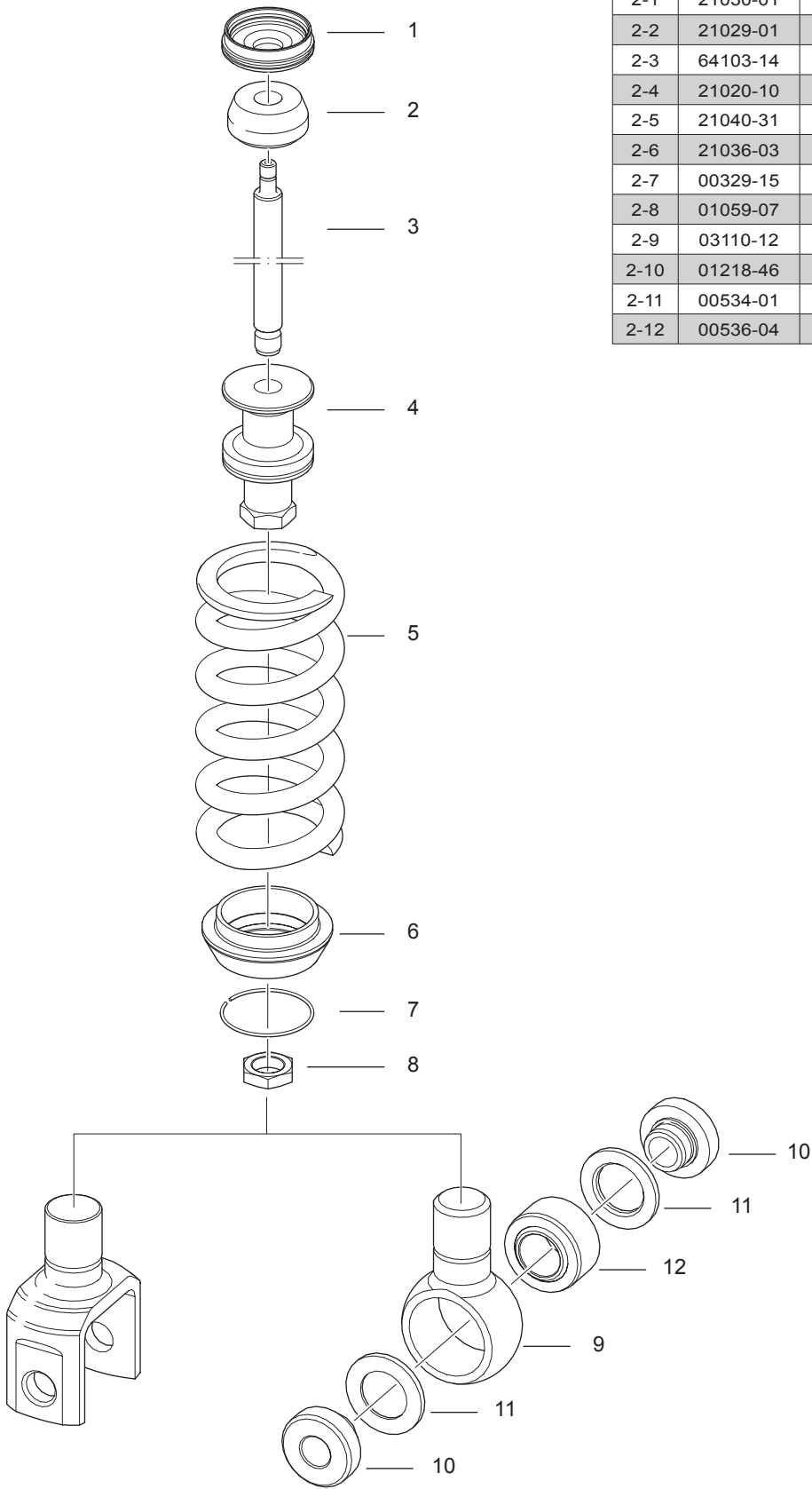


| Pos | Part No | Pcs | Description | Notes |
|------|-----------------|----------|------------------------------|-------|
| 1-1 | 21855-01 | 1 | Lock nut | |
| 1-2 | 21017-10 | 1 | Piston assy with band | |
| 1-2 | 21015-10 | 1 | Piston | |
| 1-2 | 00638-27 | 1 | O-ring | |
| 1-2 | 21018-05 | 1 | Piston band | |
| 1-3 | 21031-06 | 1 | Top out spring | |
| 1-4 | 21848-12 | 1 | Top out spring guide | |
| 1-5 | 21028-03 | 2 | Spacer | |
| 1-6 | 21025-05 | 1 | Seal head assy | |
| 1-7 | 01056-15 | 1 | Bushing | |
| 1-8 | 04717-01 | 1 | Seal | |
| 1-9 | 01032-07 | 1 | Back-up ring | |
| 1-10 | 21027-01 | 1 | Stop rubber | |
| 1-11 | 21026-05 | 1 | Seal head | |
| 1-12 | 03070-01 | 1 | Scraper | |
| 1-13 | 00338-02 | 1 | O-ring | |

SPL AP 466 3

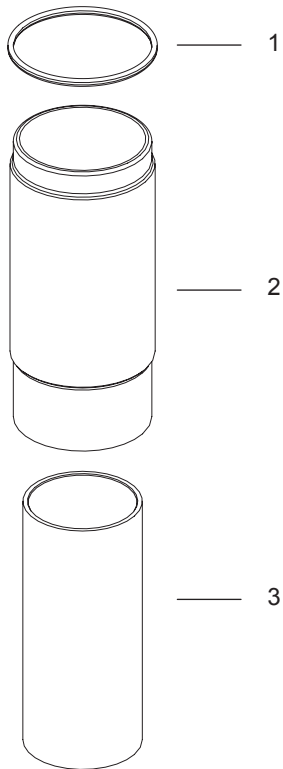
Figure 2 - Shaft assembly

| Pos | Part No | Pcs | Description | Notes |
|------|----------|-----|------------------|----------|
| 2-1 | 21030-01 | 1 | End cap | |
| 2-2 | 21029-01 | 1 | Bump rubber | |
| 2-3 | 64103-14 | 1 | Shaft | |
| 2-4 | 21020-10 | 1 | Shaft extension | |
| 2-5 | 21040-31 | 1 | Spring | Standard |
| 2-6 | 21036-03 | 1 | Spring clip | |
| 2-7 | 00329-15 | 1 | Circlip | |
| 2-8 | 01059-07 | 1 | Nut | |
| 2-9 | 03110-12 | 1 | End eye | |
| 2-10 | 01218-46 | 2 | Spacer balljoint | |
| 2-11 | 00534-01 | 2 | Seal balljoint | |
| 2-12 | 00536-04 | 1 | Balljoint | |



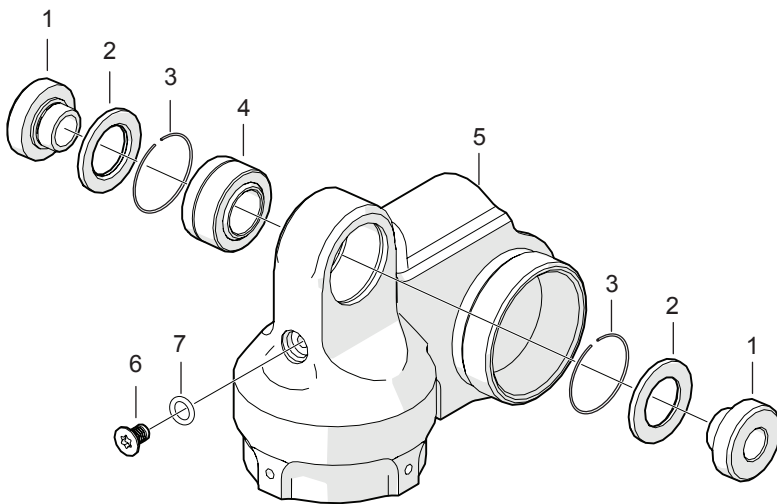
SPL AP 466 3

Figure 3 - Cylinder tubes



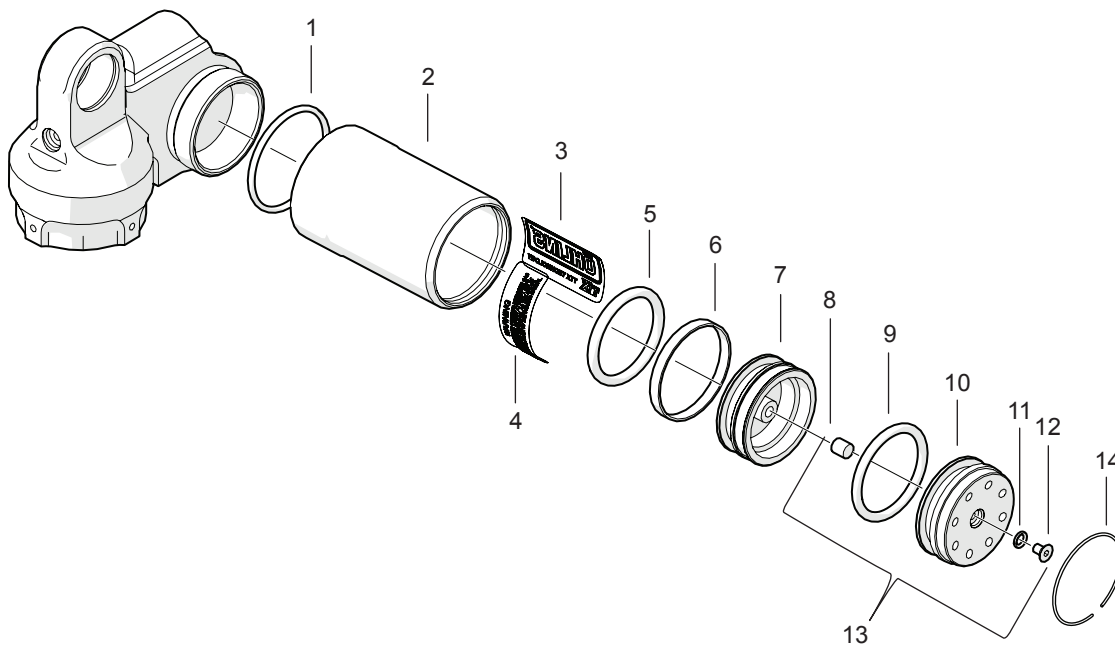
| Pos | Part No | Pcs | Description | Notes |
|-----|----------|-----|-------------|-------|
| 3-1 | 00576-03 | 1 | O-ring | |
| 3-2 | 21011-07 | 1 | Outer tube | |
| 3-3 | 21006-07 | 1 | Inner tube | |

Figure 4 - Cylinder head



| Pos | Part No | Pcs | Description | Notes |
|-----|----------|-----|--------------------|-------|
| 4-1 | 01218-33 | 2 | Spacer, ball joint | |
| 4-2 | 00534-01 | 2 | Seal ball joint | |
| 4-3 | 00557-01 | 2 | Circlip | |
| 4-4 | 00536-04 | 1 | Ball joint | |
| 4-5 | 21070-16 | 1 | Cylinder head | |
| 4-6 | 00382-07 | 1 | Screw | |
| 4-7 | 00438-33 | 1 | O-ring | |

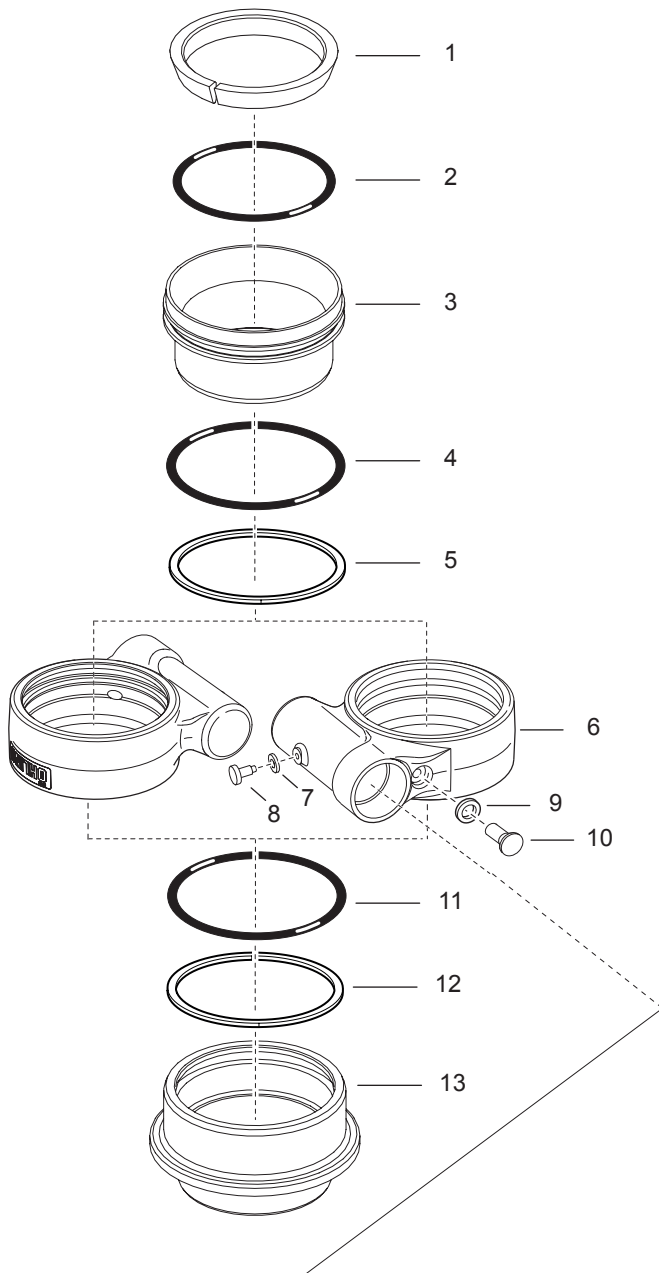
Figure 5 - Reservoir assembly



| Pos | Part No | Pcs | Description | Notes |
|------|----------|-----|--------------------|-------|
| 5-1 | 00338-24 | 1 | O-ring | |
| 5-2 | 00302-06 | 1 | Reservoir | |
| 5-3 | 00191-68 | 1 | Sticker Öhlins TTX | |
| 5-4 | 00196-01 | 1 | Sticker Warning | |
| 5-5 | 00338-26 | 1 | O-ring | |
| 5-6 | 00340-01 | 1 | Teflon band | |
| 5-7 | 00305-01 | 1 | Piston | |
| 5-8 | 00604-01 | 1 | Rubber valve | |
| 5-9 | 00338-04 | 1 | O-ring | |
| 5-10 | 00561-04 | 1 | Reservoir top | |
| 5-11 | 00338-59 | 1 | O-ring | |
| 5-12 | 00382-05 | 1 | Screw | |
| 5-13 | 00161-16 | | Reservoir top assy | |
| 5-14 | 00329-01 | 1 | Circlip | |

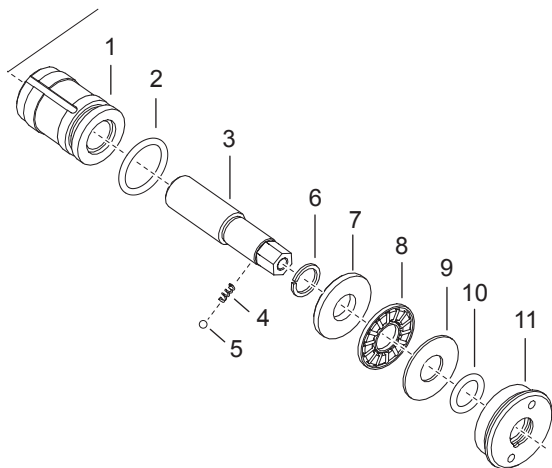
SPL AP 466 3

Figure 6 - Preload housing



| Pos | Part No | Pcs | Description | Notes |
|------|----------|-----|--------------|-------|
| 6-1 | 21505-01 | 1 | Conical nut | |
| 6-2 | 00438-79 | 1 | O-ring | |
| 6-3 | 21511-05 | 1 | Inner sleeve | |
| 6-4 | 01027-10 | 1 | X-ring | |
| 6-5 | 01032-20 | 1 | Back-up ring | |
| 6-6 | 21509-04 | 1 | Housing | |
| 6-7 | 03614-01 | 1 | Seal washer | |
| 6-8 | 03601-02 | 1 | Guide screw | |
| 6-9 | 00438-33 | 1 | O-ring | |
| 6-10 | 00382-07 | 1 | Screw | |
| 6-11 | 01027-14 | 1 | X-ring | |
| 6-12 | 01032-21 | 1 | Back-up ring | |
| 6-13 | 21501-04 | 1 | Piston | |

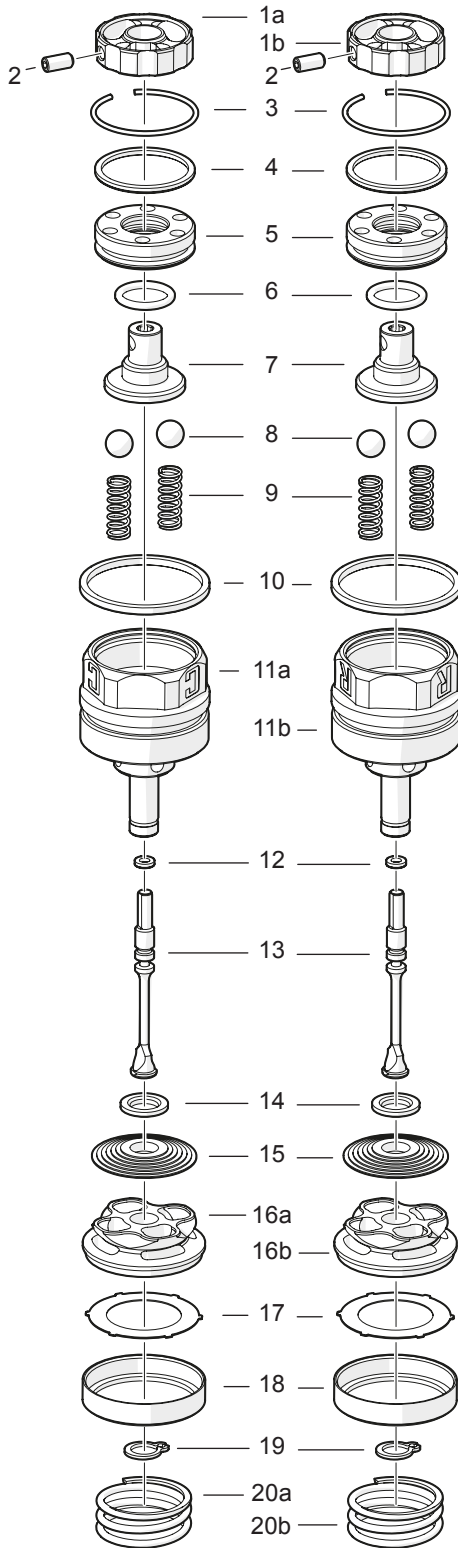
Figure 7 - Adjustment cylinder



| Pos | Part No | Pcs | Description | Notes |
|------|----------|-----|-----------------------|-------|
| 7-1 | 03604-04 | 1 | Piston | |
| 7-2 | 00338-89 | 1 | O-ring | |
| 7-3 | 03602-01 | 1 | Adj. screw | |
| 7-4 | 03083-01 | 1 | Spring | |
| 7-5 | 00884-03 | 1 | Ball | |
| 7-6 | 00131-03 | 1 | Circlip | |
| 7-7 | 03073-02 | 1 | Thrust washer LS | |
| 7-8 | 01023-02 | 1 | Thrust needle bearing | |
| 7-9 | 03072-02 | 1 | Thrust washer AS | |
| 7-10 | 00338-88 | 1 | O-ring | |
| 7-11 | 03603-01 | 1 | Cover | |

SPL AP 466 3

Figure 8 - Compression and rebound adjuster



| Pos | Part No | Pcs | Description | Notes |
|-------|----------|-----|---------------------|---------------|
| 8-1a | 21150-01 | 1 | Adjuster knob | Compression |
| 8-1b | 21150-02 | 1 | Adjuster knob | Rebound |
| 8-2 | 01502-02 | 2 | Screw | |
| 8-3 | 00557-08 | 2 | Circlip | |
| 8-4 | 00338-78 | 2 | O-ring | |
| 8-5 | 21053-01 | 2 | Adjuster cap | |
| 8-6 | 00438-63 | 2 | O-ring | |
| 8-7 | 21052-11 | 2 | Adjuster | |
| 8-8 | 00884-07 | 4 | Ball | |
| 8-9 | 00833-02 | 4 | Spring | |
| 8-10 | 00438-02 | 2 | O-ring | |
| 8-11a | 21043-05 | 1 | Housing | Compression |
| 8-11b | 21043-06 | 1 | Housing | Rebound |
| 8-12 | 00338-95 | 2 | O-ring | |
| 8-13 | 21051-01 | 2 | Adjuster needle | |
| 8-14 | 01449-xx | - | Clamp washer | See spec.card |
| 8-15 | - | - | Shim stack | See spec.card |
| 8-16a | 21044-60 | 1 | Piston | Compression |
| 8-16b | 21044-37 | 1 | Piston | Rebound |
| 8-17 | 21045-02 | 2 | Check valve | |
| 8-18 | 21047-01 | 2 | Check valve housing | |
| 8-19 | 05009-06 | 2 | Circlip | |
| 8-20a | 21146-50 | 1 | Check valve spring | Compression |
| 8-20b | 21146-15 | 1 | Check valve spring | Rebound |

Your Öhlins retailer:

Öhlins Racing AB
Box 722
SE-194 27, Upplands Väsby
Sweden

Phone: +46 (0)8 590 025 00
Fax: +46 (0)8 590 025 80
www.ohlins.com



www.ohlins.com