

Kit Contents

Description	Part No	Pcs
Steering damper	SD 043	1
Tie-rod 4.8 x 200	00231-01	5
Washer 8.4/24/2	00426-03	2
Screw M8 x 40	01046-21	1
Sleeve 8/14/7	02238-16	1
Spacer 20 x 20 x 4.5	02269-03	1
Cable	21770-07	1
Cap	21780-01	1
Screw 5 x 16	25615-02	1
Sticker Mechatronic syst.	00191-46	2
Owner's manual	07261-02	1

👁 Note!

Please note that there can be small differences between your product and the images in these instructions.

👁 Note!

Please note that during storage and transport, especially at high ambient temperature, some of the oil and grease used for assembly may leak and stain the packaging. This will not cause damage to the product, wipe off the excessive oil or grease with a cloth.

👁 Note!

Before you install this product, check the kit contents. If anything is missing, please contact an Öhlins dealer.

⚠ Warning!

Before you install this product, read the Öhlins Owner's manual. This product is an important part of the vehicle and the vehicle stability.

Steering damper for Yamaha R1M

SD 043

Mounting Instructions

MOUNTING INSTRUCTIONS

⚠ Warning!

We strongly recommend to let an Öhlins dealer install this product.

⚠ Warning!

If you work with a lifted vehicle, make sure that it is safely supported to prevent it from tipping over.

👁 Note!

When you work with this product, see the vehicle service manual for vehicle specific procedures and important data.

👁 Note!

Before you install this product clean the vehicle.

1

Remove the mirrors.

2

Remove the inner panels below the handle bars.

3

Remove the upper front fairing together with the screen.
Disconnect the original steering damper cable.

4

Use the supplied cap (shrink tube) (21780-01) to cover the original connector. Carefully apply heat with a heat gun to shrink the cap.

5

Remove the panels under the lower triple clamp.

6

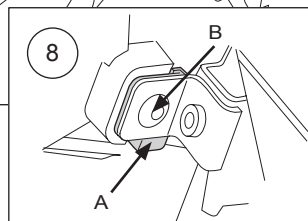
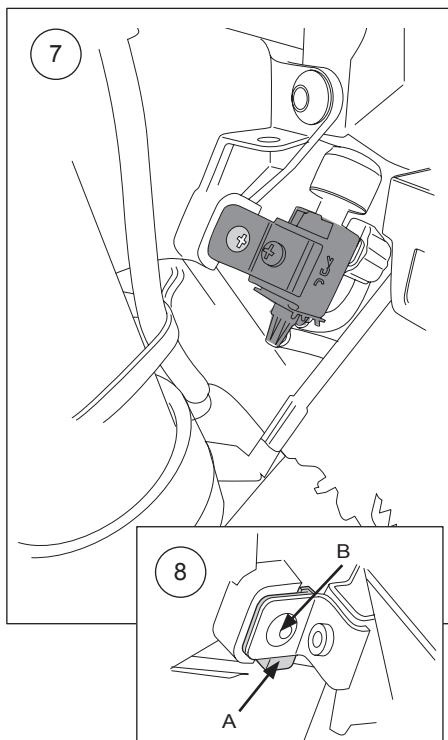
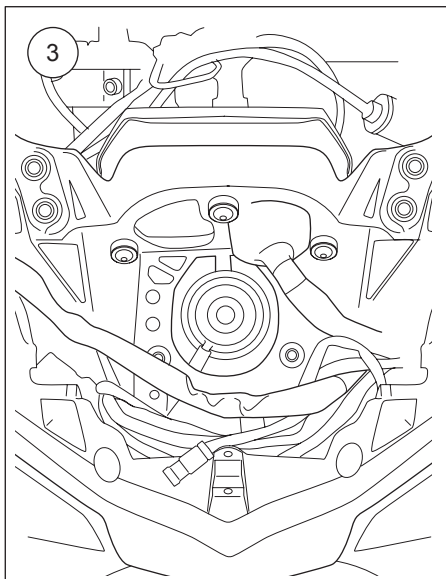
Remove the original steering damper.

7

Remove the screw and the device.
(This step only applicable on (MY) 2015-2019)

8

Place the spacer (02269-03) (position A) between the device and the mounting bracket. Use the supplied screw (25615-02) (position B) to attach the device.
(This step only applicable on (MY) 2015-2019)



MOUNTING INSTRUCTIONS

9

9a: Install the Öhlins steering damper to the frame bracket.

Install in this order:

1. Original screw
2. Washer (00426-03)
3. Original washer
4. Ball joint
5. Original rubber/steel washer (rubber egdge facing down)
6. Frame

9b: Install the steering damper to the triple clamp:

Install in this order:

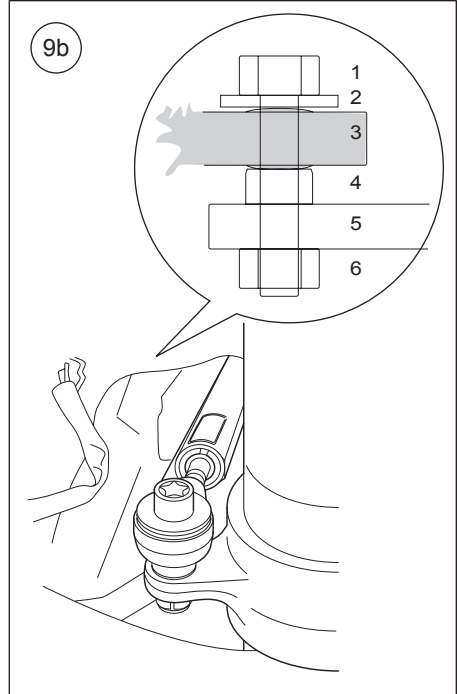
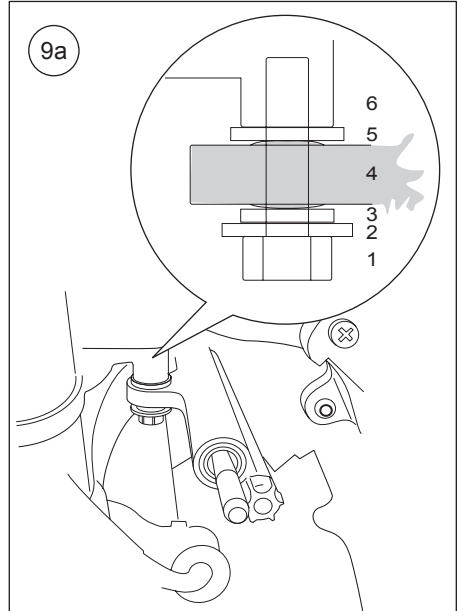
1. Screw (01046-21)
2. Washer (00426-03)
3. Ball joint
4. Sleeve (02238-16)
5. Triple clamp
6. Original nut.

10

Connect the supplied cable (21770-07) to the steering damper.

11

Tie the cable to the steering damper body using a tie rap close to the right hand side of the ball joint.



12

Route the cable to the right and up and back left to where the original connector is. Another smaller connector is also located here. Disconnect the blind plug and connect the Öhlins cable. Use tie raps to attach the cable.

13

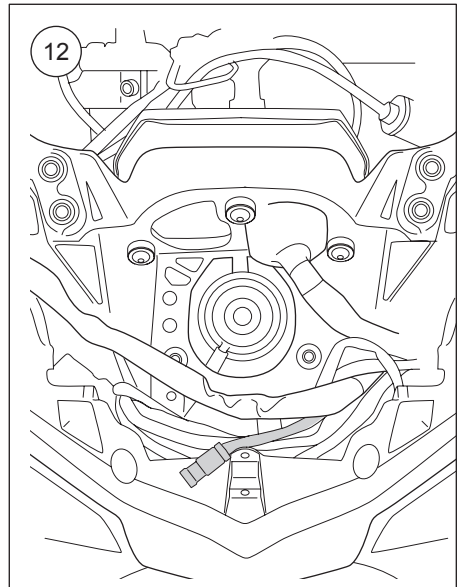
Turn the handle bars fully to the right and left to make sure that nothing restricts the movement.

14

Install all removed parts in their original positions.

15

Once again, turn the handle bars to make sure that nothing restricts the movement.



FUNCTION

When the Öhlins steering damper is mounted and connected, it is controlled by the motorcycle's ECU. No manual settings are necessary.

Öhlins products are subject to continuous improvement and development, therefore, although these instructions include the most up-to-date information available at the time of printing, minor updates may occur.

To find the latest information contact an Öhlins distributor. Please contact Öhlins if you have any questions regarding the contents in this document.

Part no. MI_SD043_0
Issued 2015-03-12

© Öhlins Racing AB. All rights reserved. Any reprinting or unauthorized use without the written permission of Öhlins Racing AB is prohibited.

Öhlins Racing AB
Box 722
S-194 27 Upplands Väsby, Sweden
Phone +46 8 590 025 00
fax +46 8 590 025 80



www.ohlins.com