
Before installing this product, check the contents of the kit. If anything is missing, please contact an Öhlins dealer.

Kit Contents

	Part No	Pcs
Shock Absorber	KA634	1
Sticker set Öhlins		1
Mounting rubber	00230-03	2
Tie-rap	00231-01	2
Bolt M8x25	00429-06	1
Dust seal	00534-01	2
Nut M12x1.25	00539-01	1
Washer	00578-02	1
Hose clamp	00643-02	2
Spacer 12.28	01218-09	2
Spacer 10x27	01218-11	2
Sticker	01180-01	1
Owner's Manual	07241-02	1

👁 Note!

Please note that during storage and transportation, especially at high ambient temperature, some of the oil and grease used for assembling may leak and stain the packaging. This is in no way detrimental to the product, wipe off the excessive oil/grease with a cloth.

⚠ Warning!

Before installing this product, read the Öhlins Owner's Manual. The shock absorber/front fork/steering damper is an important part of your vehicle and will affect the stability.

Product for Kawasaki GPZ 900R

KA634

Mounting Instructions



MOUNTING INSTRUCTIONS

Warning!

It is advisable to have an Öhlins dealer install the shock absorber/front fork/steering damper.

Warning!

If working on a raised vehicle, ensure it is securely supported so that it will not tip.

Note!

Before mounting this product clean the vehicle thoroughly.

Note!

When working on this product, always see the Vehicle Service Manual for vehicle specific procedures and important data.

1

Remove seat, side covers, battery and battery holder.

2

Loosen the electrical panel on the left side.

3

Remove the mounting screw for the expansion vessel.

4

Remove the damping adjustment rod.

5

Loosen the air filling hose.

6

Remove the upper mounting bolt.

7

Remove the bolt that connects the front and rear link.

8

Remove the lower mounting bolt.

9

Remove the original shock absorber.

10

Mount the Öhlins Shock absorber. Mount it from below, mount the reservoir first.

11

Mount the upper mounting bolt.

12

Mount the bolt that connects the front and rear links. Ensure that the bearings are greased. Ensure that seals are not damaged.

13

Lift the swing arm slightly. Mount the lower mounting screw and the washer and nut provided in the kit.

14

Tighten the upper and lower mounting bolts. Tighten the bolt that connects the rear and front links.

15

Lead the hose according to figure.

16

Remount the electrical panel, expansion vessel, battery holder, battery, side covers and seat.

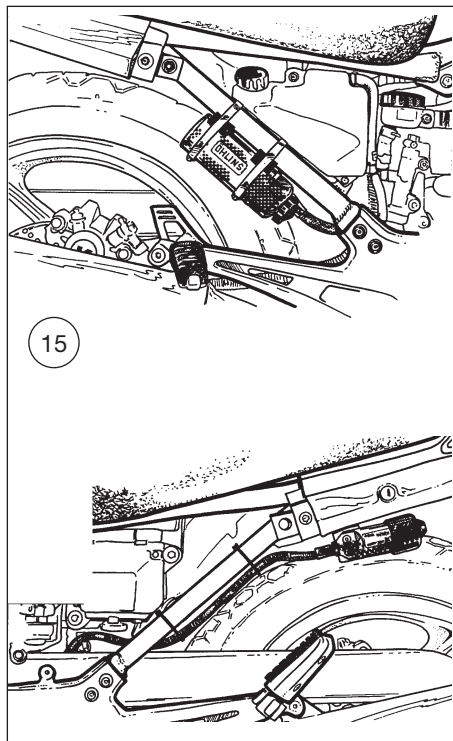
Note!

Lower the vehicle so that the suspension is slightly compressed before tightening the screws.

Caution!

Ensure that all screws are tightened to the correct torque and that nothing fouls or restricts movement of the shock absorber/front fork/steering damper when the suspension is fully compressed or extended.

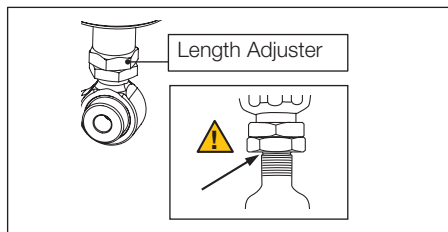
MOUNTING INSTRUCTIONS



ADJUSTMENTS

Warning!

Before riding, always make sure that the basic settings made by Öhlins are according to recommended Set-up Data. Read about adjustments and setting up in the Öhlins Owner's Manual before you make any adjustments. Contact an Öhlins dealer if you have any questions about setting up.



SET-UP DATA

Recommended set-up

Rebound 12clicks


Compression 13clicks

Spring Preload..... 21mm

Shock absorber data

Length..... 325 ⁺¹²/₀mm

Stroke 62mm

 *Öhlins products are subject to continuous improvement and development, therefore, although these instructions include the most up-to-date information available at the time of printing, minor updates may occur.*

To find the latest information contact an Öhlins distributor. Please contact Öhlins if you have any questions regarding the contents in this document.

Part no. MI_KA634_2
Issued 2017-01-01



© Öhlins Racing AB. All rights reserved. Any reprinting or unauthorized use without the written permission of Öhlins Racing AB is prohibited.

Öhlins Racing AB
Box 722
S-194 27 Upplands Väsby, Sweden
Phone +46 8 590 025 00
fax +46 8 590 025 80



www.ohlins.com