

Kit Contents		
Description	Part No	Pcs
Cartridge Kit	FKA108	1
Sticker Öhlins	00191-32	2
Sticker Öhlins	00191-33	2
Owner's manual	07287-01	1

Note!

Before you install this product, check the kit contents. If anything is missing, please contact an Öhlins dealer.

Warning!

This kit should only be installed by an authorized Öhlins dealer. The installation procedure requires proper knowledge and tools.

Warning!

Before you install this product, read the Öhlins Owner's manual. This product is an important part of the vehicle and the vehicle stability.

Note!

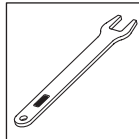
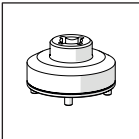
Please note that during storage and transport, especially at high ambient temperature, some of the oil and grease used for assembly may leak and stain the packaging. This will not cause damage to the product, wipe off the excessive oil or grease with a cloth.

Note!

Please note that there can be small differences between your product and the images in these instructions.

Tools	
Part No	Description
00797-08	Sleeve pin tool
01765-04	Pull up tool
04705-03	19 mm wrench
-	14 mm socket wrench
-	3 mm Allen key

In the table above, tools needed for installation only. For vehicle specific tools, see the vehicle service manual.



Fork Kit Adventure for KTM 690 Enduro R

FKA 108

Mounting Instructions

MOUNTING INSTRUCTIONS

1 Remove the original cartridge kit

⚠ Warning!

We strongly recommend to let an Öhlins dealer install this product.

⚠ Warning!

If you work with a lifted vehicle, make sure that it is safely supported to prevent it from tipping over.

👁 Note!

When you work with this product, see the vehicle service manual for vehicle specific procedures and important data.

👁 Note!

Before you install this product clean the vehicle.

1.1

Remove the front fork from the vehicle, see the vehicle service manual for correct procedure.

1.2

Remove the original cartridge kit from the fork legs, see the vehicle service manual for correct procedure.

2 Install the Öhlins cartridge kit

👉 Caution!

Work with only one fork leg at a time. Do not mix the parts.

Important

This kit consists of one compression cartridge and one rebound cartridge, note the marking. Make sure to install them in the correct fork leg.

Marking	Installation
COMP (Compression)	Left side fork leg
REB (Rebound)	Right side fork leg

2.1

Unscrew the top cap.

2.2

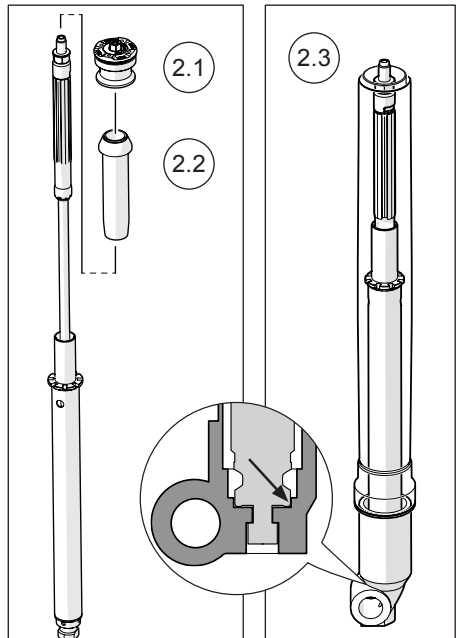
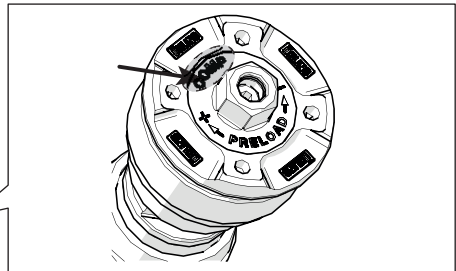
Remove the guide sleeve.

2.3

Put the cartridge into the fork leg. Tighten the bottom screw to the cartridge using appropriate tool at the bottom screw. See the vehicle service manual for recommended thread locking fluid and tightening torque.

👁 Note!

Make sure that the cartridge and bottom screw are correctly inserted in the fork leg.



MOUNTING INSTRUCTIONS

2.4 Fill oil

Öhlins front fork fluid (01309-xx).

2.5 Pump out all air

See the Owner's manual chapter 2.1.

2.6 Set the oil level

See the Owner's manual chapter 2.2.
Recommended level see Setup data.

2.7 Install the spring

See the Spring recommendation in this folder.
Install Pull up tool (01765-04) on top of the shaft extension. Install the spring, with the marking up, over the tool.

2.8

Install the guide sleeve over the tool.

2.9

Pull up the shaft assembly and at the same time push down the guide sleeve. Insert a 19 mm wrench (04705-03).

2.10

Use a 3 mm Allen key to open the compression/rebound adjusters fully. Remove the Pull-up tool (01765-04) and mount the top cap on the shaft extension. Use a 14 mm socket wrench. Tighten to 30 Nm. Carefully remove the 19 mm wrench and make sure that the guide sleeve is correctly inserted in the preload socket.

Note!

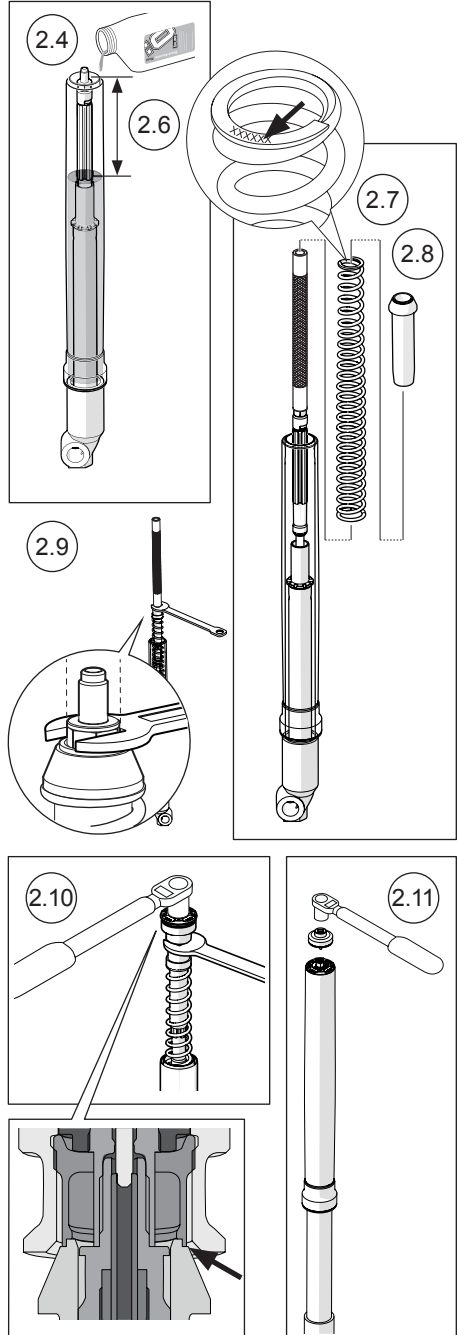
Ensure to install the cartridge top cap in the correct fork leg.

2.11

Make sure that the fork leg is in a fully extended position. Pull up the outer tube. Use Sleeve pin tool (00797-08) to tighten the top cap to the outer tube. Tighten to 10 Nm.

2.12

Set the compression, rebound and spring preload adjusters according to Setup data in this folder. See the Owner's Manual chapter 4 for information about how to adjust.

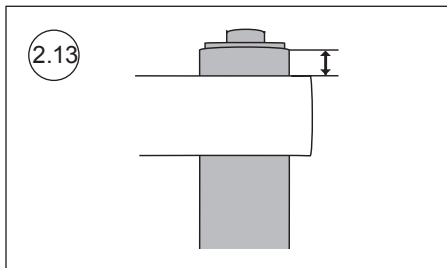


2.13

Install the front fork legs into the triple clamps at the recommended Fork leg position according to Setup data. Tighten according to the recommendations in the vehicle service manual.

👁 **Note!**

Measure the fork leg position from the upper triple clamp to the top of the outer tube.



2.14

Install all removed parts in the same positions as they were before the installation. See the vehicle service manual for correct procedure and torque specifications.

SETUP DATA

Compression	15	clicks
Rebound	12	clicks
Spring preload	0	mm/turns
Oil level	140	mm
Fork leg position	13	mm
Öhlins front fork fluid	01309-	

SPRING RECOMMENDATION

Part No.	Spring rate N/mm
08427-55	5.5 <i>Recommended</i>
08427-60	6.0

Öhlins products are subject to continuous improvement and development, therefore, although these instructions include the most up-to-date information available at the time of printing, minor updates may occur.

To find the latest information contact an Öhlins distributor. Please contact Öhlins if you have any questions regarding the contents in this document.

Part no. MI_FKA108_0
Issued 2015-04-24

© Öhlins Racing AB. All rights reserved. Any reprinting or unauthorized use without the written permission of Öhlins Racing AB is prohibited.

Öhlins Racing AB
Box 722
S-194 27 Upplands Väsby, Sweden
Phone +46 8 590 025 00
fax +46 8 590 025 80



www.ohlins.com