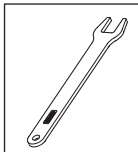
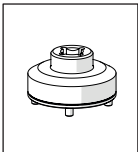


Tools

Part No	Description
00797-08	Sleeve pin tool
01765-04	Pull up tool
04705-03	19 mm wrench
---	14 mm socket wrench
---	3 mm Allen key

In the table above; tools needed for installation only. For vehicle specific tools, see vehicle service manual.



Kit Contents

Description	Part No	Pcs
Cartridge Kit	FKA105	1
Sticker Öhlins	00191-32	2
Sticker Öhlins	00191-33	2
Owner's manual	07287-01	1

👁 Note!

Before installing this product, check the contents of the kit. If anything is missing, please contact an Öhlins dealer.

⚠ Warning!

This kit should only be installed by an authorized Öhlins dealer. The installation procedure requires proper knowledge and specific tools.

⚠ Warning!

Before installing this product, read the Öhlins Owner's Manual. The front fork is an important part of your vehicle and will affect the stability.

👁 Note!

Please note that during storage and transportation, especially at high ambient temperature, some of the oil and grease used at assembly may leak and stain the packaging. This is in no way detrimental to the product, wipe off the excessive oil/grease with a cloth.

👁 Note!

Please note that this image is a general representation of the product and may differ slightly from your product.

Fork Kit Adventure for BMW F800GS

FKA 105

Mounting Instructions

MOUNTING INSTRUCTIONS

1 Remove the Original Cartridge Kit

⚠ Warning!

It is advisable to have an Öhlins dealer install the front fork kit.

⚠ Warning!

If working on a raised vehicle, ensure it is securely supported so that it will not tip.

👁 Note!

Before installing this product clean the vehicle thoroughly.

👁 Note!

When working on this product, always see the vehicle service manual for vehicle specific procedures and important data.

1.1

Remove the front fork from the vehicle according to the vehicle service manual.

1.2

Remove the original cartridge kit from the fork legs according to the vehicle service manual.

2 Install the Öhlins Cartridge Kit

👁 Note!

Please note that the images of the cartridge kit in the following chapters are general representations and may differ slightly from your cartridge kit.

👉 Caution!

Work with only one fork leg at a time. Do not mix the parts.

Important

The kit consists of one compression cartridge and one rebound cartridge, note the marking. Ensure to install them in the correct fork leg:

Marking		Installation
COMP	(Compression)	Left side fork leg
REB	(Rebound)	Right side fork leg

2.1

Unscrew the top cap.

2.2

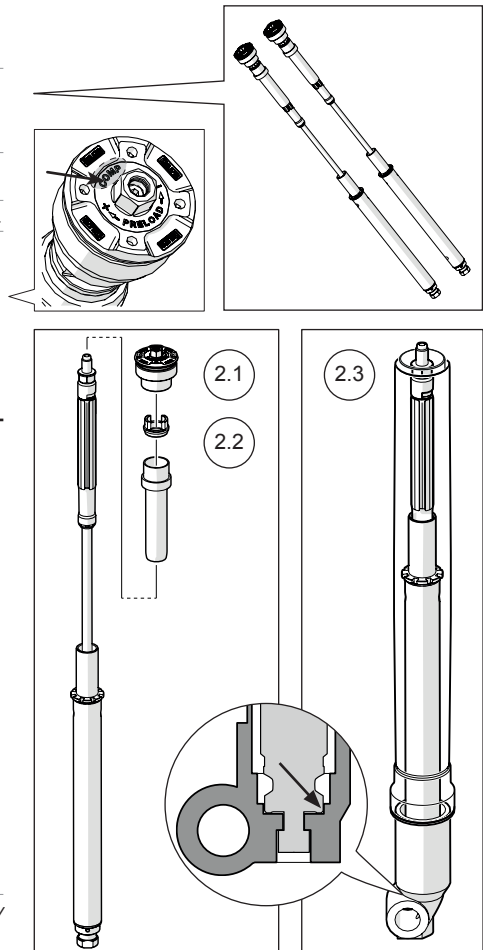
Remove the spring support and the guide sleeve.

2.3

Put the cartridge into the fork leg. Tighten the bottom screw to the cartridge using appropriate tool at the bottom screw. Tightening torque and thread locking fluid according to the vehicle service manual.

👁 Note!

Ensure that the cartridge and bottom screw are correctly inserted in the fork leg.



MOUNTING INSTRUCTIONS

2.4 Fill Oil and Aerate the Cartridge Kit

See *Owner's manual chapter 2.1.*

2.5 Set the Oil Level

See *Owner's manual chapter 2.2.*

Recommended level see Setup data.

2.6 Install the Spring

See the Spring recommendation in this folder.

Install Pull up tool (01765-04) on top of the shaft extension. Install the spring, with the marking up, over the tool.

2.7

Install the guide sleeve and spring support over the tool.

2.8

Pull up the shaft assembly and grab the spring support with a 19 mm wrench (04705-03).

2.9

Make sure that the compression/rebound adjusters are fully open. Use a 3 mm Allen key. Remove the Pull-up tool (01765-04) and mount the top cap on the shaft extension. Use a 14 mm socket wrench. Tightening torque 30 Nm.

👁 Note!

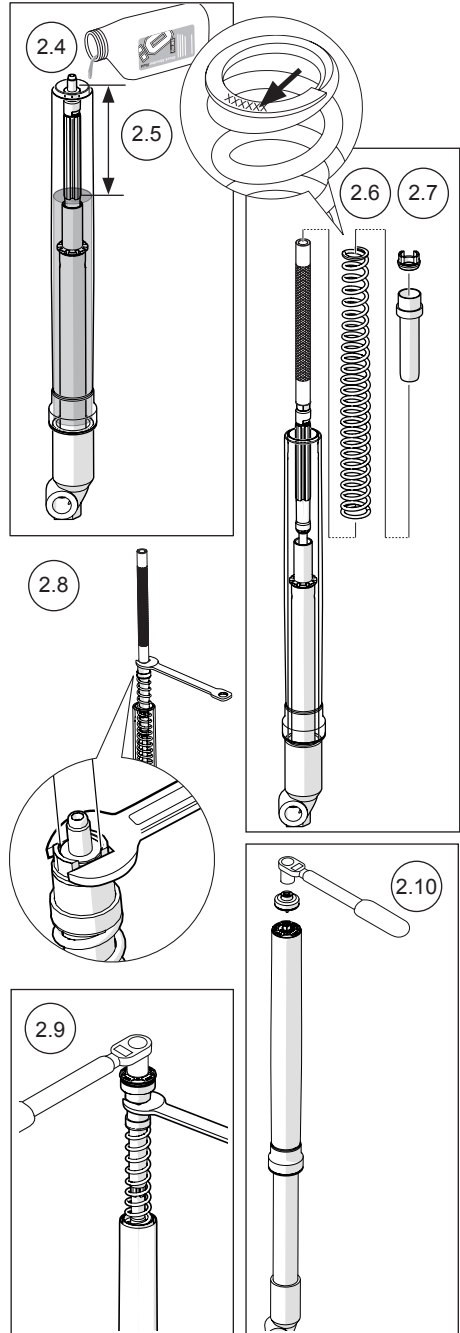
Ensure to install the cartridge top cap in the correct fork leg.

2.10

Make sure the fork leg is in a fully extended position. Pull up the outer tube. Use Sleeve pin tool (00797-08) to tighten the top cap to the outer tube. Tightening torque 10 Nm.

2.11

Set the compression, rebound and spring preload adjusters according to Setup data in this folder. How to adjust, see *Owner's manual chapter 4.*



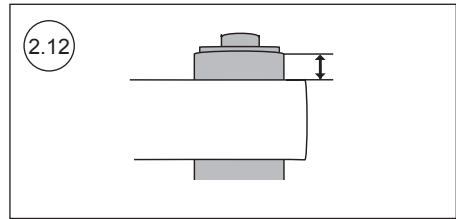
2.12

Install the front fork legs into the triple clamps at the recommended Fork leg position according to Setup data.

Tightening torque: According to vehicle service manual.

Note!

Measure the fork leg position from the upper triple clamp to the top of the outer tube.



2.13

Reinstall all removed parts in the same way as they were before the installation. See the vehicle service manual for correct procedure and torque specifications.


SETUP DATA

Compression	12	clicks
Rebound	12	clicks
Spring preload	0	mm/turns
Oil level	150	mm
Fork leg position	1,5*	mm
Öhlins Front Fork fluid	01309-	

* Standard fork leg position

SPRING RECOMMENDATION

Part No.	Spring rate N/mm
08418-55	5.5 <i>Recommended</i>
08418-60	6.0

 Öhlins products are subject to continuous improvement and development, therefore, although these instructions include the most up-to-date information available at the time of printing, minor updates may occur.

To find the latest information contact an Öhlins distributor. Please contact Öhlins if you have any questions regarding the contents in this document.

Part no. MI_FKA105_1
Issued 2014-03-17

© Öhlins Racing AB. All rights reserved. Any reprinting or unauthorized use without the written permission of Öhlins Racing AB is prohibited.

Öhlins Racing AB
Box 722
S-194 27 Upplands Väsby, Sweden
Phone +46 8 590 025 00
fax +46 8 590 025 80



www.ohlins.com